

## **PLEASE READ**

This manual is provided as a free service by Projector.com.

We are in no way responsible for the contents of the manual. We do not guarantee its accuracy and we do not make any claim of copyright. The copyright remains the property of their respective owners.

## **ABOUT PROJECTOR.COM**

Projector.com (<http://www.projector.com>) is your review and buying guide resource for DLP and LCD video projectors.

Visit the site to read the latest projector news and reviews, read and comment on projector specifications, download user manuals and much more.

# Table of Contents

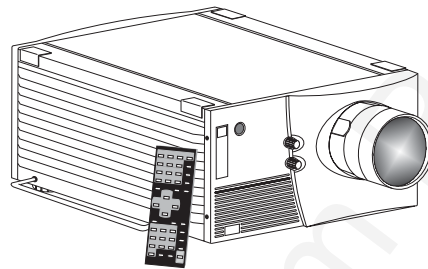
	Section	Contents	Page
<b>1</b>	<b>Introduction</b>	1.1 The Projectors.....	1-1
		1.2 Components .....	1-2
		1.3 Purchase Record and Warranty Registration.....	1-2
<b>2</b>	<b>Installation &amp; Setup</b>	2.1 Quick Setup.....	2-1
		2.2 Installation Considerations.....	2-3
		2.3 Projector Position and Mounting .....	2-10
		2.4 Source Connections .....	2-15
		2.5 Power Connection.....	2-24
		2.6 Operating Orientation .....	2-24
		2.7 Leveling .....	2-24
		2.8 Zoom, Focus & Lens Offset.....	2-25
		2.9 Serial Port Connections.....	2-27
		2.10 Keypad Protocols and Conversion.....	2-34
<b>3</b>	<b>Operation</b>	3.1 Overview.....	3-1
		3.2 Projector Basics .....	3-1
		3.3 Using the Keypad.....	3-4
		3.4 Navigating the Menus .....	3-14
		3.5 Using Inputs and Channels.....	3-18
		3.6 Adjusting the Image .....	3-24
		3.7 Configuring System Parameters .....	3-41
		3.8 Working With the Lamp .....	3-47
		3.9 Projector Status.....	3-50
		3.10 Using Multiple Projectors .....	3-51
		3.11 Error Conditions .....	3-54
<b>4</b>	<b>Maintenance</b>	4.1 Warnings and Guidelines .....	4-1
		4.2 Cleaning .....	4-3
		4.3 Replacing Keypad Batteries.....	4-3
		4.4 Replacing the Lamp and Filter.....	4-4
		4.5 Replacing the Lens.....	4-9
		4.6 Troubleshooting .....	4-12
<b>5</b>	<b>Specifications</b>	5.1 Specifications.....	5-1
<b>6</b>	<b>Appendices</b>	A Glossary .....	A-1
		B Keypad Reference .....	B-1
		C Menu Tree.....	C-1
		D Serial Communication Cables .....	D-1
		E Throw Distance.....	E-1
		F Optional Input Modules .....	F-1

NOTE: Due to continuing research, all information in this manual is subject to change without notice

# Introduction

## 1.1 The Projectors

The *Vista* and *Roadster* projectors are professional quality DMD™ projectors that use Digital Light Processing™ (DLP™) technology from Texas Instruments to achieve high-brightness multimedia and video projection. All models are compatible with standard international video formats and can interface with IBM®-compatible PC, Macintosh® computers and workstations. *Vista* models are ideal for mounting in



(Roadster model shown)

large audience venues in which there may be high levels of ambient light, such as in corporate boardrooms, auditoriums, and lecture halls. The *Roadster* offers this same high level of performance but with additional ruggedness enabling frequent transport, changing installations and easy stacking of multiple projectors. This robust projector is well-suited for use in outdoor stages and arenas. *Vista* and *Roadster* features include:

- ◇ Native resolution of 1024 x 768 (X models) or 1280 x 1024 (S models), scaleable
- ◇ Brightness (ANSI lumens, ±10%):
  - *Vista X3/S3* = 3000      • *Roadster X4/S4* = 4000 (note: *X4/S4* discontinued)
  - *Vista X5/S5* = 5000, *Roadster X6/S6* = 6000 (note: *Vista S5* discontinued)
  - *Roadster X9/S9* = 8500
- ◇ Contrast Ratio
  - *Vista X3/X5*, *Roadster X4/X6* = 300:1 ANSI, 500:1 full on/off
  - *Roadster X9* = 400:1 ANSI, 500:1 full on/off
  - *Roadster S9* = 400:1 ANSI, 800:1 full on/off
  - “S” models with 700W or 1200W lamp/power supply = 300:1 ANSI, 800:1 full on/off
- ◇ Smooth and versatile remote control of lens, with *Intelligent Lens System (ILS™)* for recall of lens settings from source-to-source (standard in *Roadster* only)
- ◇ Tandem horizontal and vertical sizing software control
- ◇ Independent vertical stretch for changing aspect ratios
- ◇ Keystone adjustment via menu option (“X” models only)
- ◇ Interchangeable lenses for diagonal screen sizes up to 40 or more feet
- ◇ Display of NTSC, PAL and SECAM video input
- ◇ Display from PCs, VCRs, laser disc players, video cameras, etc.
- ◇ Intuitive on-screen menus or hidden direct control with built-in or remote keypad
- ◇ Memory for up to 99 custom “channels” (source setups) accessible with keypad
- ◇ Controller and switcher compatibility
- ◇ Built-in RS-232 and RS-422 ports for computer control and networked projectors
- ◇ Remote-controlled shutter (optional in *Vista* models)
- ◇ Rugged functional design for harsh environments and secure handling (*Roadster*)
- ◇ Simple hardware option for hoisting and for stacking multiple projectors (*Roadster*)
- ◇ Modular design for easy servicing. Exterior panels of metal and polymer.

**How The Projectors Work**

*Vista* and *Roadster* accept data/graphics and video input signals for projection on to front or rear flat screens. High brightness light is generated by an internal Xenon arc lamp, then modulated by three DMD (digital micromirror device) panels that provide digitized red, green or blue color information. Light from the “on” pixels of each panel is reflected, converged and then projected to the screen through a single front lens, where all pixels are perfectly superimposed as a sharp full-color image.

**1.2 Components**

Included with *Vista* and *Roadster* is an infrared (IR) remote keypad, a power cord, a 9/64” hex socket ball driver, eyebolts (*Roadster* only) and a *Roadster/Vista User’s Manual*. Make sure that you received everything.

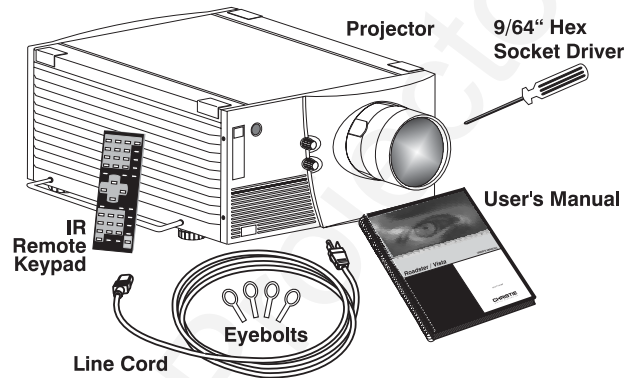


Figure 1.1. Components (SHOWN: *Roadster* WITH ADDED LENS)

**Differences Between *Roadster* and *Vista* Models**

	<b>Motorized Lens</b>	<b>Shutter</b>	<b>Audio</b>	<b>Handles &amp; Slot Covers</b>	<b>Stacking Slots</b>	<b>Eyebolts</b>
<i>Roadster</i>	U	U	discontinued	U	U	U
<i>Vista</i>	optional	optional	U	not available	not available	optional

U = Standard

**MODELS and AVAILABILITY:** The *Roadster* line and the *Vista* line both offer models differing in light output and/or image resolution. All combinations are documented in this manual, however the following models are no longer manufactured:

*Roadster X4 / S4*      *Vista S5*

**1.3 Purchase Record and Warranty Registration**

Whether the projector is under warranty or the warranty has expired, Christie’s highly trained and extensive factory and dealer service network is always available to quickly diagnose and correct projector malfunctions. Complete service manuals and updates are available to service technicians for all projectors.

Should you encounter a problem with the projector and require assistance, contact your dealer or Christie. In many cases, any necessary servicing can be performed on site. If you have purchased the projector, fill out the **Purchase Record** below and keep with your records. In addition, make sure to complete the Warranty Registration at the Christie website—this will ensure that you receive all future product communications promptly.

**Purchase Record**

Dealer:
Dealer Phone Number:
Projector Serial Number*:
Purchase Date:
Installation Date, if applicable:

\* NOTE: The projector serial number is located on the projector’s rear identification label



# Installation & Setup

This section explains how to install and set up the projector. If you are familiar with the projector and want to quickly set it up for temporary use, follow the *Quick Setup* instructions below. For a more complete setup, follow the instructions and guides covered in the remaining subsections. This section assumes that the video decoder is installed.

**NOTE:** *The lens is not installed for shipping. For instructions on how to install or replace a lens, refer to 4.5, Replacing the Lens.*

Follow these steps for quick setup of the projector in a standard floor mount position.

## 2.1 Quick Setup

### STEP 1 Position the Projector

Set the projector at the expected throw distance (projector-to-screen distance) and vertical position. See 2.3, *Projector Position and Mounting* and *Appendix E*. Make sure that the projector is level from side-to-side (see 2.7, *Leveling*).

### STEP 2 Connect a Source

Locate the main input panel at the rear of the projector. The lower left area, labeled **INPUT 1**, accepts an RGB input via BNC connectors. The upper right area (assuming a video decoder is installed) accepts a composite video at **INPUT 3** or S-video input at **INPUT 4**. Connect your source to the appropriate panel connectors.

### STEP 3 Connect the Line Cord to AC Power

Connect the projector's line cord to the AC receptacle at the lower right rear corner of the projector and to proper AC. Use the line cord provided with the projector (see *Section 5*).

Model	AC Power Required
X/S3 and X/S4	100-240 VAC, 50-60 Hz, max. 11.5 amps @ 100V
X/S5 and X/S6	200-240 VAC, 50-60 Hz, max. 8.5 amps @ 200V
X9/S9	200-240 VAC, 50-60 Hz, max. 12 amps @ 200V



### WARNING

Do not attempt operation if the AC supply and cord are not within the specified voltage and power range. See Section 5.

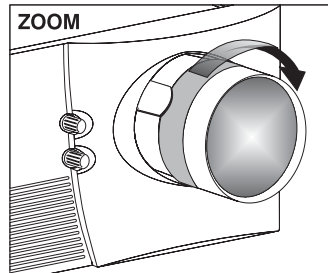
### STEP 4 Turn the Projector ON

Using either the built-in or remote keypad, press **Power\*** and hold for approximately 1 second to turn the projector on (or press **Power\*** **▲ON**). Let the projector warm up for about five minutes. The **POWER LED**, located in the lower right corner of the rear input panel, should glow a steady green.

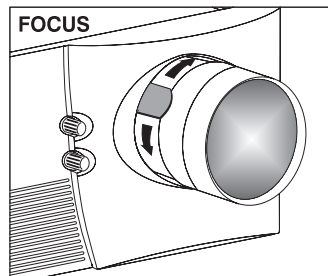
**STEP 5 Select a Source**

Using either the built-in or remote keypad, press **Input1**, **Input2**, **Input3**, or **Input4** to select and display the image for the source you connected in Step 2. The display will resize as needed, producing an image as large as possible for the type of source present.

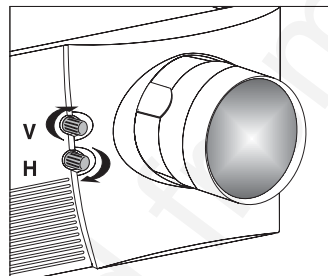
**STEP 6 Adjust Image (NON-MOTORIZED MODELS)**



- **ZOOM:** With the input image displayed, rotate the textured ring on the lens barrel to increase or decrease the image size (this requires a zoom lens). If you don't have a zoom lens or you can't adjust the image enough, the projector may not be positioned at the proper throw distance for your screen size. Power down, unplug the projector and move it towards or away from the screen. See 2.3, *Projector Position and Mounting* for details.



- **FOCUS:** At the lens opening, turn the focus tab to focus the image clearly.



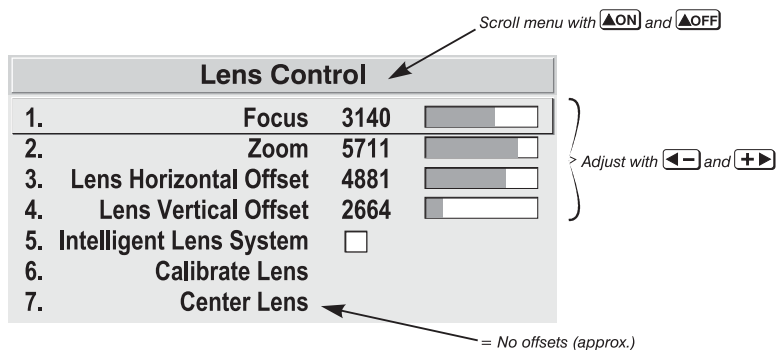
- **OFFSETS:** Turn either or both of the knobs adjacent to the lens if you need to align the image with your screen—turn the top knob to raise or lower the image, turn the bottom knob to shift the image left or right. Re-check focus.

- **OTHER:** Press **Menu** to refine other display parameters as described in Section 3.

**Adjust Image (MOTORIZED MODELS)**

*NOTE: Motorized lens controls are standard on Roadster models only.*

With the input image displayed, press **Lens** on any keypad.



**Figure 2.1. Motorized Lens Adjustments**

If you've just installed the lens, select "Calibrate Lens" before making any adjustments (see *Section 3* for details). Then, with the *Lens Control* menu displayed, use the keypad as shown in Figure 2.1 to focus the image clearly and, if a zoom lens is present, to increase or decrease image size. If desired, adjust horizontal and/or vertical offsets to shift the lens and image location—ranges are shown in 2.3, *Projector Position and Mounting*.

Press **Menu** to refine other display parameters, if necessary. See 3.5, *Using Inputs and Channels* if you want to work with other source inputs or defined channels.

You may want to reduce initial setup time by starting with an "Auto Setup". The projector will automatically optimize a variety of display settings according to the incoming source detected. You can then re-adjust these settings at any time, if desired.

**2.2 Installation Considerations**

**Lifting, Hoisting and Stacking**

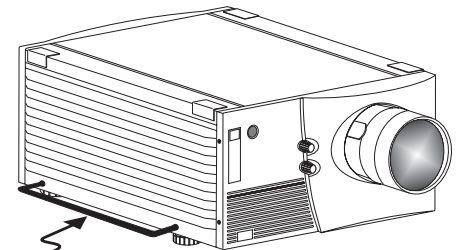
Although this projector delivers a high brightness quality output, final display quality could be compromised if the projector is not properly installed. This subsection discusses issues you should consider before proceeding with a final installation. Even if you do not intend to use the projectors in a fixed and permanent installation, this subsection will help you to better understand what you can do to enhance display performance.

For any new installation, you will likely have to safely lift or hoist the projector into place. Keep in mind the following guidelines for safety.

**Lifting**

The *Roadster* model includes a set of side handles for convenient brief hand transport, such as when a single projector is lifted or carried over short distances by 2 people, or for the addition of safety straps when hoisting (see *Hoisting*, below). Note that these handles are *not* intended to support the entire weight of the projector for extended periods of time, nor can a set of handles support the weight of more than a single projector. In particular, never hoist or suspend the projector from these handles alone.

*Vista* models do not have handles.



▲ Hand-carry 1 projector max. Use BOTH handles

**▲ WARNING ▲**

**Do not use the side handles to suspend the projector.**

**Hoisting**

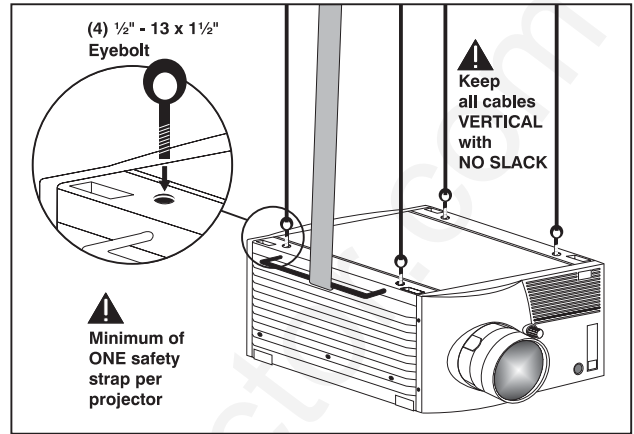
Safely hoisting the projector into place requires hoisting hardware available in a *Christie Hoisting/Stacking Kit* specially designed for the projector, as well as appropriate nylon webbed safety straps and rigging equipment. Never hoist a projector by its feet, handles or any other component (Figure 2.3).

**▲ IMPORTANT ▲**

**It is recommended that you remove the lens before hoisting a projector.**

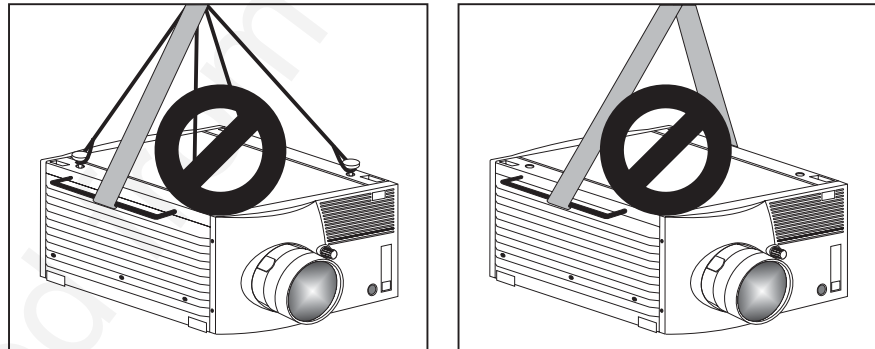
**TO HOIST INVERTED**

**Roadsters:** For one projector, remove the feet, insert 4 eyebolts provided and attach a hoisting/rigging frame that will enable cables to remain vertical at all times. Add safety strapping at the side handles before hoisting into place. Never hoist or suspend a projector if there is any slack in cabling or straps, and keep all cables in place for a “flown” installation. **NOTE:** Use straps and cabling with load capacity adequate for the projector weight. See



**Figure 2.2. Minimum Hoisting Configuration for One Projector (Roadster ONLY)**

**Section 5.** For a stack of two projectors, remove the small chrome cover near each corner of the lid, and install the threaded rods and heavy-duty eyebolt couplings provided in the *Christie Hoisting/Stacking Kit*. **NOTE: Follow all instructions provided with the kit.** Use a minimum of one safety strap per projector—i.e., if you are hoisting a stack of 2 projectors, both projectors *must* have their own safety strap attached. See Figure 2.5.



**Figure 2.3. Do not hoist by handles or feet. Do not angle cables or straps.**

**TO HOIST NON-INVERTED Roadsters:** You must use the hoisting hardware available in a *Christie Hoisting/Stacking Kit* specially designed for the projector—follow the instructions provide with the kit. Hoist with cabling and straps as described for inverted Roadsters, above.

**TO HOIST AN INVERTED or NON-INVERTED Vista:** Securely wrap hoisting cabling and safety straps around the whole projector. Attach to the proper Christie ceiling mount only—never suspend or “fly” this model.

**NOTE:** *Vista* models cannot use the *Christie Hoisting/Stacking Kit* for hoisting into place.

**Stacking**

See Figure 2.4. A maximum of 2 Roadster projectors can be safely secured together with the *Christie Hoisting/Stacking Kit* hardware—follow all instructions provided in the kit. For safety, one projector should never “rest” on another without the proper

stacking hardware (available separately) in place, firmly securing the projectors together. If you are hoisting a stack, secure a safety strap to at least one handle of *each* projector—keep the strap taut.

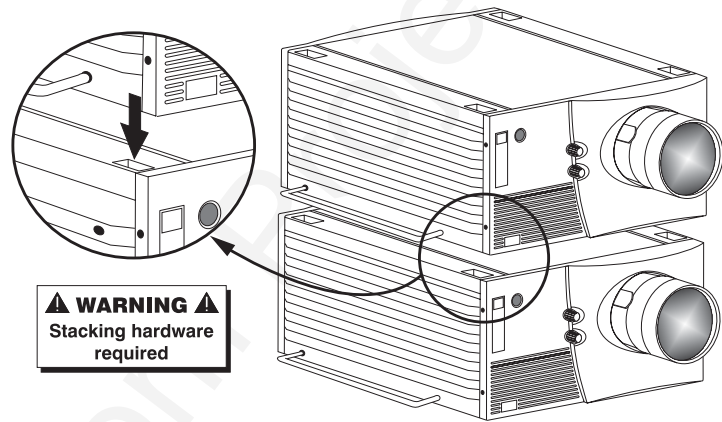
*NOTE: Vista models cannot be stacked.*

**⚠ WARNING ⚠**

**Do not stack projectors without using *Christie Hoisting/Stacking* hardware. The top projector could slide off and cause injury or death.**

**⚠ WARNING ⚠**

**Do not carry a stack.**



**Figure 2.4. Stacking (*Roadster* only). Requires optional hardware.**

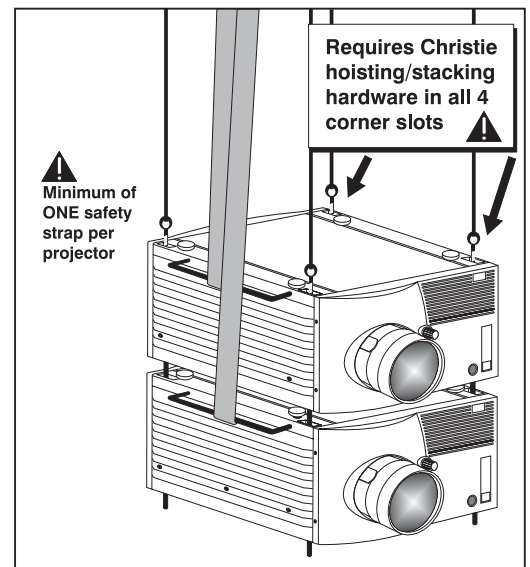
**⚠ WARNING ⚠**

**Do not invert only one projector within a stack.**

**TO HOIST STACKED *Roadsters*:** Secure the projectors together with *Christie Hoisting/Stacking Kit* hardware, following the instructions provided in the kit. Hoist with cabling and straps as described in *Hoisting*, above—make sure to use at least one safety strap on *each* projector in the stack. See Figure 2.5.

**⚠ WARNING ⚠**

**Use *Christie Hoisting/Stacking* hardware only.**



**Figure 2.5. Hoisting a Stack, Minimum Configuration (SHOWN INVERTED)**

**Installation Type**

Choose the installation type which suits your needs: front or rear screen, floor mount or inverted mount.

**Front Screen, Floor Mount Installation**

ADVANTAGES	CONSIDERATIONS
<ul style="list-style-type: none"> <li>• Easy to set up</li> <li>• Can be moved or changed quickly</li> <li>• Easy to access</li> </ul>	<ul style="list-style-type: none"> <li>• Shares floor space with audience</li> </ul>

**Front Screen, Inverted Mount (ceiling) Installation**

ADVANTAGES	CONSIDERATIONS
<ul style="list-style-type: none"> <li>• Does not take up audience space</li> <li>• Projector is unobtrusive</li> <li>• Projector cannot be accidentally moved</li> </ul>	<ul style="list-style-type: none"> <li>• Installation is more permanent</li> <li>• It is more difficult to access the projector</li> </ul>

**Rear Screen, Floor Mount Installation**

ADVANTAGES	CONSIDERATIONS
<ul style="list-style-type: none"> <li>• Projector is completely hidden</li> <li>• Projector is easily accessed</li> <li>• Usually good ambient light rejection</li> </ul>	<ul style="list-style-type: none"> <li>• Requires separate room</li> </ul>

**Rear Screen, Inverted Mount (ceiling) Installation**

ADVANTAGES	CONSIDERATIONS
<ul style="list-style-type: none"> <li>• Projector is completely hidden</li> <li>• Usually good ambient light rejection</li> </ul>	<ul style="list-style-type: none"> <li>• Requires separate room</li> <li>• Installation cost is usually higher</li> </ul>

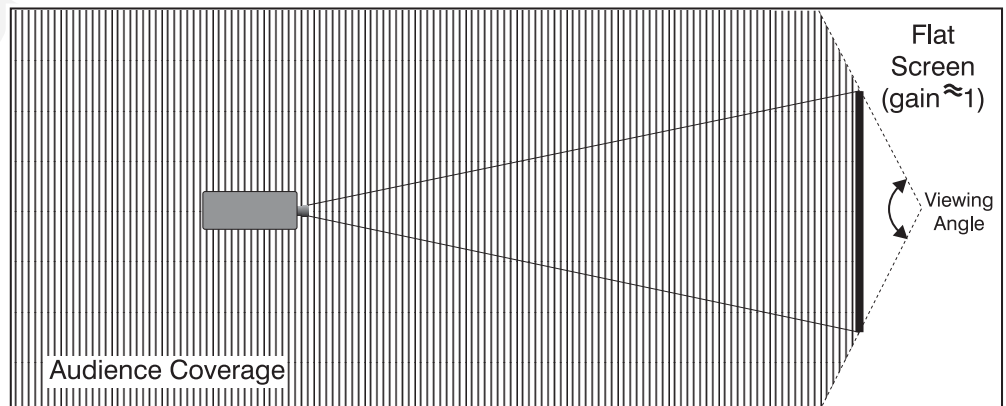
**Rear Screen, Floor Mount with Mirror**

ADVANTAGES	CONSIDERATIONS
<ul style="list-style-type: none"> <li>• Projector is completely hidden</li> <li>• Usually good ambient light rejection</li> <li>• Requires less space behind screen than other rear screen installations</li> </ul>	<ul style="list-style-type: none"> <li>• Requires separate room</li> <li>• Installation cost is usually higher</li> </ul>

**Screen Type**

**Front Screen Installations**

While there are two basic screen types, flat and curved, generally flat screens are recommended for this projector. Flat screens offer a gain of about 1 with a viewing angle just less than 180°. Incident light reflects equally in all directions so the audience can see the display from various angles. Because of the low gain, flat screens are most effective when ambient lighting is reduced, although this difference may be negligible given the high brightness output from this projector.



**Figure 2.6. Audience Coverage with Flat Screen**

*NOTE: Lenses for this projector are designed primarily for use with flat screens, but the projector depth-of-field range allows the lens to be focused on curved screens as well. While focus remains sharp in the corners, there may be significant pincushion distortion, primarily at the top of the screen.*

### **Rear Screen Installations**

There are two basic types of rear screens: diffused and optical. A *diffused* screen has a surface which spreads the light striking it. Purely diffused screens have a gain of less than 1. The main advantage of the diffused screen is its wide viewing angle, similar to that of a flat screen for front screen projection. *Optical* screens take light from the projector and redirect it to increase the light intensity at the front of the screen. This reduces it in other areas. A viewing cone, similar to that of a curved front screen installation, is created.

To summarize, optical screens are better suited for brightly lit rooms where the audience is situated within the viewing cone. Diffused screens may be better suited when a wide viewing angle is required but there is low ambient room lighting.

### **Screen Size**

Screen size may be from 5 to 40 feet diagonal, depending on the lens you are using. For instance, a 1.2:1 lens can produce a 5 to 25 foot image size, whereas a 4-7:1 zoom lens produces an 8 to 40 foot image size. Choose a screen size which is appropriate for your lens and application. Keep in mind that if the projector will be used to display text information, the image size must allow the audience to recognize all text clearly. The eye usually sees a letter clearly if eye-to-text distance is less than 150 times the height of the letter. Small text located too far from the eye may be illegible at a distance no matter how sharply and clearly it is displayed.

To fill a screen with an image, the aspect ratio of the screen should be equal to the aspect ratio of the image. The aspect ratio of an image is expressed as the ratio of its width to its height. Standard video from a VCR has a 4:3 aspect ratio. For example, to display a VCR output with a 4:3 aspect ratio onto a 10 foot (3m) high screen, the width of the screen must be at least 13.3 feet (4m).

### **Screen Aspect Ratio**

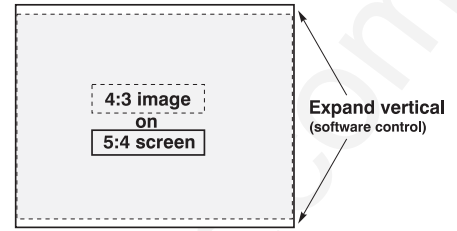
Aspect ratio describes the proportion of the screen and is expressed as the ratio of width to height, such as "4:3" or "5:4" (see right). Although image size and image aspect ratio can both be adjusted quickly through projector software, it is still a good idea to choose a *screen* aspect ratio which is most appropriate for your intended applications. Ideally, to exactly fill a screen with an image, the aspect ratio of the screen should correspond to the aspect ratio of the image, which depends on the source in use. For example, standard video from a VCR has a 4:3 ratio (approximately), whereas a high resolution graphics signal typically has a 5:4 aspect ratio. By default, images from your projector will be as large as possible and, with the exception of graphics sources, will maintain their aspect ratio.

*NOTE: With a few exceptions, sources with less than 1280 x 1024 resolution have a 4:3 aspect ratio. The normal aspect ratio for 1280 x 1024 sources is 5:4.*



**Using a 5:4 Screen with “S” Models**

With one exception, XGA images will—by default—resize to fill an SXGA screen with “S” models. The exception (illustrated in Figure 2.7) is that video signals will retain their aspect ratio—fill the screen by increasing *Vertical Stretch* to slightly expand the image to the top and bottom edges of the screen. For details, see 3.6, *Adjusting the Image*.

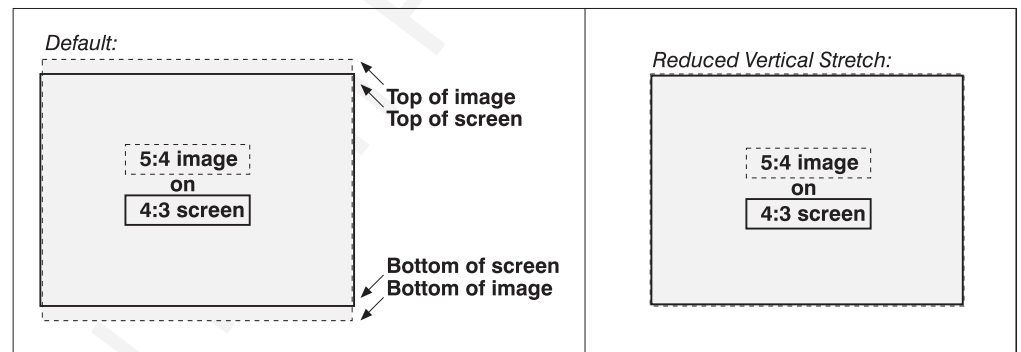


**Figure 2.7. Adjusting a 4:3 Video Image**

**Using a 4:3 Screen with “S” Models**

If you are using a 4:3 screen with “S” models (which produce 5:4 images), images will—by default—slightly overlap the screen vertically. To remedy, reduce *Vertical Stretch* so that the “too tall” 5:4 image no longer spills over the top or bottom of the screen (Figure 2.8). This control eliminates the need for simply moving the projector farther from the screen, which would result in black borders for all sources. See 3.6, *Adjusting the Image*.

*NOTE: The Vertical Stretch adjustment may soften the image slightly, but is not noticeable in most cases.*



**Figure 2.8. Using a 4:3 Screen for a mix of 5:4 and 4:3 sources (“S” models)**

**Ideal Room Lighting**

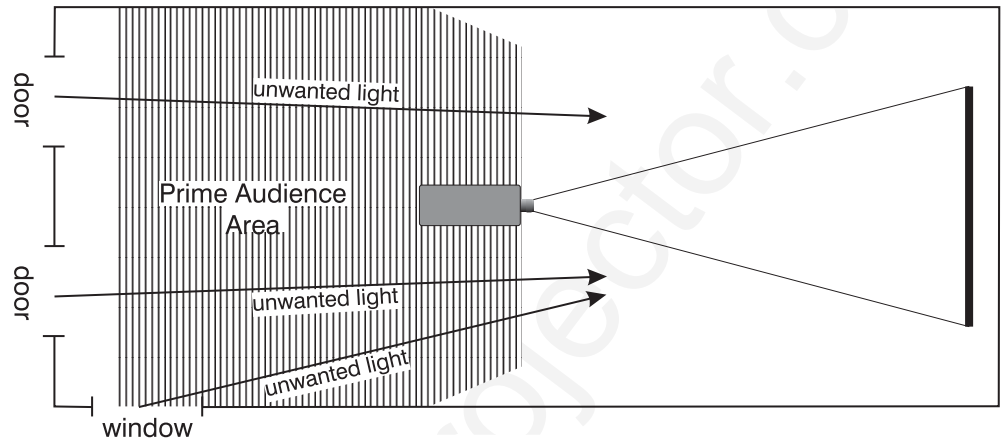
The high brightness output of this projector is certainly well suited for locations where ambient lighting is less than optimum for projection, yet there are still many simple things you can do to optimize your installation.

Visiting a movie theater can give you an idea of what makes an ideal projection environment. Walls, floors and furnishings are dark and matte finished. A projection room should not have white reflective ceilings or non-directional lighting such as fluorescent lights. The white ceiling spreads light, making the room appear brighter. Keep lighting and reflections to a minimum.

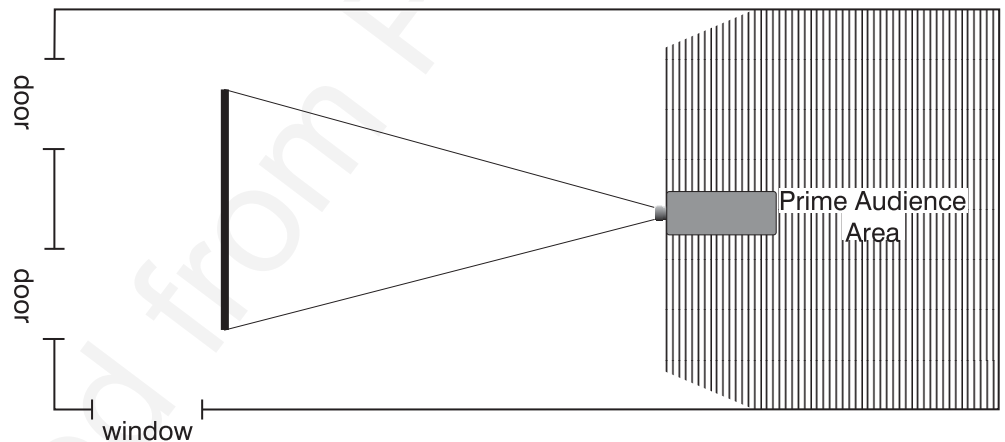
If it is not possible to eliminate fluorescent lights, consider using incandescent spot lighting or parabolic reflectors (“egg crates”) to direct light down to the floor. Light dimmers or rheostats allow further control.

Outside windows are undesirable in any projection room. A small crack between curtains on a sunny day can wash out a projected image. If you do have windows, make sure that window coverings are opaque and overlapping — some window coverings are designed to provide up to 100 percent blockage of outside light. Ideally, the material should have a matte finish.

To minimize the effects caused by unwanted light from door and aisle ways, carefully choose the position of your projector and screen. Figure 2.9 shows an installation where poor screen placement allows too much unwanted light to enter the screen. In Figure 2.10, screen and the projector are positioned so that unwanted light is minimized.



**Figure 2.9. Poor Screen Placement**



**Figure 2.10. Better Screen Placement**

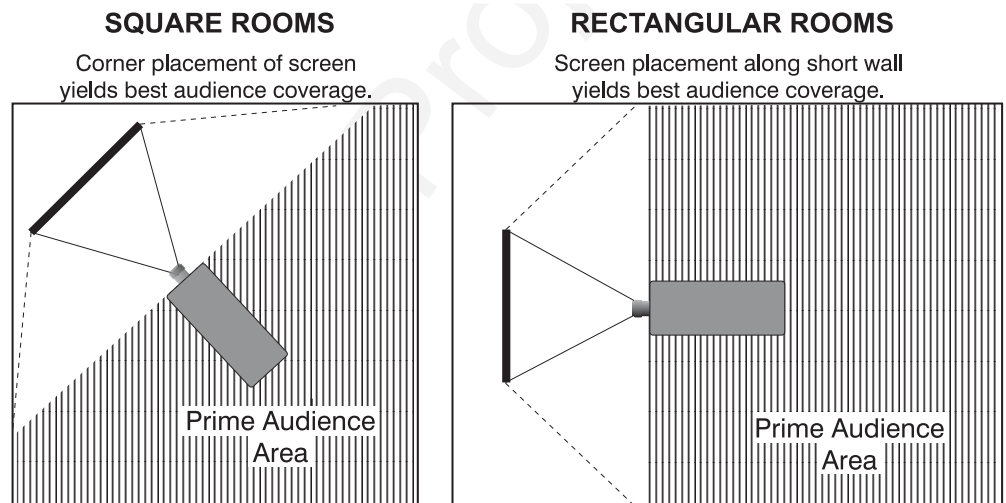
Even with all lighting removed it is still possible that room reflections within the room can slightly degrade the image. Light from the projection screen should be absorbed by the ceilings, walls and floors so that it will not be reflected back to the screen. Again, keep reflective surfaces to a minimum.

**Other Considerations**

Here are some other considerations and tips which can help you improve your installation:

- Ventilation is an important factor when preparing a projection room. The ambient temperature should be kept constant and below 35°C (95°F). Keep the projector away from heating and/or air conditioning vents. Changes in temperature can cause drifts in the projector circuitry which may affect performance.
- Keep the projector away from devices which radiate electromagnetic energy such as motors and transformers. Common sources of these are slide projectors, speakers, power amplifiers, elevators, etc.

- For rear screen applications, less space is required if a mirror is used to fold the optical path.
- Choose the right screen size for the application:
  - ◊ As screen size increases, magnification increases and reduces brightness. Select a screen size which is appropriate for the venue, but not larger than that required.
  - ◊ Installing a large screen in a small room is similar to watching television close up; too large a screen can overpower a room. A good rule of thumb is to be no closer than 1.5 times the width of the screen.
  - ◊ Larger screens require greater attention to lighting conditions.
- When laying out the projection room, consider positioning the projector and screen in a manner which will achieve maximum audience coverage and space efficiency. For example, placing the screen along the larger wall in a rectangular room will reduce audience coverage. Figure 2.11 shows two examples of how audience coverage is maximized.



**Figure 2.11. Screen Locations for Maximum Audience Coverage**

### 2.3 Projector Position and Mounting

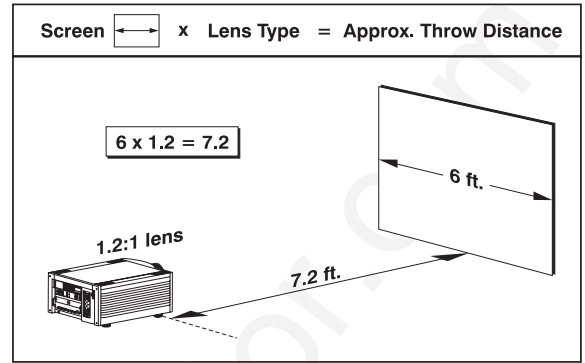
Installation type, screen type, and lighting all affect where the projector is positioned. In addition, both throw distance (the distance between the projector and screen) and vertical position (the height of the projector in relation to the screen) must be determined for every new installation. Both depend on the screen size and lens type you are using. Make sure that the room can accommodate the required position of the projector for the chosen screen size.

#### **Throw Distance**

Throw distance is the distance between the projector's front feet and the screen. For any installation, an accurate throw distance must be determined in order for the image to be of the right size for your screen—the farther the projector is from the screen, the larger the image.

*NOTE: If your projector is tilted in relation to the screen, as is sometimes the case for large venues or elevated installations, throw distance still represents the smallest measurement between the screen and front feet.*

Throw distance is roughly equal to the horizontal width of the screen multiplied by the type of lens you are using. For example, if you are using a 0.8:1 lens, proper throw distance will be approximately 0.8 x the screen width. Once you know your screen size and lens, you can estimate throw distance needed (see example in Figure 2.12).



**Figure 2.12. Estimating Throw Distance (SEE APPENDIX E)**

**IMPORTANT:** For proper placement in an installation, always refer to the throw distance formula and/or graph for your lens as listed in Appendix E. Keep in mind that due to lens manufacturing tolerances for lens focal length, actual throw distance can vary  $\pm 5\%$  between lenses described as having the same throw ratio.

**Vertical & Horizontal Position**

**THE VERTICAL POSITION** of the projector in relation to the screen also depends on the size of the screen and the lens type. Correct vertical position helps ensure that the image will be rectangular in shape rather than keystone (having non-parallel sides) and that image focus and brightness both remain optimized.

In addition, vertical position of the image can be offset—that is, moved up or down—either by turning the top knob on the front of the projector (the one nearest to the IR sensor) in non-motorized projectors, or through software in motorized projectors. Offsets range up to 130%, depending on the specific lens, whether it is motorized or not, what amount of zoom is in effect and whether or not you are also offsetting horizontally.

See Table 2.1 for the maximum percentage of the image that can be displayed above or below the center of each type of motorized lens. These image offsets are also illustrated in Figure 2.13.

*NOTE: Shown are approximate motorized offset ranges—manual offsets may differ.*

**Table 2.1. Maximum % of Image Offset from Lens Center**

Lens Type	Max. Recommended Image Offset	
* 0.8:1	↑91%	↓100%
1.2:1	↑104%	↓100%
1.5 - 2.2:1	↑128%	↓100%
2.2 - 4:1	↑128%	↓100%
* 2.5 - 4:1	↑123%	↓100%
4-7:1	↑130%	↓100%
* 4-7:1	↑114%	↓100%

\* NOTE: VistaGRAPHX lens. Threaded lens adapter required.  
 Motorized ZOOM feature is not available for VistaGRAPHX lenses.  
 The 0.8:1 lens is not recommended for use in "S" models.

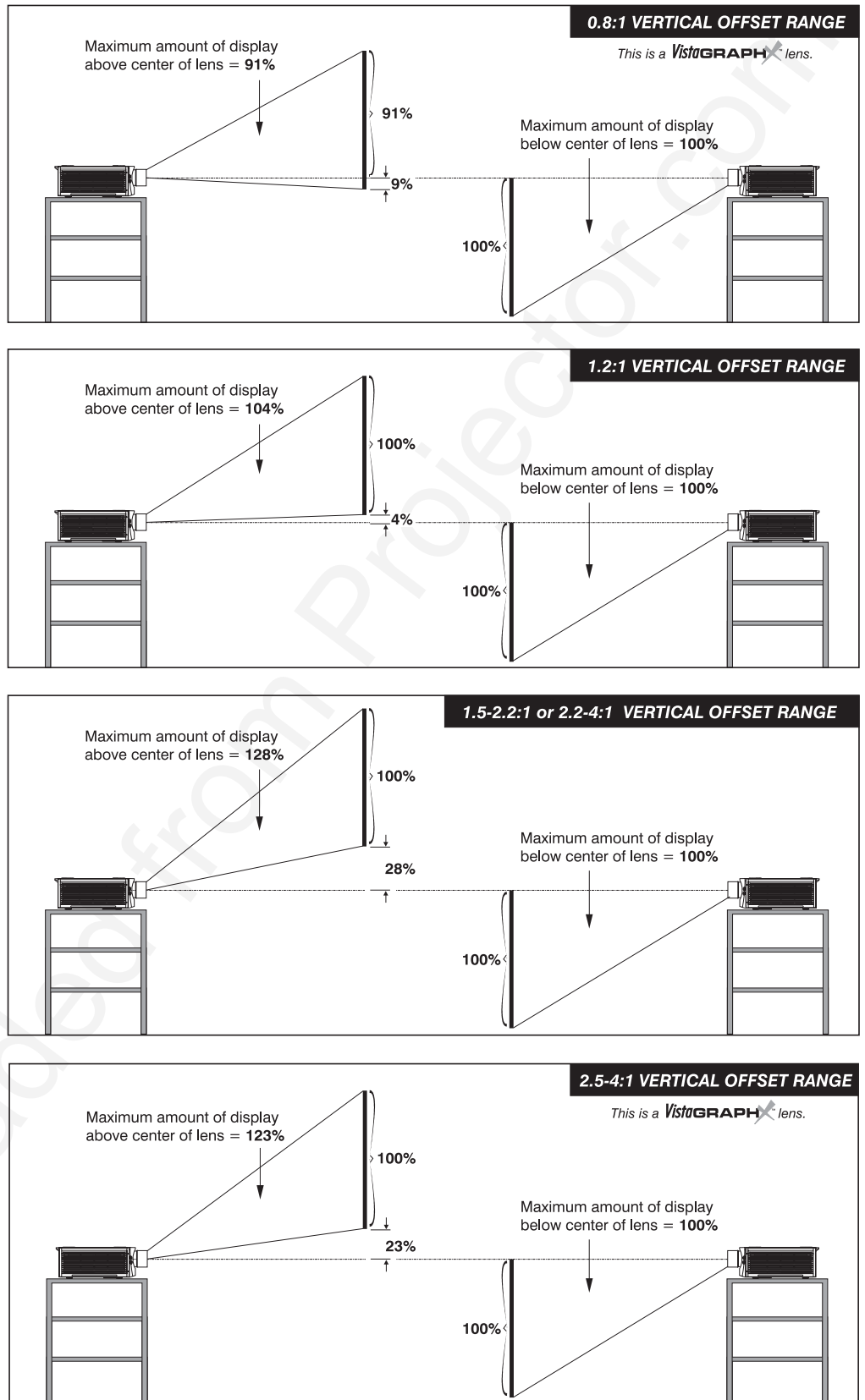


Figure 2.13. Maximum Vertical Offsets  
 Continued...

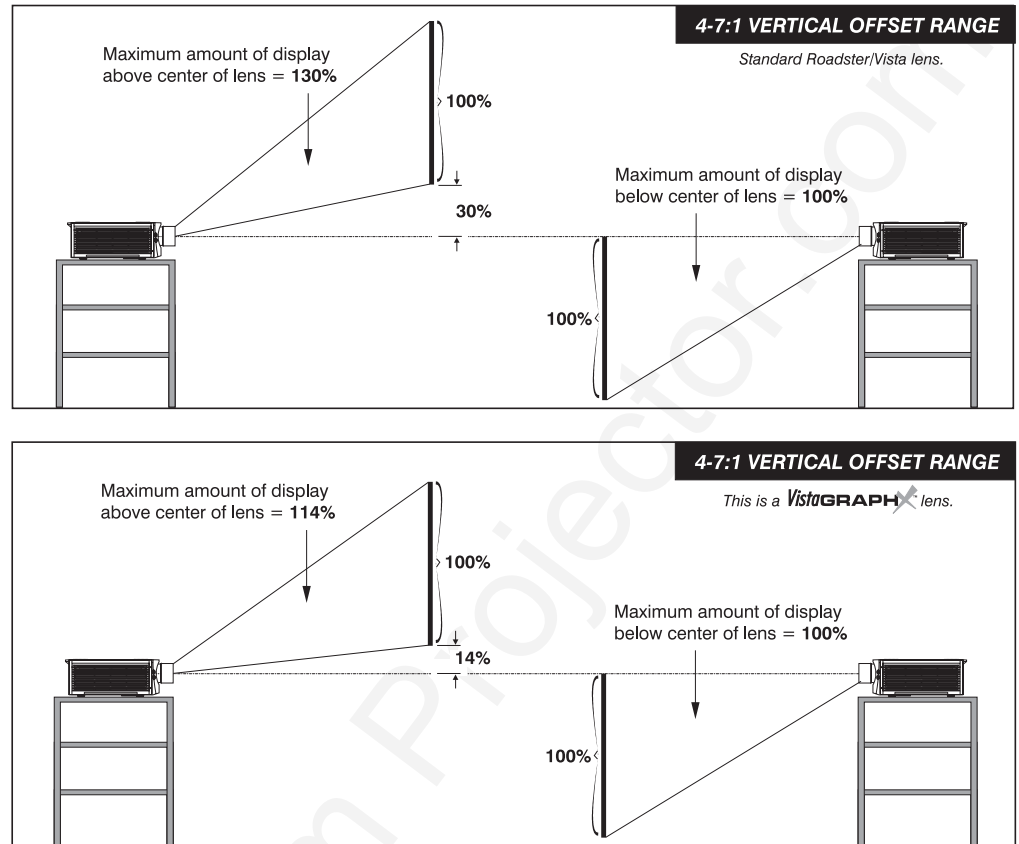


Figure 2.13. Maximum Vertical Offsets, Continued (ALL LENSES)

**NOTES:** 1) If you cannot raise or lower the image enough using mechanical vertical offsets, try adjusting **V-Position** in the **Size and Position** menu (see 3.6, **Adjusting the Image**). 2) If the image becomes keystone or exhibits uneven brightness, the projector may simply be too high or low in relation to the screen. 3) Recommended offset ranges can be exceeded, however this may affect image quality. 4) Simultaneous **horizontal** and **vertical** offset limits the adjustment range of each.

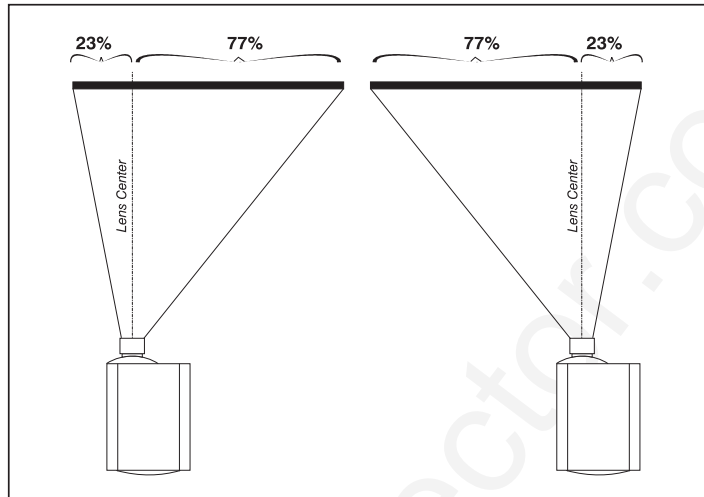
**NOTES FOR ALL LENSES:**

Maximum optical performance is produced at **NO** offset (i.e., when the image centered with lens) and minimum zoom. Geometry, focus and light output will all be optimized.

Offset ranges are reduced when offsetting in both horizontal and vertical directions simultaneously.

For inverted projectors, invert the Vertical Offset illustrations.

**THE HORIZONTAL POSITION** of the image can be offset—that is, shifted left or right of lens center—either by turning the bottom knob on the front of the projector (the knob farthest from the IR sensor) in non-motorized projectors or through software in motorized projectors. The maximum horizontal offset for lenses that can be installed in this projector is shown in Figure 2.14. This value expresses the maximum percentage of the image that can be projected to one side of the lens center (roughly 77%, depending on the lens).



**Figure 2.14. Maximum Horizontal Offsets (ALL LENSES)**

**Mounting**

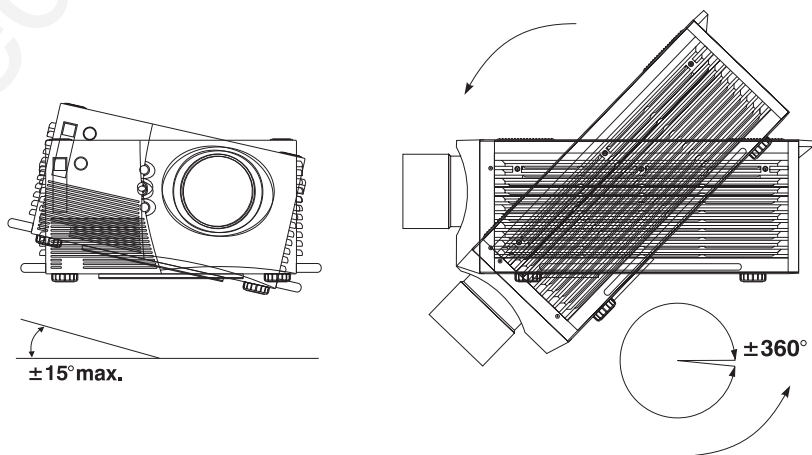
For typical front or rear floor mounts, mount the projector on a secure table or cart. Take care with a mobile cart—avoid sudden stops, excessive force and uneven surfaces that may cause the projector and cart combination to overturn.



The table or cart should be reasonably level. Fine adjustments to the projector level can be made by adjusting the height of the projector legs; refer to 2.7, *Leveling* for details.

**Special Mounting**

Note that projector can be rotated and mounted at any vertical angle—i.e., you can tilt the face of the projector up or down as much as desired for your installation. The side-to-side tilt, however, must not exceed 15°. This limit ensures that the arc lamp in the projector operates properly and safely. Always make sure that exhaust air from the projector does not vent towards the lens, otherwise you may detect heat waves in your projected image.



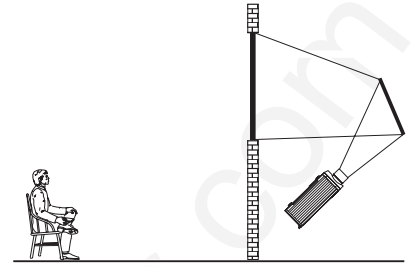
**Figure 2.15. Horizontal and Vertical Tilt Ranges**

You must use the proper ceiling mount fixture or stacking kit for your projector. For more information, contact your dealer.



**Folded Optics**

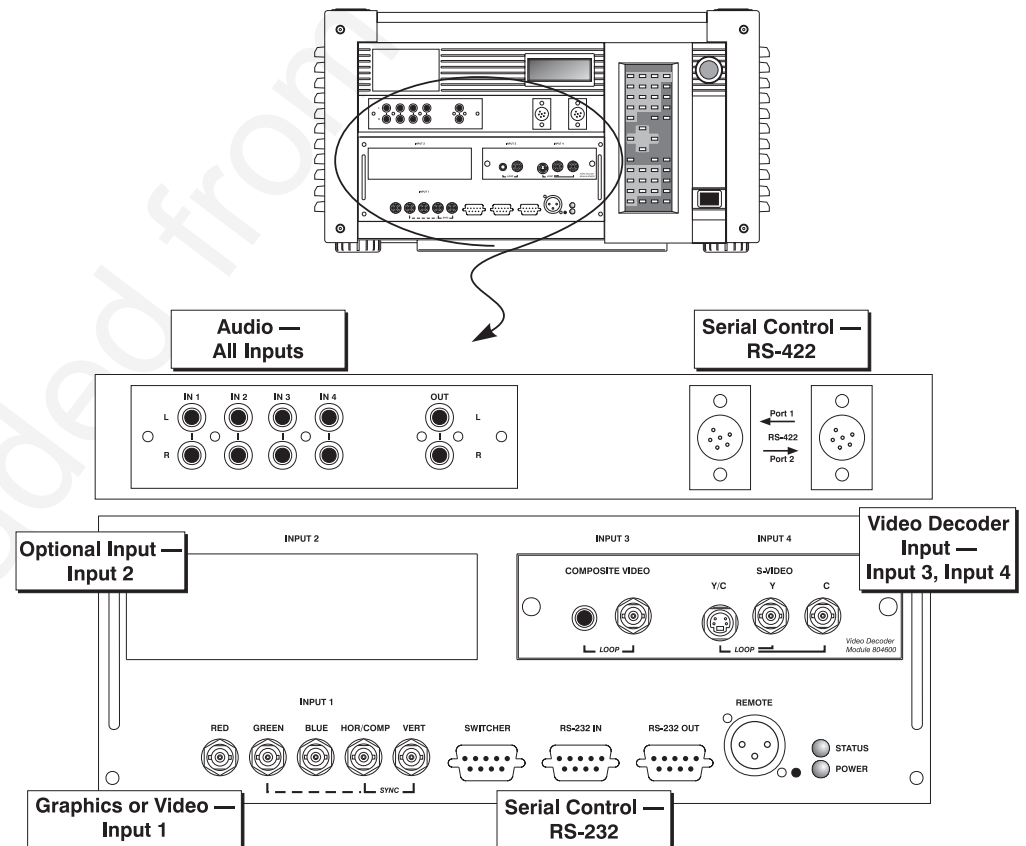
In rear screen applications where space behind the projector is limited, a mirror may be used to fold the optical path. See right. The position of the projector and mirror must be accurately set—if considering this type of installation, call your dealer for assistance.



**2.4 Source Connections**

The rear panel of the projector provides standard input panels to which you may connect a variety of sources. See Figure 2.16—the lower left area (**INPUT 1**) typically accepts an *RGB signal* from an external RGB source, or it can also be used for YPbPr signals or additional video sources. The upper right panel—the *Video Decoder Module*—accepts only *composite video* at **INPUT 3** or *S-video* at **INPUT 4** from devices such as VCRs, laser disk players or DVD players. There are also several optional interfaces available for connecting other sources at **INPUT 2**. Such an option installs in the upper left area, just below the audio connectors (if present). For any input, including the optional inputs, audio with loop through connects at the audio input panel located between the license label area and **INPUT 2** (audio is standard on *Vista* only).

*NOTES: 1) Audio connectors are standard on Vista models only. 2) For all connections to the projector, use only high-quality shielded cables.*



**Figure 2.16. Rear Connector Panel**

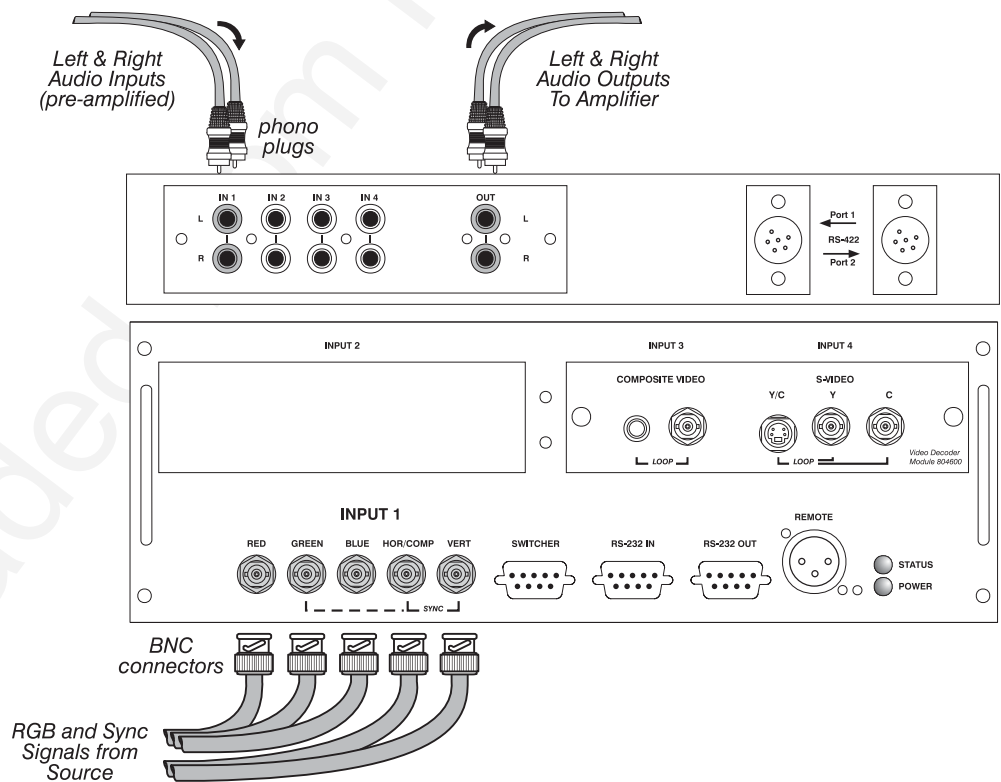
**RGB Signals**

**INPUT 1** provides 5 BNCs (connectors) for linking to a variety of sources, typically to an RGB source such as VGA, SVGA, XGA, Mac, PowerMac, DEC, Sun, SGI and others. This projector supports multiple sync types with RGB signals: sync-on-green, composite sync, and separate H & V syncs.

*NOTE: Depending on the source, you may need a custom adapter cable with BNC connectors at the projector end and a different type of connector at the other (such as a 15-pin "D" connector for computer sources). Contact your dealer.*

Connect the **SYNC** BNC input(s) first. Then connect the red, green and blue source outputs to the **RED**, **GREEN**, and **BLUE** BNCs on the **INPUT 1** panel. If the source uses sync-on-green, only the red, green, and blue connections are required. If the source provides a composite sync output, connect it to the **SYNC** input labeled **HOR/COMP**. If the source provides separate horizontal and vertical sync outputs, connect horizontal sync to the **SYNC** input labeled **HOR/COMP** and connect vertical sync to **SYNC** input labeled **VERT**. See Figure 2.17.

*NOTES: 1) If for some reason the projector fails to recognize as an RGB signal, specify this **Color Space** option within the **Image Settings** menu. See 3.6, **Adjusting the Image**. 2) To connect YPbPr signals—such as from DVD or analog HDTV sources—to **INPUT 1**, use the red, green and blue BNCs as described in **YPbPr Signals** later in this section.*

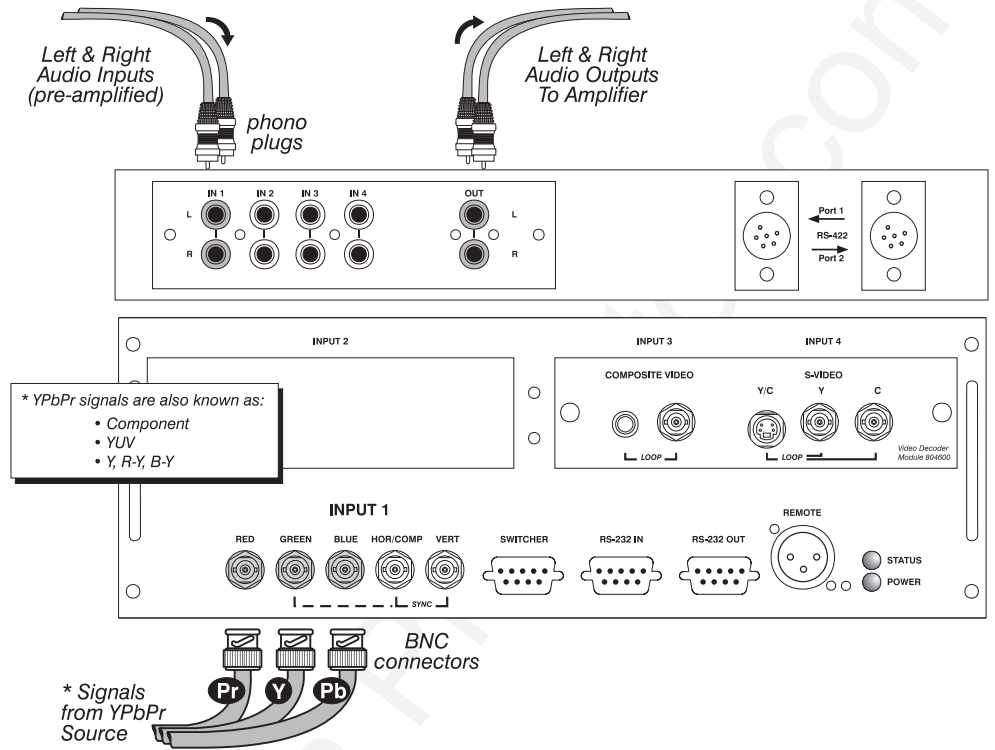


**Figure 2.17. Connecting RGB Input**

**AUDIO for INPUT 1 (STANDARD ON VISTA ONLY):** To control audio levels in an audio/visual system, connect pre-amplified (line level) audio inputs to the **"IN 1"** left and right channel audio inputs located near the top left corner of the rear input panel. Then connect external audio amplification equipment to audio **"OUT"** for sound output. Audio connection cables require standard RCA type phono plugs.

**YPbPr Signal  
(COMPONENT VIDEO)**

Connect a YPbPr signal (*component video*) to **INPUT 1** as shown in Figure 2.18.



**Figure 2.18. Connecting YPbPr Signal**

**NOTES:** 1) If, for some reason, the projector fails to recognize a YPbPr signal, specify this **Color Space** option within the **Image Settings** menu. See 3.6, **Adjusting the Image**. 2) Do not connect digital component signals (known as YCbCr) to **INPUT 1**. Use the appropriate digital interface installed at **INPUT 2**.

**AUDIO for INPUT 1 (STANDARD ON VISTA ONLY):** To control audio levels in an audio/visual system, connect pre-amplified (line level) audio inputs to the “**IN 1**” left and right channel audio inputs located near the top left corner of the rear input panel. Then connect external audio amplification equipment to audio “**OUT**” for sound output. Audio connection cables require standard RCA type phono plugs.

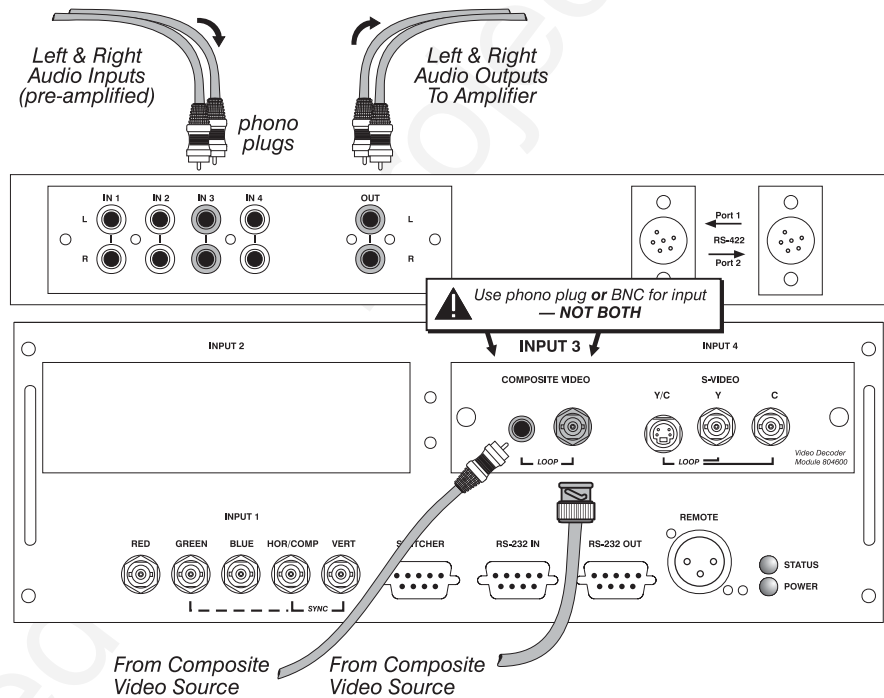
**Composite Video**

The video decoder input panel provides simultaneous connection of both a composite video source (**INPUT 3**) and an S-Video source (**INPUT 4**).

If connecting a composite video source, use the Composite BNC connector *or* the RCA phono jack at **INPUT 3**—do not use both as inputs. See Figure 2.19.

**AUDIO for INPUT 1 (STANDARD ON VISTA ONLY):** To control audio levels in an audio/visual system, connect pre-amplified (line level) audio inputs to the “**IN 3**” left and right channel audio inputs located near the top left corner of the rear input panel. Then connect external audio amplification equipment to audio “**OUT**” for sound output. Audio connection cables require standard RCA type phono plugs.

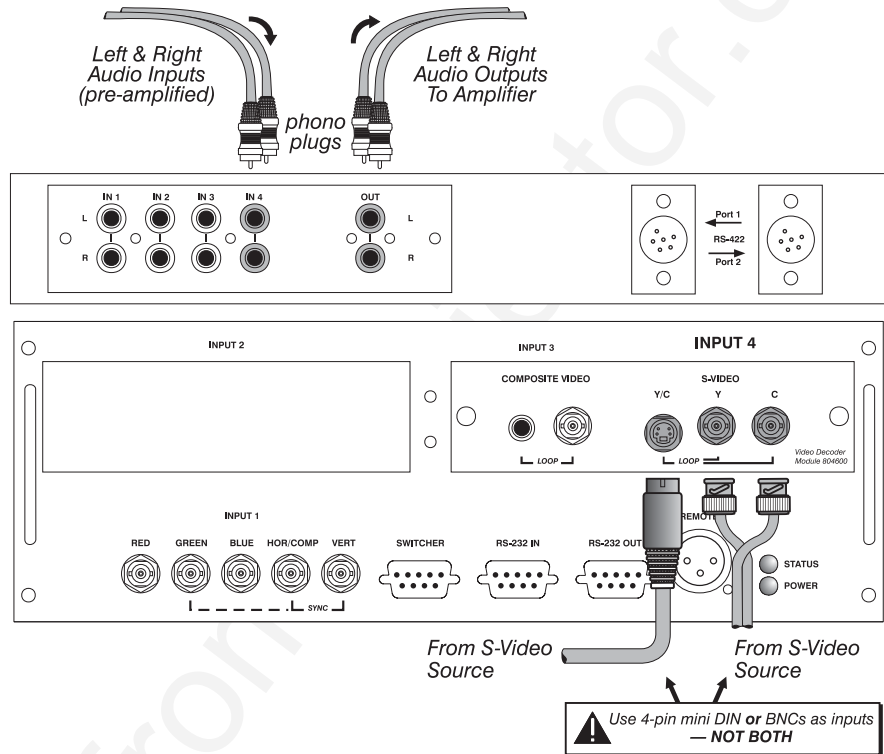
*NOTE: If you want to loop a composite signal through to another projector or display device, see **Video Loop Through** later in this section.*



**Figure 2.19. Connecting Composite Video**

**S-Video** The video decoder input panel provides simultaneous connection of both a composite video source (**INPUT 3**) and an S-Video source (**INPUT 4**).

If connecting an S-Video source, use the 4-pin mini DIN connector *or* the Y and C BNC connectors (luma and chroma) at **INPUT 4**—do not use both as inputs. See Figure 2.20.



**Figure 2.20. Connecting S-Video**

**AUDIO for INPUT 1 (STANDARD ON VISTA ONLY):** To control audio levels in an audio/visual system, connect pre-amplified (line level) audio inputs to the “**IN 4**” left and right channel audio inputs located near the top left corner of the rear input panel. Then connect external audio amplification equipment to audio “**OUT**” for sound output. Audio connection cables require standard RCA type phono plugs.

**NOTE:** If you want to loop an S-video signal through to another projector or display device, see **Video Loop Through** below.

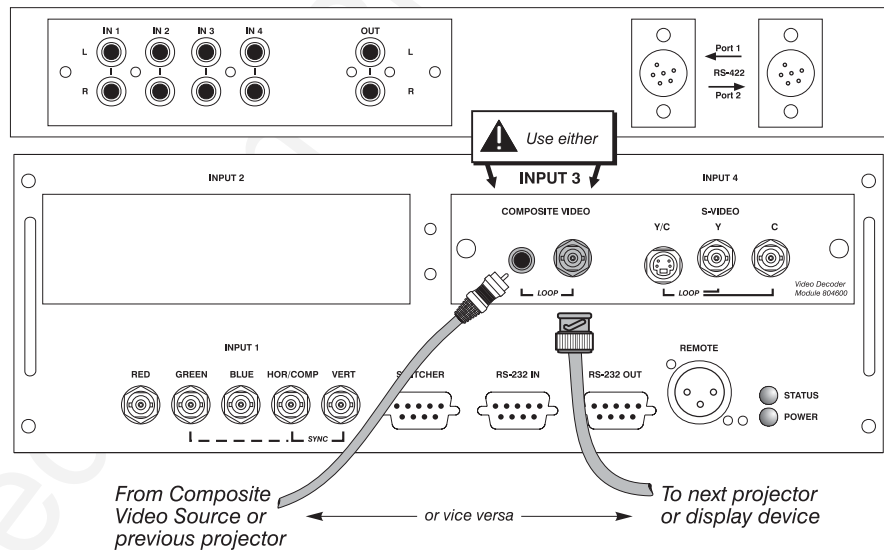
**Video Loop Through**

To loop a single incoming video signal input (connected at the video decoder) through to another projector or display device, use the empty connector(s) adjacent to this same input as described below.

**Composite Video Loop Through**

**CONNECTIONS:** See Figure 2.21. From your source, connect a composite video signal to **INPUT 3** using either the small phono plug or the adjacent BNC. Connect a second cable from whichever **INPUT 3** connector is free to one of the composite video inputs of the next display device or projector. Continue this looping method for each projector, using either the phono plug or the adjacent BNC as input into **INPUT 3**, then using the other connector as an output (i.e., loop through). Whether you use the BNC or the phono plug as input or output depends on the type of cable you have on hand and what type of connectors are on each end. If desired, connect one audio signal to any projector as usual (audio is standard on *Vista* models only).

**VIDEO TERMINATION:** In *Image Settings / Video Options* control, make sure “Video Termination” is checked for the final projector **only**. All other projectors must have this option unchecked in order for the signal to continue. For other types of display devices in the chain, typically a “Hi-Z” switch position is needed.

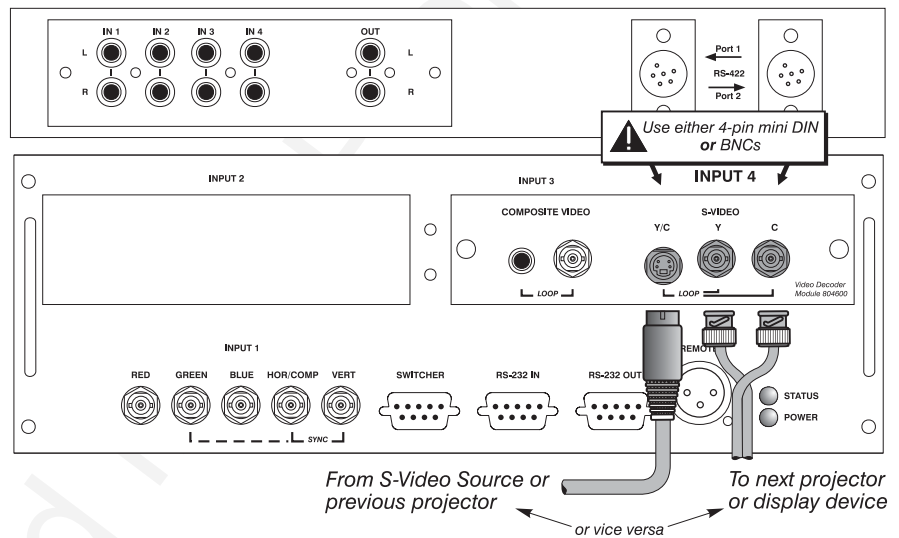


**Figure 2.21. Connections for Composite Video Loop Through**

**S-Video Loop Through**

**CONNECTIONS:** See Figure 2.22. From your source, connect an S-video source signal to **INPUT 4** using either the 4-pin mini DIN or the 2 adjacent BNCs labeled Y and C. Connect a second cable from whichever **INPUT 4** connector is free to one of the S-video inputs of the next display device or projector. Continue this looping method for each projector, using either 4-pin mini DIN or the 2 adjacent BNCs as input into **INPUT 4**, then using the other connector(s) as an output (i.e., loop through). Whether you use 4-pin mini DIN or the 2 adjacent BNCs as input or output depends on the type of cable you have on hand and what type of connectors are on each end. If desired, connect one audio signal to any projector as usual (audio is standard on *Vista* models only).

**VIDEO TERMINATION:** In the *Image Settings / Video Options* control, make sure “Video Termination” is checked for **only** the final projector. All other projectors must have this option unchecked in order for the signal to continue. For other types of display devices in the chain, typically a “Hi-Z” switch position is needed.

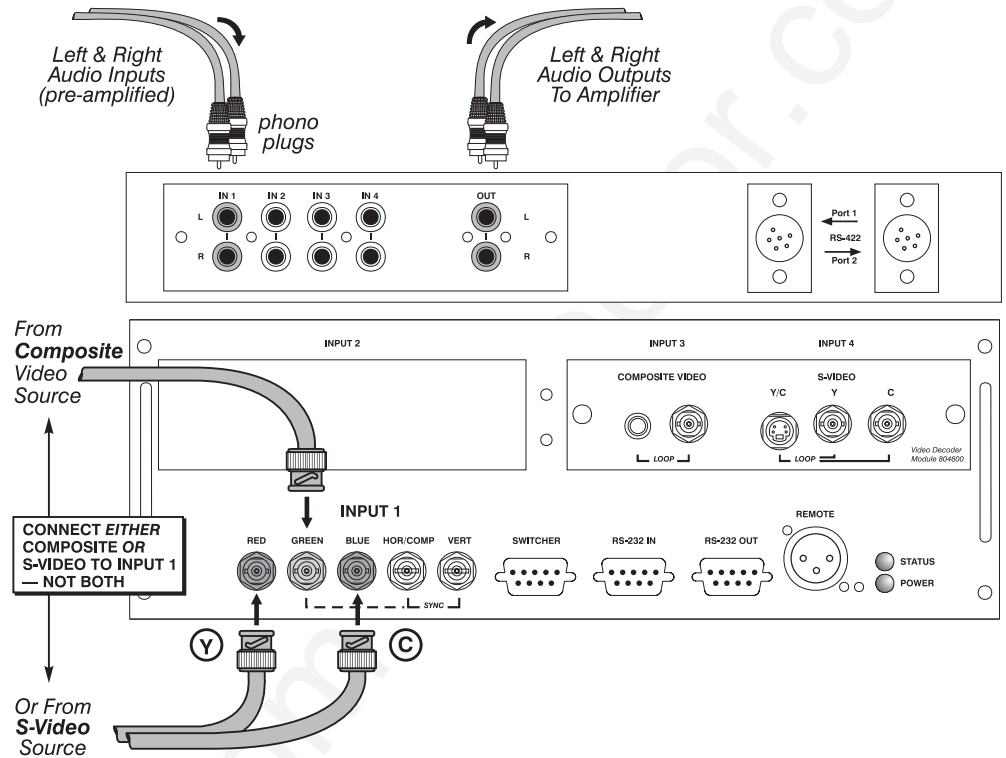


**Figure 2.22. Connections for S-Video Loop Through**



**Extra Video**  
**– COMPOSITE OR S-VIDEO**

If you want to use an extra video source in addition to the video source(s) connected at **INPUT 3** or **INPUT 4** connect either a Composite or S-Video source to **INPUT 1** as shown in Figure 2.23. Do not connect both types here simultaneously. *NOTE: For additional video inputs, install an optional Composite/S-Video Input Module at **INPUT 2**.*



**Figure 2.23. Connecting an Extra Video Source to Input 1**

**Optional Inputs**

Optional modules from Christie allow you to increase your total number of inputs and/or accommodate different signal types, whether analog or digital. Any one of these modules can be installed in the area labeled **INPUT 2**. They include:

- RGB 500 Input Module
- RGB 400 Active Loop Thru Input Module
- RGB 400 Buffered Amplifier Input Module
- Composite/S-Video Input Module
- PC250 Analog Input Module
- Serial Digital Input Module
- Digital HDTV Input Module
- DVI Input Module (*originally DVI / DFP Input Module*)

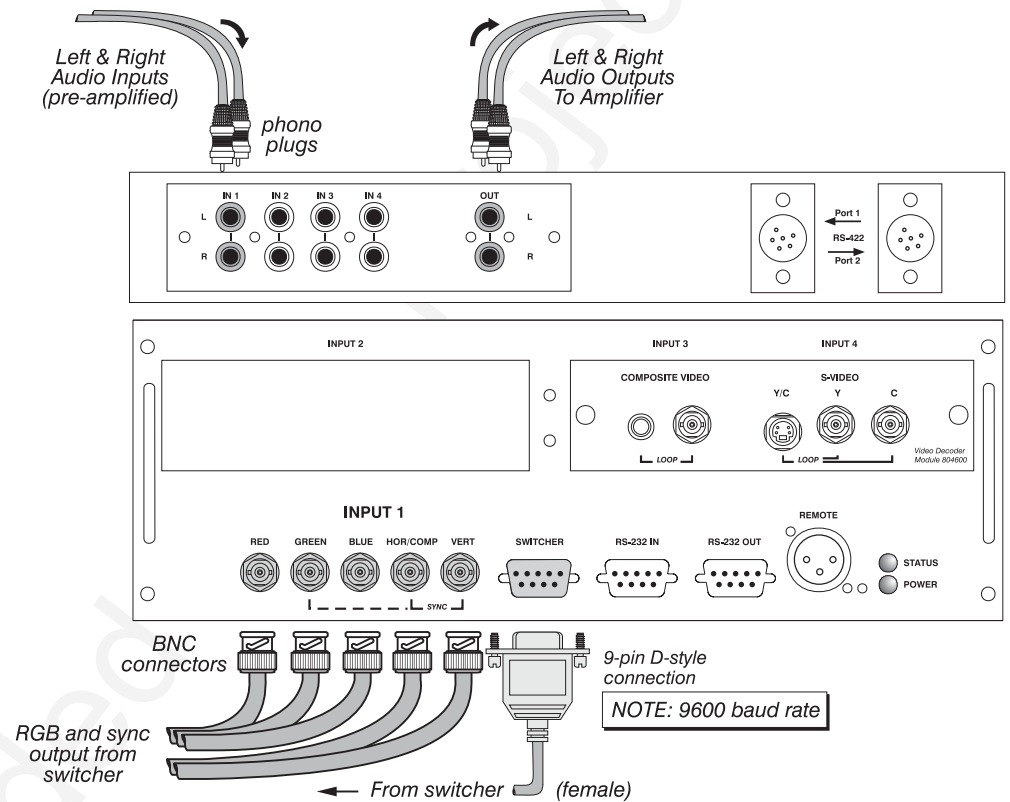
Alternatively, the analog interfaces (i.e., *non-digital*) can be installed in a *Marquee Case/Power Supply* or *Marquee Switcher*, if desired, for use with the projector.

*NOTES: 1) Audio ports on optional interfaces are non-functional. Use the projector’s audio connectors labeled **IN 2** (standard on **Vista** only). 2) Optional digital interfaces cannot be used in a *Marquee Case/Power Supply* or *Switcher*. 3) Connect analog HDTV signals directly to **INPUT 1** or to any “**RBG**” input module installed at **INPUT 2**—the optional HDTV Input Module used in earlier Christie projector models is not needed or recommended. 4) See **Appendix F, Optional Input Modules** for a brief description of each interface.*

**Connecting a switcher**

You may wish to use one or more external *Marquee Signal Switchers* or a third party switcher in order to significantly increase the number of sources you can select. If you are using a *Marquee Signal Switcher*, connect the switcher’s RGB output to **INPUT 1** and connect an RS-232 serial communication cable between the switcher and the projector serial port labeled **SWITCHER** (see Figure 2.24). The switcher communication link (permanently set at 9600 baud) enables you to access inputs connected to the switcher in the same manner as those connected directly to the projector. For most other third-party switchers, connect and access sources according to the documentation provided with that switcher. Use high-quality shielded cables.

*NOTE: Make sure any Marquee Signal Switcher connected directly to the projector is set as “Switcher #1”. If it is not, unplug the switcher and turn the thumbwheel to “1” before plugging back in and connecting to the projector and/or network.*



**Figure 2.24. Connecting a Marquee Signal Switcher**

**Connecting Multiple Switchers**

If you are using more than one *Marquee Signal Switcher*, daisy-chain the RS-232 switcher inputs/outputs together to form a complete network of inputs accessible from the projector (you can network up to 9 switchers), and connect Switcher #1 to the projector as shown in Figure 2.24. In addition, connect the RGB output from each switcher to its matching slot on switcher #1—for example, connect the RGB output from switcher #2 to slot #2 on switcher #1, and the RGB output from switcher #3 to slot #3 on switcher #1. Note that slots used in this manner on switcher #1 are no longer recognized as inputs to the projector—if you select a slot location that is connected to another switcher’s RGB output, the projector will display the “no input signal” error message.

**2.5 Power Connection**

Plug the projector's high-current line cord into the line input socket located in the lower right corner of the rear panel of the projector, then plug the 3-pronged end of the line cord into a grounded AC outlet. Input voltage to X3/X4/S3/S4 models must be capable of **100-240** VAC. For all other models, it must be 200-240 VAC. *Use the proper power source and the high-current rated line cord provided.* See Section 5, *Specifications* for all power requirements.

**⚠ WARNING ⚠**

**Do not attempt operation if the AC supply and cord are not within the specified voltage and power range.**

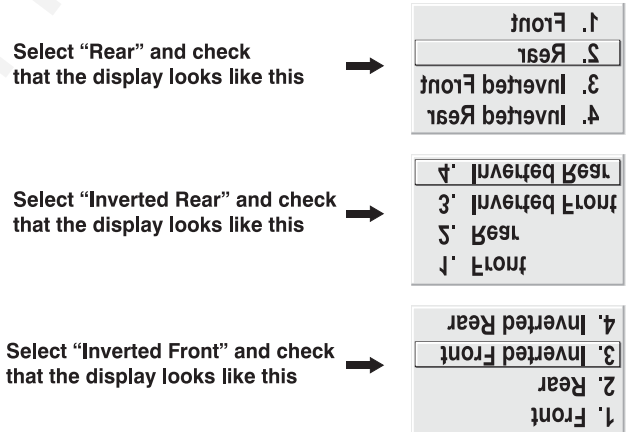
**⚠ Caution for Shutdowns:** *Once the projector is turned off (Power\*), the lamp cooling fans will continue to run for approximately five minutes to ensure that the projector and lamp have sufficiently cooled, at which point the fans will automatically shut off. To avoid thermal stress that can lead to premature lamp failure, never unplug the line cord while the lamp cooling fans are running, and never unplug to power down.*

**2.6 Operating Orientation**

The projector is set up at the factory for use in a front screen, floor mount orientation. If your initial installation is ceiling mount or rear screen, displayed images may be upside down and/or reversed. To correct, you must change the image orientation

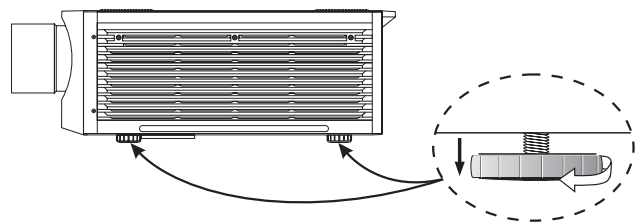
from within the *Menu Preferences* menu (you may prefer to do this before physically installing the projector in its final position/orientation).

In the *Menu Preferences Menu*, highlight and select the "Image Orientation" pull-down list. Select from Rear, Inverted Rear, Front or Inverted Front according to your intended installation. See Section 3, *Operation* for further information.



**2.7 Leveling**

For most installations, the lens surface of the projector is parallel to the screen—this prevents major keystone of the image (i.e., an image with non-parallel sides). In addition, the projector must be kept level from side-to-side in order for the lamp to function safely. To make small corrections to the projector's level, rotate each leg as necessary to raise or lower. For angled installations, see "Special Mounting" under 2.3, *Projector Position and Mounting* earlier in this section.



**Figure 2.25. Adjusting the Feet Height**

**2.8 Zoom, Focus & Lens Offset**

Once the projector is properly set up and producing an image, you are ready to make quick lens adjustments. Refer to 3.3, *Using the Keypad* and 3.4, *Navigating the Menus* if you are unfamiliar with using the keypad and menu system.

- Zoom**
  - NON-MOTORIZED:** If you have a zoom lens installed, turn the textured ring of the lens barrel to decrease or increase the size of the image at the current throw distance.
  - MOTORIZED:** If you have a zoom lens installed, press **[Lens]** to display the *Lens Control* menu. Select the “Zoom” option (2) and adjust image size as desired with **[←]** or **[→]**. Refer back to Figure 2.1.



**WARNING**  
Keep fingers away from the lens opening when operating the motorized zoom function.

- Focus**
  - NON-MOTORIZED:** Near the lens opening, turn the lens focus tab until the image is as sharp as possible.
  - MOTORIZED:** Press **[Lens]** to display the *Lens Control* menu. Adjust image clarity as desired with **[←]** or **[→]**. Refer back to Figure 2.1.

*NOTES: 1) Initially, your image may be so blurry you cannot recognize the “Focus” menu option. Remember that [Lens] activates the “Focus” control (#1)—from here, press [←] or [→] to adjust. 2) If focus is not uniform throughout the image, bore sight is likely poor. Contact your dealer for service.*

- Lens Offset**
  - Lens offsets move the lens and image. Try to achieve the desired overall image position and best brightness while maintaining a rectangular image. If the brightness looks uneven, or the edges do not look perfectly straight, the projector may not be in the optimal position for your screen. See 2.3, *Projector Position and Mounting* for full details. Lens offset ranges are also listed on page 5-1.

**NON-MOTORIZED:** To relocate the image, turn either or both of the front knobs adjacent to the lens. The top knob “Vertical” will raise or lower the image, the bottom knob “Horizontal” will shift the image left or right.

**MOTORIZED:** Press **[Lens]** to display the *Lens Control* menu. Select either lens offset option (3) or (4) and move the image as desired with **[←]** or **[→]**. Refer back to Figure 2.1.

Other display adjustments are available through keypad commands and on-screen menus—refer to *Section 3, Operation*.

**Intelligent Lens System™  
(ILS™)**

*NOTE: Requires motorized lens.*

Once you’ve defined lens settings for the current display, you can automatically recall these positions whenever you use this channel. This *Intelligent Lens System™ (ILS™)* function is particularly useful if you are working with a variety of source types that may differ in size and/or aspect ratio, since the custom lens settings you’ve chosen for any channel will be quickly and accurately applied whenever you use that channel.

**ENABLING ILS™:** In the *Lens Control* menu, enable the “Intelligent Lens System” option (highlight it and press **[Enter]**). This will add the 4 lens positions—focus, zoom,

horizontal and vertical offset—to the current channel settings recorded in projector memory (see 3.5, *Using Inputs and Channels* if you are unfamiliar with channels). The lens will then automatically reposition itself according to these lens settings each time you use this channel. The *ILS™* is a global function—any lens settings you subsequently define for other channels will also be recalled whenever you use those channels.

You can still change lens settings as usual when the *ILS™* is enabled. Changes will be recalled the next time you use the channel.

**DISABLING *ILS™*:** To use consistent zoom, focus, and offset settings for all channels, delete the “Intelligent Lens System” checkmark (highlight the option and press **Enter**). The lens will not move until you adjust one of its settings.

### **Operating Tips for Lens Settings and *ILS™***

*NOTE: Accurate *ILS™* performance requires a calibrated lens mount. Calibrate after installation of a lens, and repeat if the lens is moved or bumped. See Section 3.*

When defining the focus, zoom, horizontal offset and vertical offset slider settings for a given channel, keep in mind the following considerations for optimized *ILS™* performance:

- The lens mount must be calibrated.
- When *decreasing* (**◀**), values are always *even* (1004-1002-1000-etc.).
- When *increasing* (**▶**), values are always *odd* (1001-1003-1005-etc.).
- Lens movements begin slowly and subtly before reaching full speed—changes may not be evident on screen until after a second or two of **◀** or **▶**.
- When holding **◀** or **▶**, lens movement gradually accelerates.
- As with any setting, you can directly enter a value using the numbers on the keypad, if desired. Press **Enter** before and after.
- Because of how gears function, movement to an *even* value is always approached from a *higher* value, even if the direction of lens movement must reverse to do this. Likewise, an *odd* value is approached from a *lower* value. This protocol helps ensure *ILS™* accuracy. In general:
  - ◊ If decreasing to an odd value, movement will reverse its approach.
  - ◊ If increasing to an even value, movement will reverse its approach.
- To make *small adjustments* for *ILS™* recall, always maintain the current odd or even status for the new value—this will prevent the lens from reversing at a point very near to the requested setting and settling in the area of extra travel known as the “backlash” zone, an area which is not recognized by the *ILS™*. For accurate tweaking of an odd setting, press **▶**. If even, press **◀**.

**FOR EXAMPLE:** If the current setting is 1001 and you enter 1002, the lens must move slightly beyond the requested setting before quickly reversing back down to 1002. Although 1002 will appear in the menu, the physical location of the lens will not be accurately recalled by the *ILS™*.

Instead, if you need to *slightly* increase a current odd setting (such as 1001), either press **▶** as often as necessary or go to a nearby odd setting (1003, 1005, etc.) rather than switching to an *even* setting (1002, 1004, etc.). This technique will prevent the lens from reversing and settling in the backlash zone.

- Try to release the **←** or **→** key *before* reaching a desired lens setting, then continue as necessary with small incremental adjustments *in the same direction*. If you “overshoot” slightly, do not reverse and “tweak” into place unless you have overshoot *beyond* the backlash zone (which can vary from 10 to 600 increments, depending on the function). Otherwise, the ILS™ function will not recognize the final “tweaked” value when you return to this channel, and lens performance will appear inaccurate. In general, use small “incremental” fine-tuning only if the direction of lens movement has not changed during an adjustment. See Figure 2.26.

Alternatively, simply enter a new position to reverse direction. For example, if the current setting is 2000, enter 2001 to start moving up—then press **→**. If current setting is 2001, enter 2000 to start moving down—then press **←**.

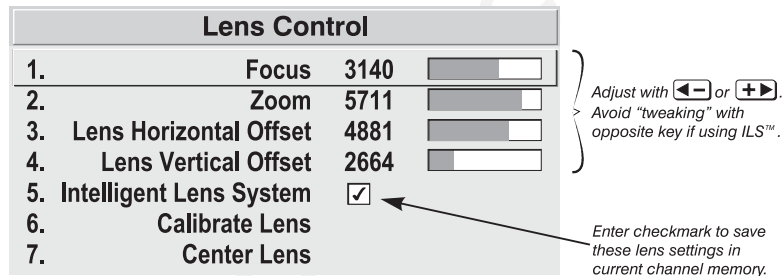


Figure 2.26. Lens Settings and the ILS™

- When adjusting lens offsets, sidebar values will not reach extremes of 0 or 9999. This is normal and does not mean that corresponding lens mount movements failed to reach their physical extremes.

## 2.9 Serial Port Connections

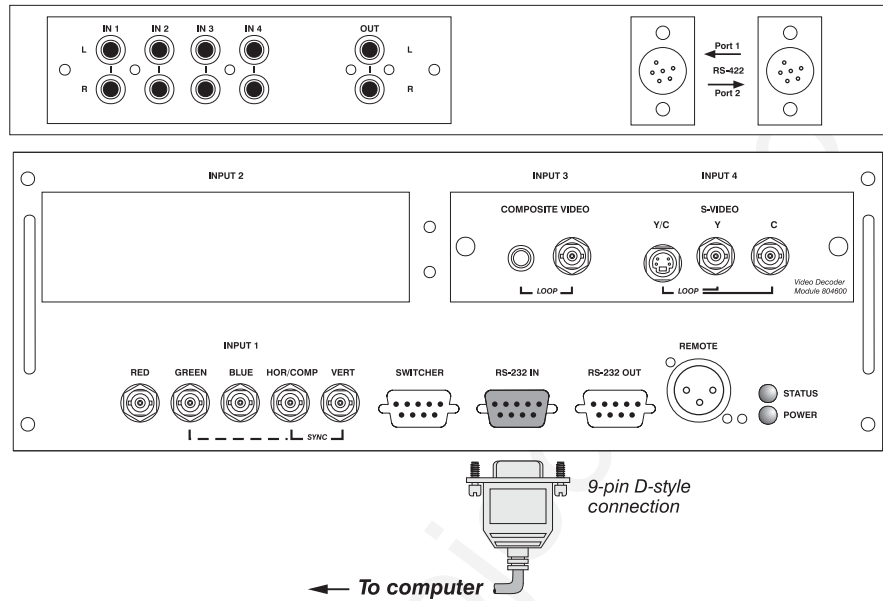
*NOTE: Communication software is required for serial control. Contact your dealer for details.*

You may wish to use equipment other than the keypad for controlling the projector or for performing other special functions. Such equipment—such as most personal computers—requires a serial interface for sending and receiving communications through the serial ports on the projector. Note that there are two different types of serial communication ports on this projector as described below.

### If using a computer **RS-232 Ports**

From most computers, connect an **RS-232** serial communication cable between the computer and the projector serial port labeled **RS-232 IN**—this 9-pin D connector port is located near the bottom center of the projector's rear control panel (see Figure 2.27). Then set the projector baud rate to match that of the computer (changing the baud rate is described in 3.7, *Configuring System Parameters*).

*NOTE: Refer to Appendix D for complete cable wiring details.*



**Figure 2.27. RS-232 Serial Connection to a Computer**

**RS-422 Ports**

Some computers can provide **RS-422** serial communications (often through a plug-in adapter or external converter) rather than the more common RS-232. RS-422 communication has differential “transmits-and-receives” and is generally better suited for long distances than is RS-232 communication. RS-422 is not compatible with RS-232—connecting one to the other could damage the equipment at either end.

If you wish to control the projector with a computer and/or other controlling device (such as the *Two-Way Controller*) having RS-422 capability, connect **RS-422** serial communication cables between the computer (or other device) and either (or both) of the projector serial ports labeled **RS-422**—these 6-pin XLR connector ports are located near the upper right corner of the projector's rear control panel (see Figure 2.28). Use an **RS-422** port *only* if your equipment has RS-422 capability—always first consult the documentation supplied with your equipment.



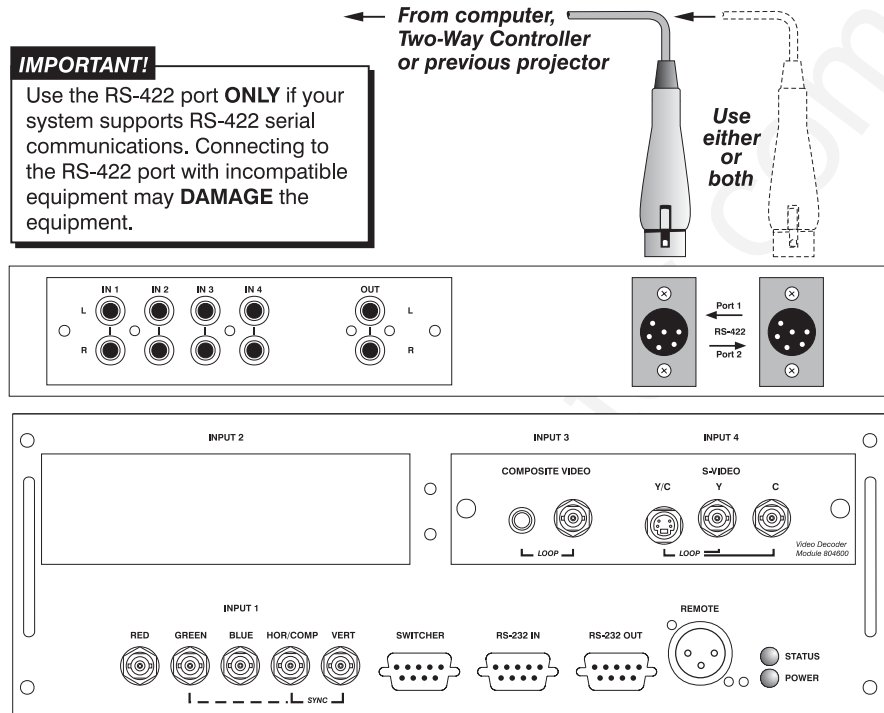


Figure 2.28. RS-422 Serial Connection to a Computer

**⚠ WARNING ⚠**

Do not use an RS-422 port unless you are using a computer with RS-422 capability. The voltage levels of this signal can damage incompatible equipment.

**If using a switcher**

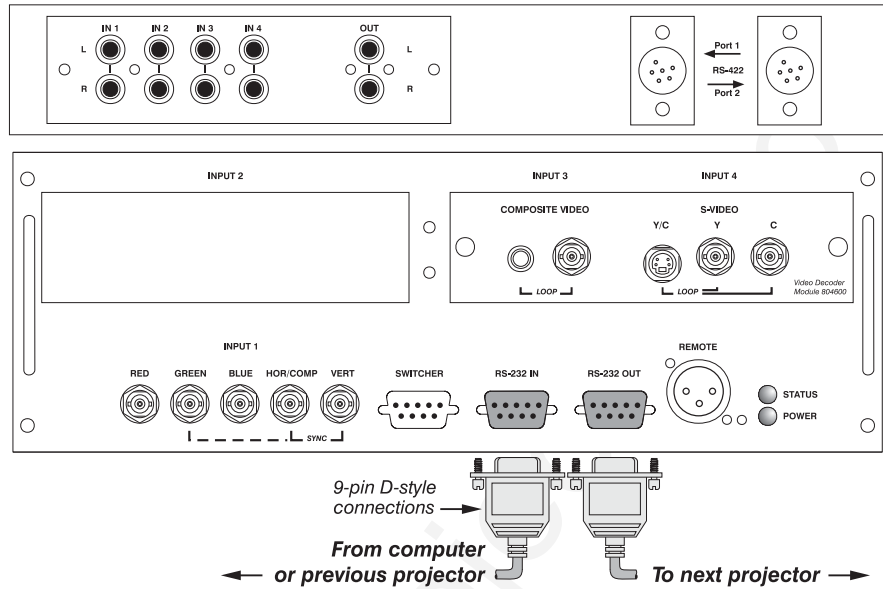
You may wish to use one or more external *Marquee Signal Switchers* or a third party switcher in order to significantly increase the number of sources you can select. If you are using a *Marquee Signal Switcher*, connect the switcher’s RGB output to **INPUT 1** and connect an RS-232 serial communication cable between the switcher and the projector serial port labeled **SWITCHER** (refer back to Figure 2.24). The switcher communication link (permanently set at 9600 baud) enables you to access inputs connected to the switcher in the same manner as those connected directly to the projector. For most other third-party switchers, connect and access sources according to the documentation provided with that switcher.

*NOTE: See 2.4, Source Connections, “Connecting a Switcher” for complete details.*

**If using multiple projectors**

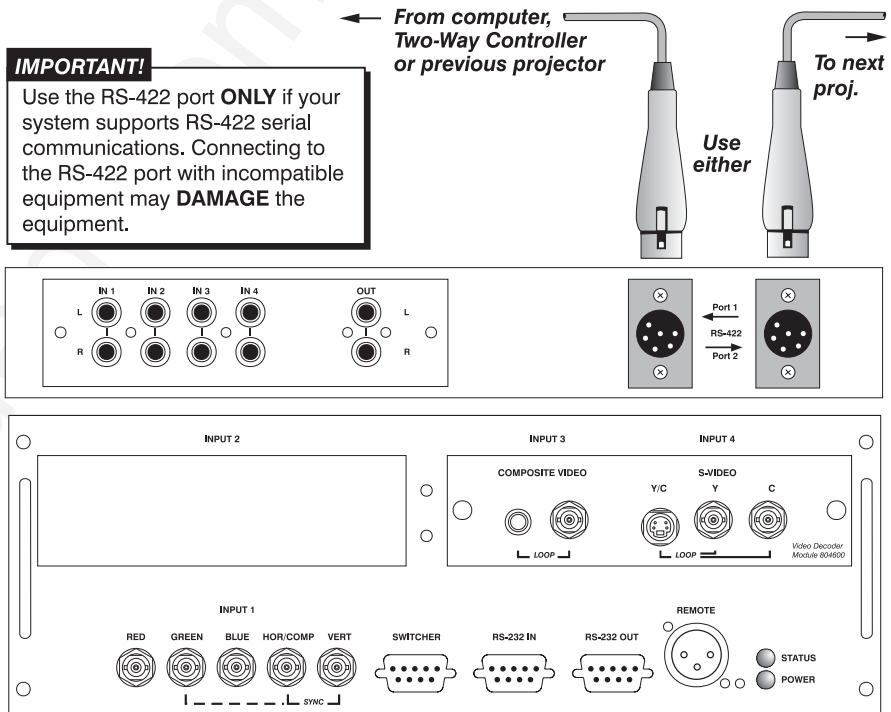
**Serial Communications**

**RS-232 NETWORK:** To control multiple projectors with a computer/controller having an RS-232 interface, first set them all to the same baud rate needed, then chain the projectors together by connecting the **RS-232 OUT** connector of the first projector (already connected to the computer/controller) to the **RS-232 IN** connector of the next projector in the chain.



**Figure 2.29. Adding Another Projector via RS-232**

**RS-422 NETWORK:** To control multiple projectors with a computer/controller having an RS-422 interface, first set them all to the same baud rate needed, then chain the projectors together by connecting the **RS-422 PORT 2** connector of the first projector (already connected to the computer/controller) to the **RS-422 PORT 1** connector of the next projector in the chain.



**Figure 2.30. Adding Another Projector via RS-422**

For either type of network, continue connecting projectors in this manner until you've reached the last projector in the chain, so that only the last projector has an empty RS-232 OUT (or RS-422 PORT, if applicable). See examples below.

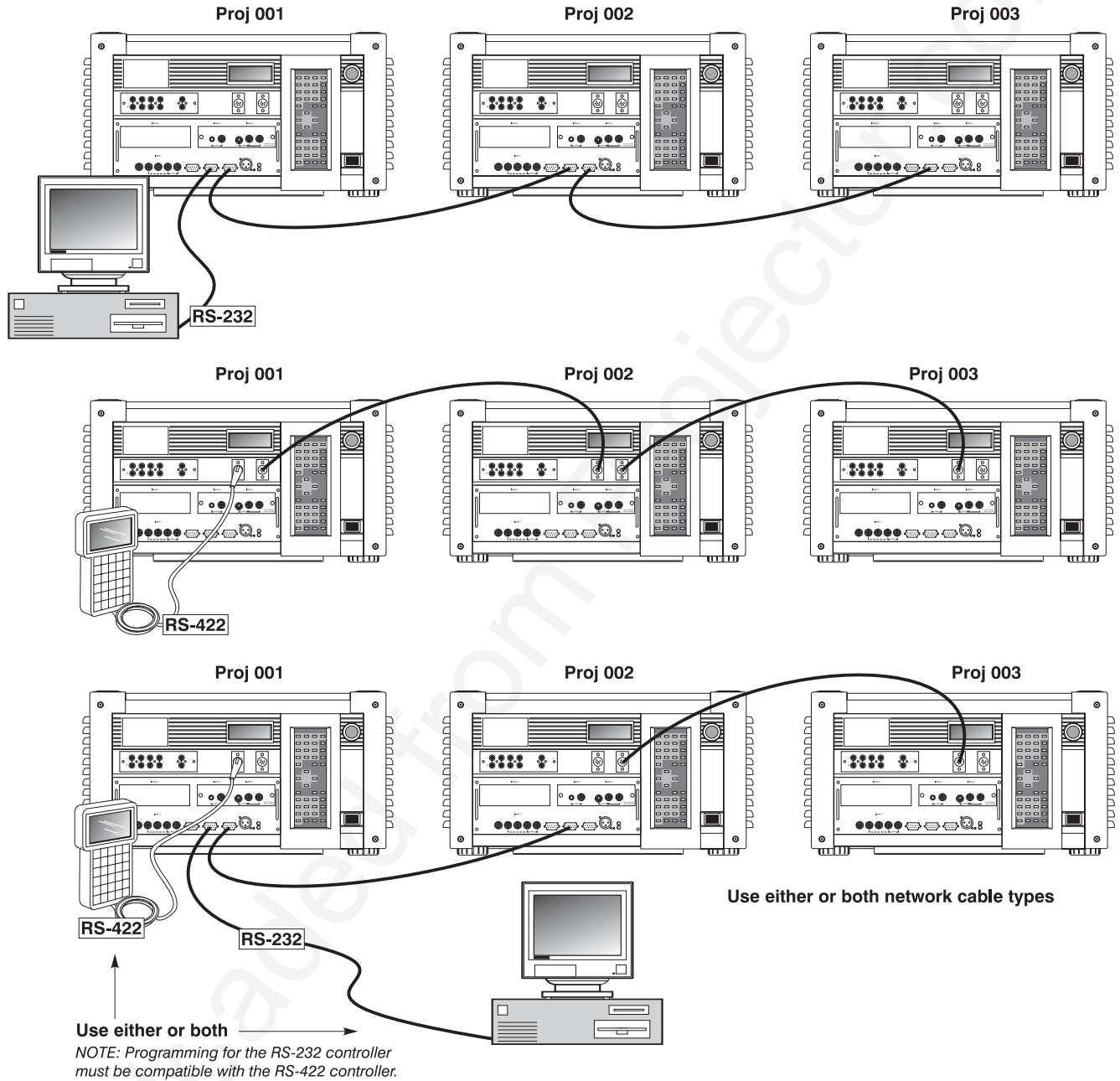


Figure 2.31. Assorted Networks (NOT split)

Note that communication parameters such as baud rate must be set to match the particular controlling device *before* connecting as a network—refer to the documentation that came with your controlling device in order to determine the proper baud rate. See 3.7, *Configuring System Parameters* if you need help changing the projector baud rate from its default of 19200.

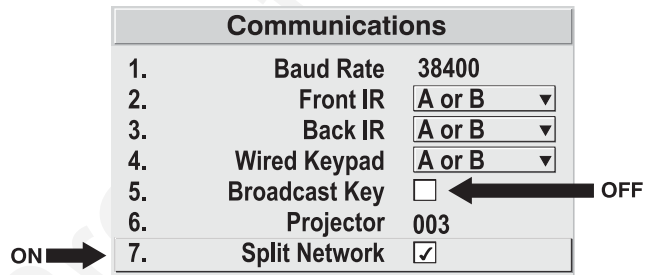
NOTES: 1) To avoid damage, connect only properly wired serial communication cables. See Appendix D for details. 2) It is recommended that each RS-232 communication cable be no more than 25 feet in length. Use high quality cables.

**Back-up or “Split” Networks**

In a typical network, broadcast serial communications or messages destined for a specific projector travel through *all* serial ports in each projector regardless of whether the messages originate from an RS-232 or RS-422 source (refer back to Figure 2.31, bottom example). The communication path depends on the serial cabling connected at each projector.

You may prefer the option of two *separate* communication paths—RS-232 or RS-422—in your network, essentially creating a redundant “back-up” communication path that can take over should a failed projector (or controller) prevent communications via the other path. For this setup, connect each projector to the next using *both* RS-232 and RS-422 ports.

Then enable the “Split Network” setting in the *Communications* menu for each projector present so that RS-232 communications remain on RS-232 paths only and RS-422 communications remain on RS-422 paths only (Figure 2.32). Each projector can then receive and send



**Figure 2.32. Enable “Split Network”**

either type of message depending on which controller initiates the commands—should one path fail, the second “back-up” network path can be used. Only one network should be active at a given time, as determined by the controller (whether it is RS-232 or RS-422). *Note that the “Broadcast Key” option is OFF.*

**▲ IMPORTANT ▲**

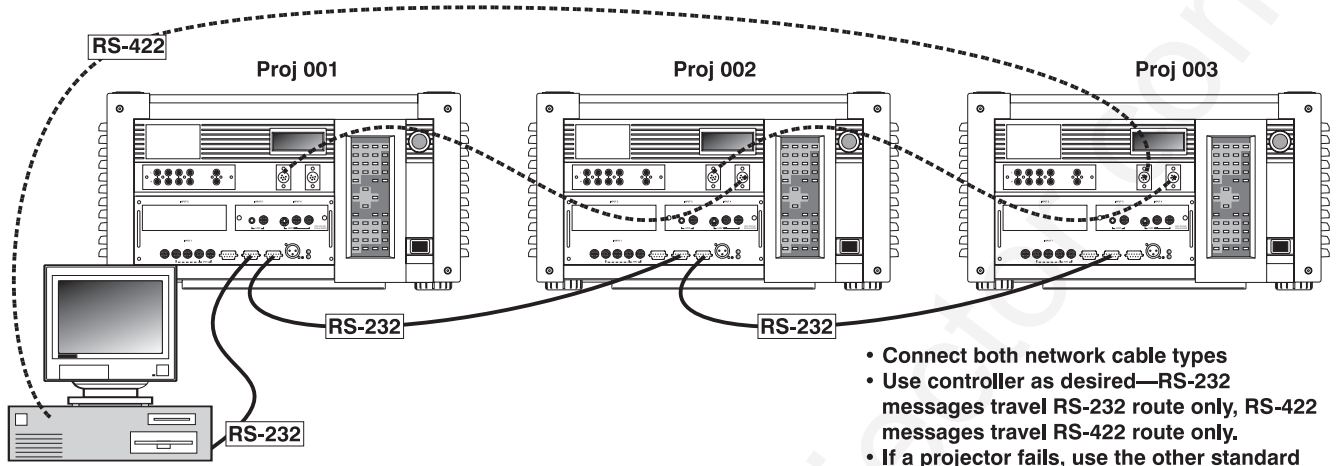
**Whenever downloading new projector software to networks, use a single-route network only. DISCONNECT any redundant serial cabling and UNCHECK the “Split Network” checkbox for each projector.**

**Two Different “Splits”**

There are two different split network configurations possible (Figure 2.33). Set up whichever option best suits your application needs:

- A. SPLIT NETWORK WITH ONE CONTROLLER**– If you have a single controller and want a back-up serial link, connect one controller standard (e.g., RS-232) to one physical end of the network and the other controller standard (e.g., RS-422) at the other physical end of the network. Make sure the “Split Network” option is enabled in the *Communications* menu. If a projector should then fail anywhere in the network, communication with the remaining projectors can be resumed in the opposite direction using the other standard. *NOTE: This configuration requires that both standards be available from a single controller, or that you use an RS-232/RS-422 adapter.*
- B. SPLIT NETWORK WITH TWO CONTROLLERS**– If you have two controllers (one RS-232 and one RS-422) and want one to be a back-up, connect each controller to the appropriate serial port on the first projector in the network. Then connect projectors together using both RS-232 and RS-422 ports as shown. Make sure the “Split Network” option is enabled in the *Communications* menu. Now, if either controller fails, you can simply switch to the other controller and communicate via the other standard.

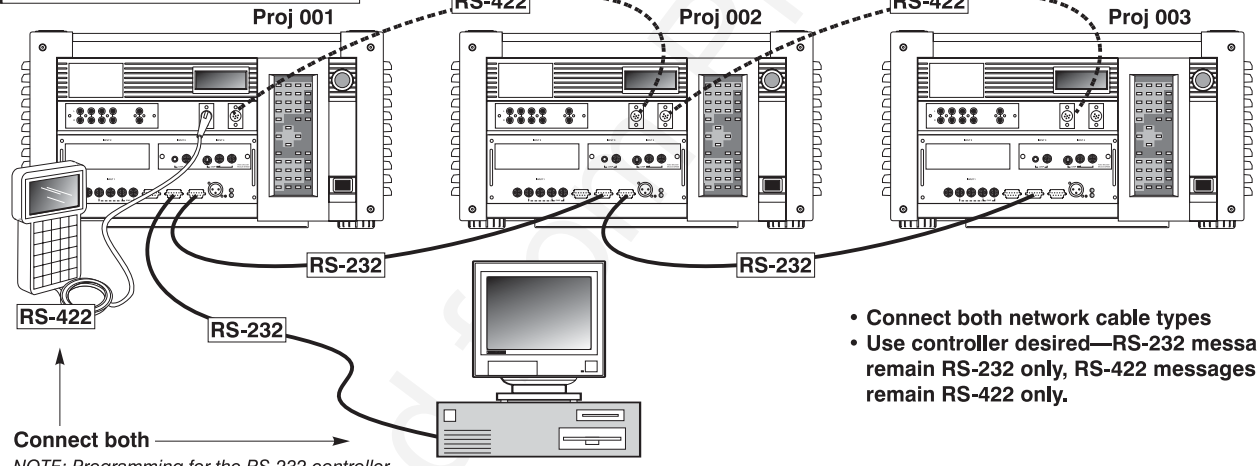
**A** Split Network with One Controller



Controller with both RS-232 and RS-422 capability

- Connect both network cable types
- Use controller as desired—RS-232 messages travel RS-232 route only, RS-422 messages travel RS-422 route only.
- If a projector fails, use the other standard to communicate with remaining projectors

**B** Split Network with Two Controllers



Connect both  
 NOTE: Programming for the RS-232 controller must be compatible with the RS-422 controller. Baud rates must be the same.

- Connect both network cable types
- Use controller desired—RS-232 messages remain RS-232 only, RS-422 messages remain RS-422 only.

**Figure 2.33. Two Types of Split Networks**

**Projector Numbers**

Each projector can be assigned a unique 3-digit projector number (for example, 001). These numbers are necessary when you are working with multiple linked projectors, enabling you to direct commands to a certain projector rather than always broadcasting to the entire network. For complete information on how to assign projector numbers, see 3.7, *Configuring System Parameters*.

*NOTE: To loop a single incoming video source through to another projector or display device on a network, see **Video Loop Through** in 2.4, *Source Connections*.*

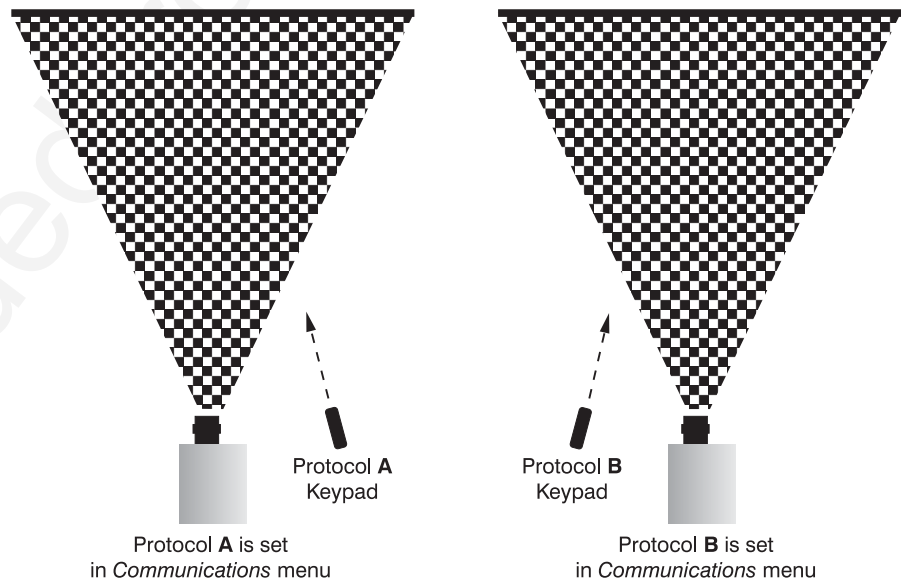
**2.10 Keypad Protocols and Conversion**

At manufacture every keypad is assigned “A” as its default protocol, which is simply a collection of settings that determine how the keypad operates. Once assigned, this protocol remains in effect until it is changed—that is, the keypad will operate as it currently does until you change its protocol.

Protocols are most useful for multiple-projector applications. For example, you might want to change a keypad protocol if you are working with two projectors and two remote keypads in the same room and need to control each projector independently (Figure 2.34). When Keypad A has a different protocol than Keypad B, each keypad communicates *only* with the projector having a matching protocol. Or, if you have a network of two or more projectors connected together via RS-232 serial ports, you may want only certain projectors to respond to a wired keypad, thus you can use different protocols to limit responses.

*NOTE: Matching the protocol on the projector to that of a keypad is done through a setting in the **Communications** submenu. See 3.7, **Configuring System Parameters** for further information on how to change the projector's infrared sensor (rear and front) protocol.*

A protocol for either type of remote keypad — IR or wired — can be changed through software commands entered on the keypad. A new protocol set through software commands remains in effect until the keypad batteries are removed and replaced (if an IR remote), or until the keypad is unplugged (if a wired remote). A remote can also be changed manually —you can “hard-wire” new jumper settings inside the keypad so that they remain in effect until you change the hard-wiring. Note that a hard-wired protocol can be temporarily overridden by the software protocol change, effective until the keypad is unplugged and plugged in again (if a wired remote) or until a battery is removed (if an IR remote).



**Figure 2.34. Independent Keypads and Projectors**

**Remote Keypad Protocol**  
— IR OR WIRED KEYPAD —

The standard IR remote keypad or the optional wired remote can be set to one of two different protocols — “A” or “B”. To hard-wire a protocol to “A” or “B” in either remote, follow Steps 1 through 5:

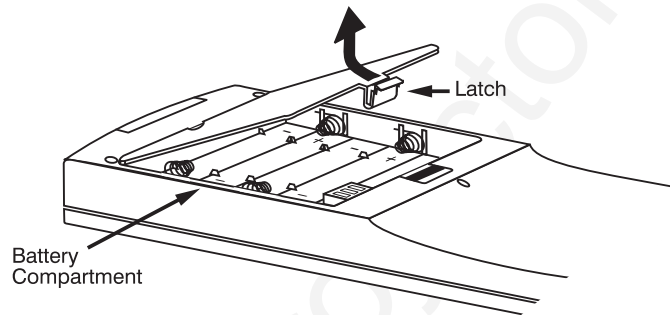
**Step 1**

Unplug the keypad from the projector (applies to wired remote only).

**Step 2**

Unlatch and open the empty battery compartment on the back of the keypad as shown in Figure 2.35.

*NOTE: A wired keypad opens as shown, but a cable passes through the battery compartment cover.*



**Figure 2.35. Opening the Keypad**

**Step 3**

Find the 4 jumpers located along the latching side of the battery compartment. These jumpers set the keypad protocol and other settings so that the keypad functions in a certain manner.

**Step 4: Set the Jumpers**

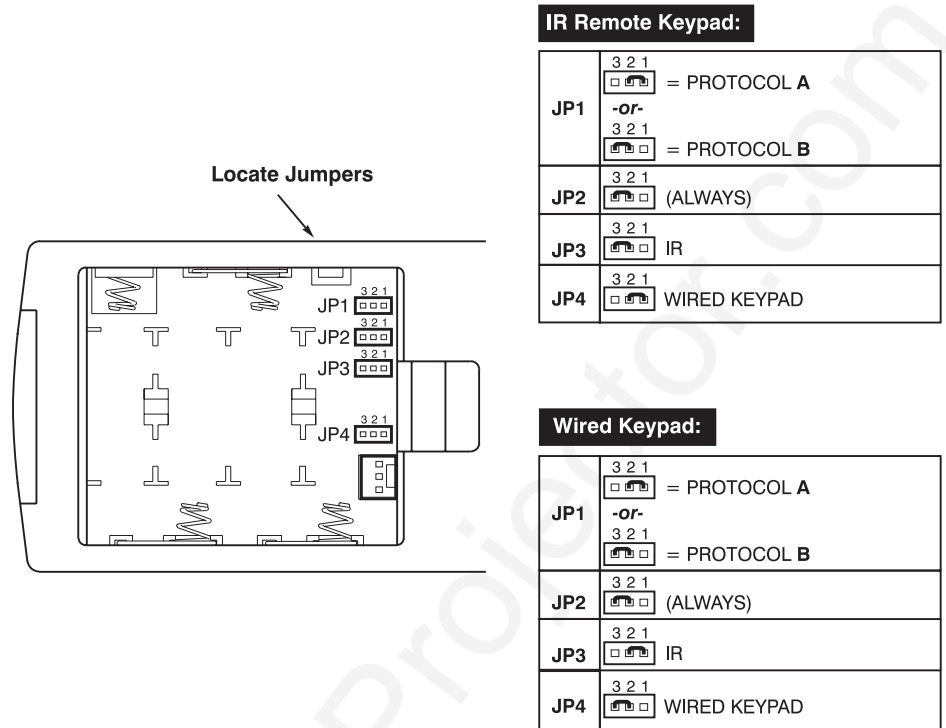
Set the jumpers as shown in Figure 2.36. Take care to refer to the correct part of the drawing — IR or wired (optional). Use tweezers or needle-nose pliers to remove and replace each jumper as necessary.

- **J1** jumper: For either remote, set between pins 1 and 2 to set as Protocol “A”. Set between pins 2 and 3 to set as Protocol “B”.
- **J2** jumper: For either remote, set between pins 2 and 3 as shown; otherwise, the projector will not respond correctly to keypad commands.
- **J3** jumper: For the IR remote, make sure that the jumper is set between pins 2 and 3 as shown. For the wired remote, make sure that the jumper is set between pins 1 and 2 as shown.
- **J4** jumper: For the IR remote, make sure that the jumper is set between pins 1 and 2 as shown. For the wired remote, make sure that the jumper is set between pins 2 and 3 as shown.

**Step 5**

Replace battery compartment cover. Plug into projector (wired keypad only) and test.





**Figure 2.36. Locating and Setting the Jumpers**

*NOTE: A wired keypad can be converted into an IR remote keypad, and vice versa. Follow the settings shown above, adding or deleting the cable and batteries as required. The cable with 3-pin XLR connector is available separately from your dealer.*

**SHORTCUT METHOD:**

You can also issue software protocol settings through the keypad. These software commands will be lost when the keypad is either unplugged or when a battery is removed — the keypad will revert back to the hard-wired jumper settings (see above) until you enter the software commands again.

Press      = Protocol “A”

Press      = Protocol “B”

*NOTE: If you change any keypad to a new protocol and the projector stops responding, the projector may be set to a conflicting protocol. Use the projector's built-in keypad to access the **Communications** menu. Under “Front IR” or “Back IR” or “Wired Keypad”, select the protocol that matches the new protocol of the keypad at hand. The projector should now respond properly.*



**Converting a Keypad**

If desired, you can convert an IR remote keypad into a wired remote keypad and vice versa (*available February 2000*).

**TO CHANGE FROM INFRARED TO WIRED:**

- Remove battery compartment cover from back of keypad.
- Remove batteries.
- Wait 1-2 minutes.
- Plug the keypad cable (available separately) into the empty battery compartment. Make sure that the battery cover is notched smoothly to accommodate the cable.
- Set keypad protocol as desired, using “wired” jumper settings.
- Replace battery compartment cover.
- Plug into the 3-pin XLR port at the rear panel of the projector.

**TO CHANGE FROM WIRED TO INFRARED:**

- Unplug the keypad from the projector.
- Open the keypad back and unplug the keypad cable.
- Wait 1-2 minutes.
- Install batteries (see *Section 4*).
- Set keypad protocol as desired, using “IR” jumper settings.
- Replace battery compartment cover.



# Operation

## 3.1 Overview

This section explains how to use the projector once it has been installed. Please read through these pages before using the projector for the first time. An understanding of projector features and how to access them will help you to take full advantage of the capabilities of the projector within minutes.

*NOTE: Installation involves locating the projector and adjusting it for use at that location. If you have not yet installed the projector, refer to Section 2, Installation and Setup.*

## 3.2 Projector Basics

Most projector functions and adjustments are initiated via keypad commands that either control the projector directly or activate a system of intuitive menus. Collections of settings can be defined and retained in the projector's internal memory as a custom *channel*, with up to 99 different channels possible.

Projector components and functions are illustrated below. Refer back to the chart on page 1-2 to determine what is available on each of the various models.

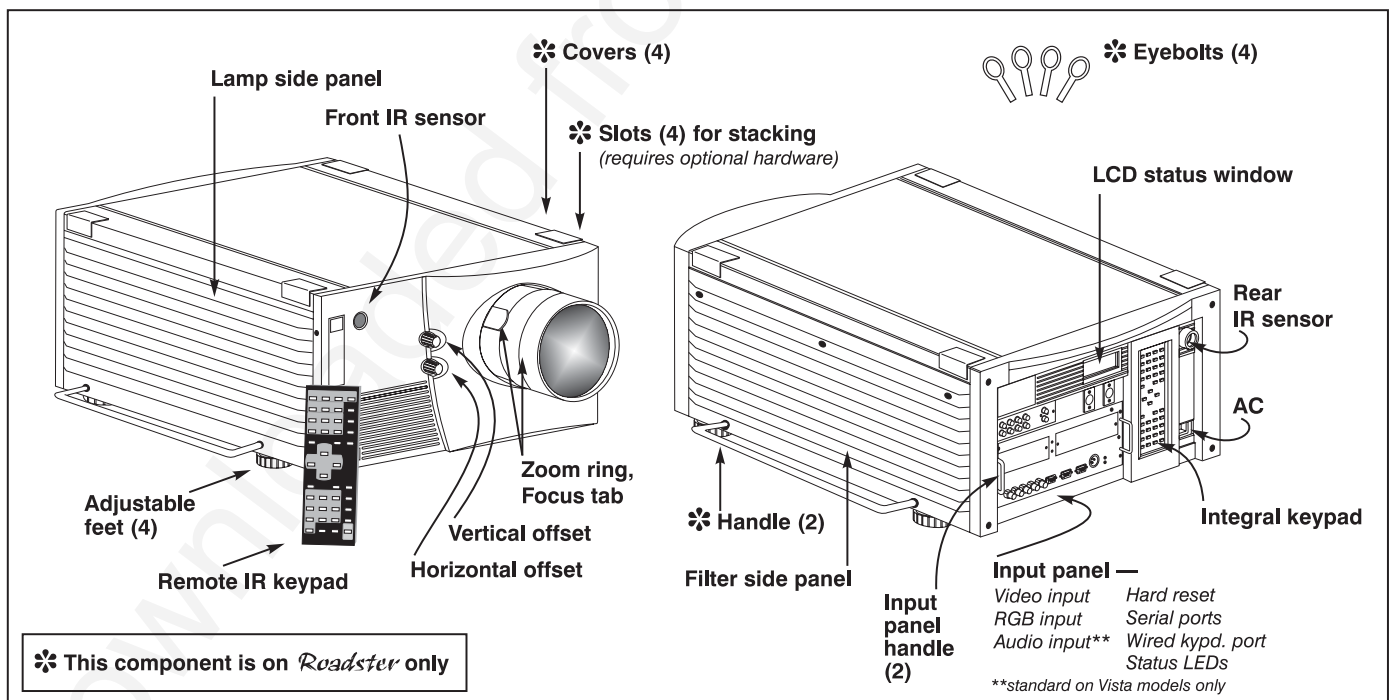


Figure 3.1. Basic Projector Components

**Components / Features**

**ZOOM** - Accessed manually in some models or with the keypad if a motorized zoom lens is present, the lens barrel of a zoom lens (optional) rotates to adjust the size of the image without moving the projector. Minimum and maximum image sizes depend on which zoom lens is installed — see *Section 5, Specifications*.

**FOCUS** - Accessed manually in some models (via 2 “tabs” on the lens) or with a keypad if a motorized lens is present, focus adjusts the sharpness of the image at the current throw distance.

**LENS OFFSET** - Operated manually in some models or with the keypad if a motorized lens is present, vertical and horizontal offsets shift the lens and move the image up or down and left or right. See *Section 2, Installation and Setup* for the offset ranges for any given lens. These are also listed on page 5-1.

**SHUTTER** - Closing the shutter blocks the lens internally and turns the image to off. The shutter is controlled with the keypad. (NOTE: OPTIONAL IN SOME MODELS)

**EYEBOLTS (Roadster)** - Insert in feet holes for suspending a single inverted *Roadster* only.

**SIDE HANDLES (Roadster)** - For safety straps or for brief hand transport. *Roadster* models only.

**STACKING SLOTS (Roadster)** - For stacking of *Roadster* models. *NOTE: Stacking requires a separate hardware accessory kit. See Section 2.*

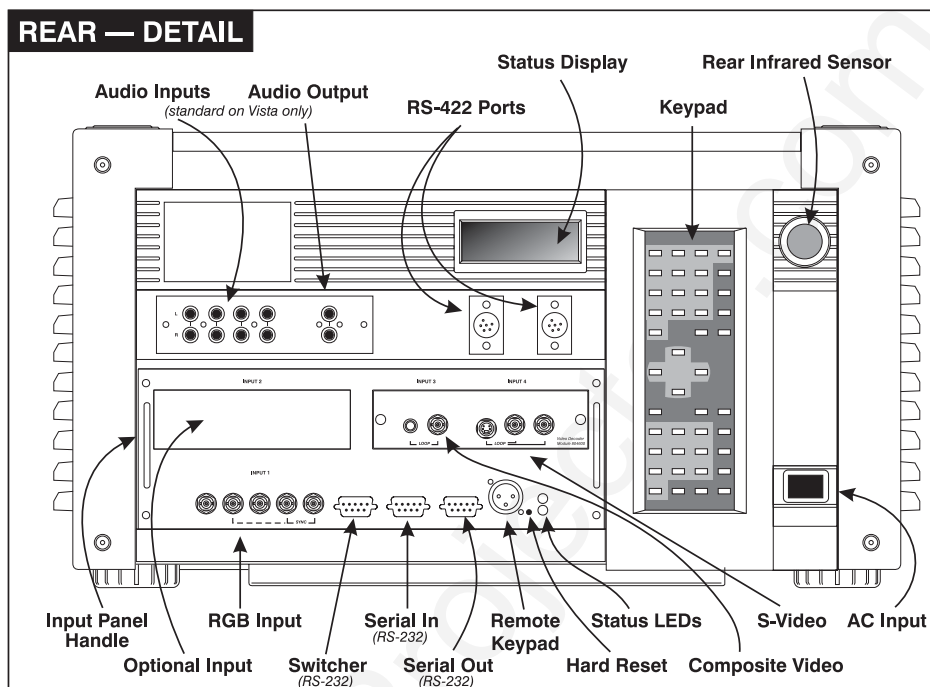
**⚠ WARNING ⚠**

**When stacking projectors you must use Christie stacking hardware (available separately) in the slots.**

**LAMP SIDE PANEL** - For accessing the interior lamp door and replacing the lamp module. *NOTE: Lamp replacement requires a qualified service technician.*

**FILTER SIDE PANEL** - Louvered grille for air intake. Remove to replace air filter.

**AUDIO IN/OUT (Vista)** - For connecting pre-amplified (line level) audio. Standard on *Vista* models only.



**COMPOSITE/S-VIDEO INPUT** - Accepts a composite video and S-Video signal from devices such as VCRs.

**RGB INPUT** - Accepts RGB and sync signals from devices such as computers, as well as composite video, S-Video or YPbPr component signals.

**RS-232 SERIAL INTERFACE (WITH LOOP THROUGH)** - Allows one or more projectors to be remotely controlled by a computer or controller, and provides a communications connection for Christie's *Marquee Signal Switchers*.

**RS-422 SERIAL INTERFACE (WITH LOOP THROUGH)** - Allows one or more projectors to be remotely controlled by an RS-422 compatible computer or controller (such as the *Two-Way Controller* accessory). RS-422 communications can travel greater distances than can RS-232 communications, but require RS-422 compatible equipment.

**⚠ AC LINE CORD INPUT** – Use the AC supply specified, and *always use the line cord provided with the projector*. See Section 5. Never unplug while the fans are running.

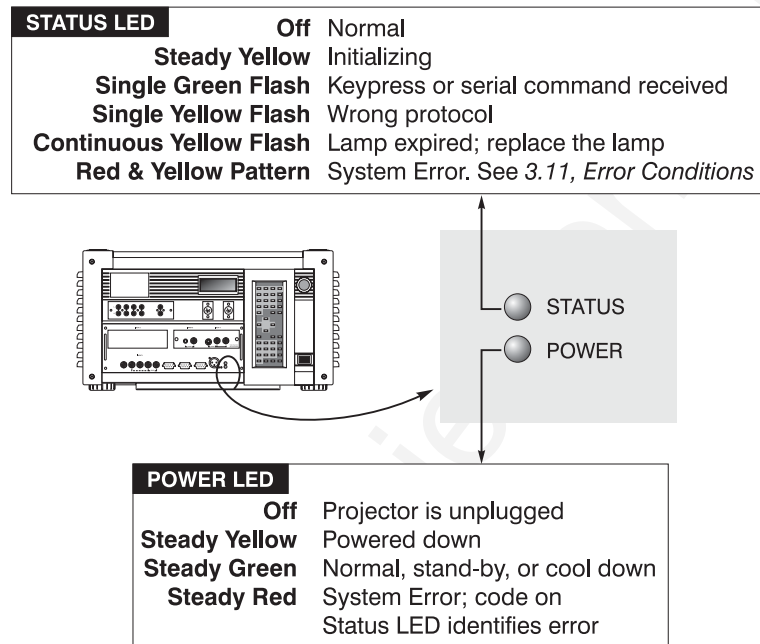
Model	AC Power Specifications
X/S3 and X/S4	100-240 VAC, 50-60 Hz, max. 11.5 amps @ 100V
X/S5 and X/S6	200-240 VAC, 50-60 Hz, max. 8.5 amps @ 200V
X9/S9	200-240 VAC, 50-60 Hz, max. 12 amps @ 200V

### ⚠ WARNING ⚠

Do not attempt operation if the AC supply is not within the specified voltage and power range. Use the specified line cord.

**STATUS/POWER LEDS** - Two LEDs (light emitting diodes) located in the lower right corner of the rear connector panel indicate projector "Status" (top) and "Power" (bottom). During normal operation, the "Power" light is steady green and the "Status"

light flashes green each time a key is pressed or when the projector receives a serial command. Use the following as a guide:



**Figure 3.2. Reading the Status LEDs**

*NOTE: A steady red power light accompanied by a coded pattern of red and yellow flashes from the status light indicates an internal system error. Consult the rear LCD display for an explanation, and see 3.11, **Error Conditions**. Should the problem persist, contact a qualified service technician available through your dealer.*

**REMOTE WIRED KEYPAD CONNECTOR (3-pin XLR)** - For optional tethered remote control of the projector.

**BUILT-IN KEYPAD** - Alternative location for entering commands. *NOTE: The keypad can be inverted by a qualified service technician. Contact your dealer.*

**LCD STATUS DISPLAY** – Visual feedback for monitoring projector activities and status.

**INFRARED SENSORS** - The infrared (IR) sensors on the front and rear of the projector receive infrared signals from the IR keypad for remote control of projector functions. For proper operation make sure that these sensors are not blocked.

**HARD RESET** - Emergency access for powering down the projector in the event of a system failure. Insert a pen point or small screwdriver.

The keypad appears in three locations:

- **Built-in** to the rear of the projector
- **Infrared (IR) Remote** for tetherless control up to 100 feet away
- **Wired Remote** (optional) tethered to the rear of the projector

### 3.3 Using the Keypad

While each keypad is identical in layout and provides complete control of the projector, you may find one keypad more convenient than another for your specific installation and application.

**Built-in** The built-in keypad is located at the rear of the projector. An LCD window above this keypad provides feedback regarding current status and activities of the projector.

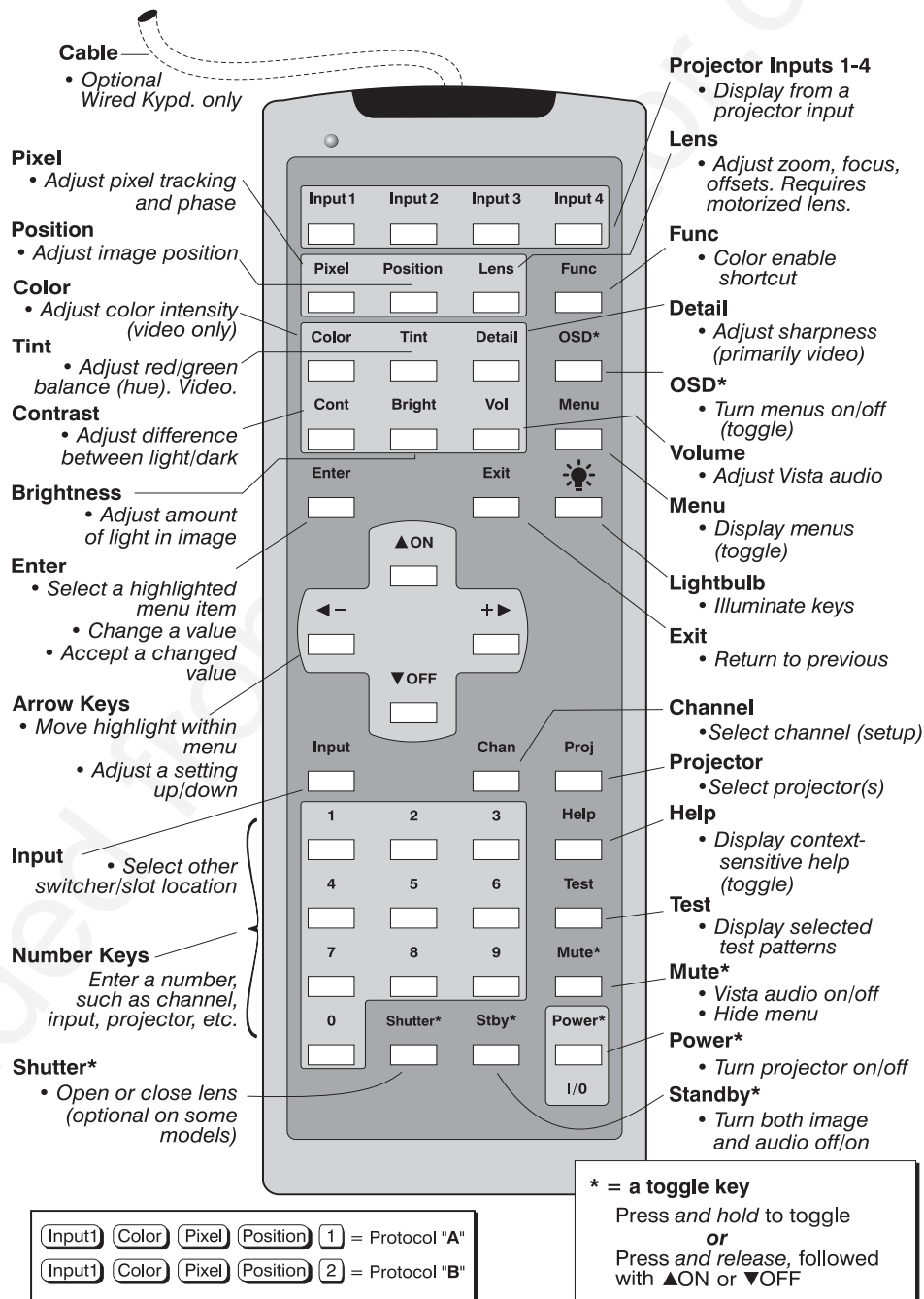


Figure 3.3. Keypad

**IR Remote** The IR Remote Keypad controls the projector by way of wireless communications from a battery-powered infrared (IR) transmitter. Use the IR remote keypad the same way you would use a remote keypad supplied with a TV or VCR. When making key presses, point the keypad either toward the screen or toward the front or rear of the

projector. One of two sensors on the projector will detect the signals and relay the commands for internal processing.

### **Wired Remote** —OPTIONAL—

The wired remote keypad connects to the 3-pin XLR jack via a 50 ft. cable. It is recommended when:

- the rear of the projector is inaccessible
- the lighting conditions are unsuitable for proper IR transmission
- you want to use a separate keypad for each projector in a group

*NOTES: 1) For extra long distances and/or harsh environments, you may prefer to use an optional remote **Two-Way Controller** to control the projector. For operating details, please see the **Two-Way Controller User's Manual** included with this accessory. 2) Old VistaGRAPHX "Roadie style" keypads can be used with this projector, but the **Func** key codes listed on the back are different and do not apply.*

### **Guide to Keypads**

Keep in mind the following guidelines:

- 1) Press keys one-at-a-time; there are no simultaneous key presses required.
- 2) For any key having an "\*" (Power\*, for example), hold the key for approximately 1 second in order to toggle the function with a single key press. For other keys (or to use a "\*" key in conjunction with **▲ON** or **▼OFF**), a momentary press similar to a mouse click is sufficient.
- 3) Press the "lightbulb key" to temporarily illuminate the backlight for the keys without sending any other command.
- 4) **◀-**, **+▶**, **▲ON**, and **▼OFF** repeat their "arrow" actions when held down. For other keys, release and press again to repeat an action. In a network, pause between adjustments to ensure that the last projector can "keep up" with the commands.
- 5) If you press a key while the projector is busy with another action, such as during a power-up, the key press may not take effect.

When you turn on the projector it begins operating at *presentation level*, such as an image from the most recently used source signal. The projector temporarily leaves presentation level whenever you use the keypad to work with control settings, display menus, or on-line help. For example, pressing **Menu** after startup displays the main menu — presentation level is no longer active, although the image still appears in the background. Press **Menu** again (or **Exit**) to return or leave the menu system and return to presentation level.

### **Keypad Commands**

Specific keypad commands are explained below:



#### **Power ON/OFF**

Press and hold for approximately 1 second to turn the projector on or off with a single key press. Or press **Power\*** followed immediately by **▲ON** or **▼OFF** if you want to guarantee the correct toggle (useful if you are unsure of the present status).. With multiple projectors, use with **PROJ** to direct the power-up or power-down command to a specific projector or to broadcast as desired.

*NOTES: 1) Whenever the projector is turned off, the lamp cooling fans remain on for about five minutes to cool the lamp. Never unplug the projector during this time, or as a shut down, as it can lead to premature lamp failure. 2) Avoid turning a projector back on until it has been off for a few minutes—hot re-strikes of the lamp may reduce lamp life.*



**Input1**

Press **Input1** to select the source connected to **INPUT 1** on the projector (data input). This is the same as entering **Input 0 1**.

**Input2**

Press **Input2** to select the source connected to **INPUT 2** on the projector (an optional interface). This is the same as entering **Input 0 2**.

**Input3**

Press **Input3** to select the source connected to **INPUT 3** on the projector (composite video). This is the same as entering **Input 0 3**.

**Input4**

Press **Input4** to select the source connected to **INPUT 4** on the projector (S-Video). This is the same as entering **Input 0 4**.

**Input**

Press **Input n n** when you want to display from a specific source location, such as a switcher connected serially to the projector's switcher port. The first digit represents the number you have assigned to your switcher (usually 1-9, or "0" for one of the four inputs on the projector). The second digit represents the switcher's slot number (1-9). For example:

**Input 1 2** = display data from switcher 1, slot 2.

*NOTES: 1) Although you don't need to use the input key unless a switcher is connected to the projector, you can also use **Input** to access the four input "slots" on the projector itself: use **0** as the first digit (representing the projector as the switcher), then **1**, **2**, **3**, or **4** as the second digit (the desired input slot number). **0** in combination with higher numbers is an invalid entry. 2) See 3.5, **Using Channels and Inputs** for a detailed explanation of inputs.*

*NOTE: **Input** key behavior during a presentation depends on whether or not the **Display Channel List** option is selected in the **Menu Preferences** menu. You can choose to have on-screen feedback when you press **Input**, or you may prefer to enter the desired source location "blind", i.e., without on-screen feedback. See **Preferences** later in this section.*

**Chan**

Press **Chan** to select a specific source setup (*channel*) defined and stored in projector memory. Once you enter a 2-digit channel number (or, if there is a list displayed, highlight it and press **Enter**), the display will automatically change and update according to the numerous setup parameters defined for that channel.

*NOTE: **Chan** key behavior during a presentation depends on whether or not the **Display Channel List** option is selected in the **Menu Preferences** menu. You can choose to use a scrollable list of channels when you press **Chan**, or you may prefer to enter the desired channel number "blind", i.e., without on-screen feedback. See **Menu Preferences** later in this section.*

**Stby\*** **Standby**

Press **Stby\*** and hold for approximately 1 second to blank all display and mute the audio output (if connected) while keeping the projector in a warmed-up and ready state. Or quickly press and release **Stby\*** and follow immediately by **▲ON** or **▼OFF** if you want to guarantee the correct toggle (useful if you are unsure of the present status). Note that the lamp and electronics remain ON in standby mode, even though the image turns to black and most functions are disabled. To leave standby press and hold **Stby\*** again (or use **Stby\*** **▼OFF**). Or simply press **Exit** or **Menu**.

**Menu** **Menu**

Press **Menu** to display the *Main* menu. A list of several options appears for access to specific functions, such as *Channel Setup* or *Image Settings*. Press **Menu** again to remove all menus and return to presentation level.

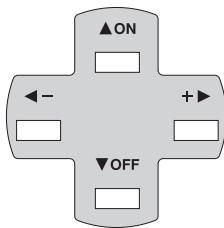
**Enter** **Enter**

Press **Enter** to select a highlighted item, to toggle a checkbox (checked vs. unchecked), or to accept a parameter adjustment and return to the previous menu or image.

**Exit** **Exit**

Press **Exit** to return to the previous level, such as the previous menu.

**NOTE:** **Exit** does **not** save changes within text editing boxes (including number editing of a slidebars) or within pull-down lists. It acts as a “cancel” in these cases.

**Arrow Keys**

The arrow keys have a variety of functions depending on the situation. Some typical uses are described below. See also *Editing Text* later in *Section 3*.

- Use **←-** or **+>** to change a slidebar value—hold as desired for continuous adjustment (*note the adjustment increments and range depend on the parameter being adjusted*).
- Use **←-** or **+>** to change to a different option within a pull-down list without having to display the list first
- Use **←-** or **+>** to jump between “pages”, such as in *Help* or lengthy pull-down lists.

**▲ON** Use the **▲ON** or **▼OFF** keys to navigate within a menu, pull-down list or text box, or to increase or decrease the value in the second (bottom) slidebar of a double slidebar.

**or**  
**▼OFF**

You can also use **▲ON** or **▼OFF** in conjunction with certain *toggle* keys—i.e., those including an asterisk symbol—to ensure a toggle *only* in the desired direction. When turning the projector on, for instance, you may be too far from the projector to know whether it is really off or if the shutter is merely closed. If you press **Power\*** and hold it for approximately 1 second in hopes of turning the projector *on*, the projector will actually turn *off* if the projector was already on. Instead, to avoid the risk of toggling in the wrong direction, quickly press *and release normally* the function key you wish to toggle (in this case **Power\***). Then immediately (within 2 seconds) press either **▲ON** or **▼OFF** as desired. The specific toggle will occur.

Toggle keys are labeled with an asterisk on the keypad. They are listed below:

- **Shutter\*** + **▲ON** = close the shutter (*NOT PRESENT IN ALL MODELS*)  
**Shutter\*** + **▼OFF** = open the shutter (*NOT PRESENT IN ALL MODELS*)
- **Stby\*** + **▲ON** = put the projector in standby mode  
**Stby\*** + **▼OFF** = leave standby
- **Power\*** + **▲ON** = turn the projector on  
**Power\*** + **▼OFF** = turn the projector off
- **Mute\*** + **▲ON** = turn the audio (if connected) and menu display on  
**Mute\*** + **▼OFF** = turn the audio (if connected) and menu display off
- **OSD\*** + **▲ON** = turn the menu system on  
**OSD\*** + **▼OFF** = turn the menu system off

### **Color**

Press **Color** to adjust the color saturation level, i.e. the amount of color in a video image. Lower settings produce less saturated colors — a setting of “0” produces a black and white image, for example. If the color level is too high, colors will be overpowering and unrealistic. Use **◀-** and **+▶** until the desired color saturation level is displayed. The **Color** key has no effect when the ADP option is installed.

### **Tint**

Press **Tint** to adjust the red/green color hue for true color reproduction of NTSC video signals or HDTV signals. For best results, adjust tint while displaying a proper external test pattern from the source — otherwise, it is recommended that tint remain at its default setting. Use **◀-** and **+▶** until the desired tint is displayed.

### **Detail**

Press **Detail** to adjust the sharpness of a video image (it is of limited use for non-video). Use **◀-** and **+▶** until the display is as sharp as desired, keeping in mind that any level of detail above 3 will also introduce a certain degree of noise in the image. Set below 3 to filter the signal and remove noise from a noisy source.

### **Contrast**

Press **Cont** to change the amount of white in your images. Use **◀-** and **+▶** until you reach the desired level of contrast—for best results, start low and increase so that whites remain bright but are not distorted or tinted, and that light areas do not become white (i.e., are “crushed”). Conversely, low contrast causes dim images. See 3.6, *Adjusting the Image* (Image Settings subsection).

### **Brightness**

Press **Bright** to increase or decrease the amount of black in the image. Use **◀-** and **+▶** until you reach the desired level of contrast—for best results, start high and decrease so that dark areas do not become black (i.e., are “crushed”). Conversely, high brightness changes black to dark gray, causing washed-out images. See 3.6, *Adjusting the Image* (Image Settings subsection).

### **Volume**

Press **Vol** to control the audio level (if connected). Use **◀-** and **+▶** until you reach the desired volume.

*NOTE: Audio control is standard on Vista models only. In other models, the **VOL** key does nothing.*

**Proj** **Projector**

Press **Proj** when you want to access a specific projector within a network or if you simply need to see if the local projector is listening. The number appearing in the “Enter Number” window indicates which projector is currently listening to commands, and will match the projector number that has been defined in its *Communications* menu.

The “Projector” checkbox (read-only) shows whether or not the projector physically connected to a keypad is listening to commands from that keypad. A checkmark means that connected projector is listening; if there is no checkmark, you are communicating with a different projector.

To use a specific projector, enter the 3-digit number assigned to the projector you want to use. Press **Enter** to select, press **Exit** to cancel. If you switch to a projector other than the one you are currently using, the checkmark will disappear. Keypad commands (even **Power\***) will then affect this projector.

To broadcast to multiple projectors, press **Proj** **Proj** **without** entering a projector number. Keypad commands (even **Power\***) will then affect all projectors present.

*NOTES: 1) The "Broadcast Keys" option in the Communications menu must be selected for only **one** (any) projector in a serial network. The keypad in use must be OFF (disabled) for the remaining projectors. See 2.10, **Keypad Protocols and Conversion**, and 3.7, **Configuring System Parameters**.*

**Pixel** **Pixel**

Press **Pixel** to access the pixel tracking and pixel phase double sidebar. Adjust pixel tracking first: use **←** and **→** to increase or decrease the frequency of the pixel sampling clock to correct consistency of the image. For proper phase, use **▲ON** and **▼OFF** to increase or decrease pixel phase so that any shimmer disappears and the image is stable throughout. See 3.6, *Adjusting the Image (Size and Position* subsection) for a complete explanation of tracking and phase.

**Position** **Position**

Press **Position** to move the image using the double sidebar. At the sidebar, use **←** and **→** to move the image left or right, use **▲ON** and **▼OFF** to move the image up or down.

**Lens** **Lens (STANDARD IN ROADSTER ONLY)**

*NOTES: 1) Requires a motorized lens. In non-motorized projectors, adjust the lens manually for proper focus, zoom and offsets as described on page 2-2. 2) For full details regarding motorized lens functions, refer to 2.8, **Zoom, Focus and Lens Offset**.*

Press **[Lens]** to access remote motorized control of horizontal/vertical offsets, focus and zoom, and other related functions in the *Lens Control* menu. All slidebars can be adjusted with **[←]** and **[→]**, or set with a specific value entered from the keypad.

Lens Control			
1.	Focus	3140	<input type="text"/>
2.	Zoom	5711	<input type="text"/>
3.	Lens Horizontal Offset	4881	<input type="text"/>
4.	Lens Vertical Offset	2664	<input type="text"/>
5.	Intelligent Lens System	<input type="checkbox"/>	
6.	Calibrate Lens		
7.	Center Lens		

**Figure 3.4. Lens Control Menu (**[Lens]**)**

*NOTE:* Since the direction of lens travel affects the final true position of the lens, setting a lens position (focus, zoom or an offset) to a specific value may cause the lens to reverse its direction of travel, depending on its starting point, so that it approaches the setting from the necessary direction. Any even-numbered setting is approached from above (the sidebar values will decrease), any odd-numbered setting is approached from below (the sidebar value will increase).

**FOCUS:** Adjust the image clarity. If focus is not uniform throughout the image, bore sight is likely poor. Contact your dealer for service.

**ZOOM:** Enlarge or shrink the image (note: requires a *Roadster/Vista* zoom lens).

**HORIZONTAL OFFSET:** Shift the lens and image left or right. Note that sidebar values will not reach extremes of 0 or 9999. This is normal.

**VERTICAL OFFSET:** Shift the lens and image up or down. Note that sidebar values will not reach extremes of 0 or 9999. This is normal.

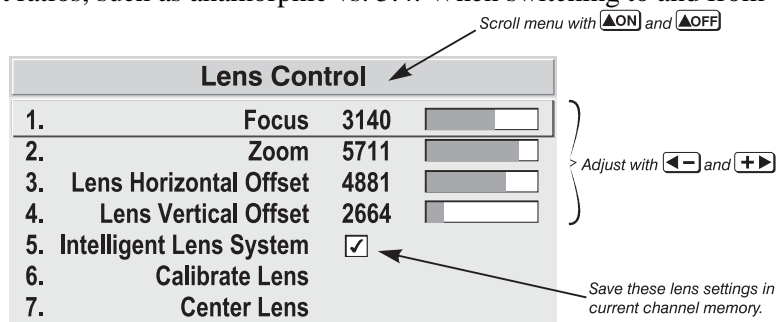
**INTELLIGENT LENS SYSTEM:** Enable “Intelligent Lens System” (*ILS™*) to add the 4 lens positions—focus, zoom, horizontal and vertical offset—to the current channel settings recorded in projector memory (see 3.5, *Using Inputs and Channels* if you are unfamiliar with channels). This feature is particularly useful if you are using sources with differing aspect ratios, such as anamorphic vs. 5:4. When switching to and from such displays, the lens will automatically move to the last defined position for each channel, quickly optimizing the display for focus, zoom and offsets.

*ILS™* is a global function—any

lens settings you subsequently define for other channels will be recalled whenever you use those channels. Delete the checkmark if you want to use consistent zoom, focus and offset settings for all channels—the lens will not move unless you re-adjust a lens setting.

For full details regarding optimization of *ILS™* performance, refer to 2.8, *Zoom, Focus and Lens Offset*.

**CALIBRATE LENS:** Select “Calibrate Lens” to ensure that the physical mid-point for each of the four lens functions is defined as such in software, and that lens mount



**Figure 3.5. Lens Settings and the *ILS™***

movements remain accurate to this reference. Regular calibration can correct for slight eventual mechanical “drifting” of movements over time. It is particularly recommended whenever the projector is bumped or subjected to vibration, and it is required whenever a new lens is installed and after certain service procedures.

During calibration, the lens mount will move in various directions for approximately 30 seconds, detecting the center of focus and offset ranges and the extremes for zoom. A small “Lens Calibrating” message appears on screen during calibration. Calibration is complete when lens mount movement stops (and the menu reappears)—note that the lens returns to the previous settings.

*NOTES: 1) Calibration with a fixed lens installed causes the zoom calibration to time-out, possibly delaying the completion of calibration by a few seconds. This is normal. 2) If calibration with zoom lens installed takes longer than about 30 seconds to complete, make sure the focus motor is engaged as described in 4.5, **Replacing the Lens**.*

**CENTER LENS:** This option removes most vertical and horizontal offset and returns the lens to the approximate center of the lens opening—the image will be fairly well-centered on this axis. Note that if centering remains significantly “off”, lens mount bore sight is likely poor. Contact your dealer for service.

#### **Shutter\*** **Shutter (OPTIONAL IN SOME MODELS)**

If your projector has a mechanical lens shutter (a.k.a. *douser*) installed, press and hold **Shutter\*** for approximately 1 second to toggle the shutter *closed* or *open* with a single key press (this also blanks the image electronically). Or quickly press and release **Shutter\*** and follow immediately with **▲ON** or **▼OFF** if you want to guarantee the correct toggle (useful if you are unsure of the present status). Close the shutter whenever you want to mute all display yet maintain access to projector functions. Open the shutter to regain the display. With no shutter installed, **Shutter\*** still blanks the image electronically, but the blanking is not quite as black.

*NOTES: 1) The status of the shutter is shown in the LCD window on the rear panel of the projector. 2) Upon power-up, the shutter is open. 3) The lamp remains on.*

#### **Mute\*** **Mute**

Use **Mute\*** to mute audio (if connected) and/or hide the current menu. Press and hold **Mute\*** for approximately 1 second to toggle on or off with a single key press. Or quickly press and release **Mute\*** and follow immediately with **▲ON** or **▼OFF** if you want to guarantee the correct toggle (useful if you are unsure of the present status). In either case, a small message appears on screen to signify mute status.

*NOTE: After early October 2000, audio control is standard on **Vista** models only. In models without audio, **Mute\*** temporarily turns the current menu on/off.*

#### **Func** **Function Key**

From presentation level, press **Func** followed by a 2-digit number to enable a specific color or colors in the display. For example, **Func** **6** **4** will display only red and green data, **Func** **6** **7** will display all color data. The list of available color combinations is shown below and also appears on the back of the IR remote keypad. Color enabling can also be accessed through the menu system rather than these shortcuts.

Func **6** **1** = Red  
 Func **6** **2** = Green  
 Func **6** **3** = Blue  
 Func **6** **4** = Red and Green  
 Func **6** **5** = Green and Blue  
 Func **6** **6** = Red and Blue  
 Func **6** **7** = All colors (Exit does the same thing)

*NOTE: When **Func** is pressed in presentation level, the projector will not respond to non-numeric entry until 2 digits have been entered or until 5 seconds of inactivity have elapsed.*

Use of the **Func** key within the menu system is noted with the appropriate topic elsewhere in *Section 3*. For example, press **Func** in the *Channel Setup* menu to enable deletion or copying of a channel.

### **OSD\*** **OSD (On-screen display)**

Press and hold **OSD\*** for approximately 1 second to toggle menus on or off (i.e., visible or invisible). Or press **OSD\*** followed immediately by **▲ON** or **▼OFF** to guarantee the correct toggle direction (useful if you are unsure of the present status). Note that invisible menus are fully functional.

*NOTES: 1) With OSD on, you can still mute menus, error messages, slidebars, etc. with the appropriate setting in the Menu Preferences Menu. 2) The status of the **OSD\*** key is displayed in the LCD window on the rear panel of the projector.*

### **Help**

Press **Help** for detailed information about any current menu and highlight. Press **Help** again to exit. From presentation level, press **Help** to access the *General Help* menu consisting of *Using Help, Setup, Keys, Source (Input) Selection, Stat/Pwr LEDs* and *Using 3D*. Press **Exit** to leave *General Help* and return to presentation level.

### **Test**

Press **Test** to display one of the available test patterns. Press **Test** again to display the next available pattern in the sequence. **Test** will exit after the last pattern, or press **Exit** at any time to remove the current test pattern from the screen and return to presentation level.

*NOTE: For a complete list of all test patterns, see the **Geometry** menu description later in *Section 3*.*

### **Keypad operating settings (protocols)**

The remote keypad and the optional wired keypad both store keypad operating settings (called *protocols*) in memory. In some advanced applications, such as when you want to use two separate keypads to control two projectors independently, you may want to override the original protocol set at manufacture (which is "A or B") for one of the keypads. See section 2.10, *Keypad Protocols and Conversion* for complete instructions.

### 3.4 Navigating the Menus

Most of the controls for the projector are accessed from within the projector’s menu system. There are several groups of related *functions*, with each group selectable from the *Main* menu as shown at right. Press **[Menu]** at any time to display the *Main* menu.

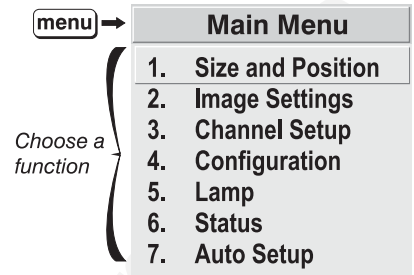


Figure 3.6. Main Menu

On the keypad, either enter the number corresponding to the function menu you wish to access, such as **[2]** for the *Image Settings* menu, or use the **[▲]** **[▼]** keys to highlight the desired option and press **[Enter]**. The function menu you selected will then appear. If you select “Auto Setup”, this will not activate a separate function menu but rather begin an automated process of optimizing critical display parameters such as size, position, pixel tracking, etc.

Once you have a function menu displayed, navigate in a similar manner—enter a menu option number for any numbered option, or use **[▲]** **[▼]** to move the highlight and press **[Enter]** at the desired option. Extra long menus have a scroll bar on the right—use the arrow keys to see the remainder of the menu. Items that are locked out or do not pertain to the current action appear dimmed and cannot be selected.

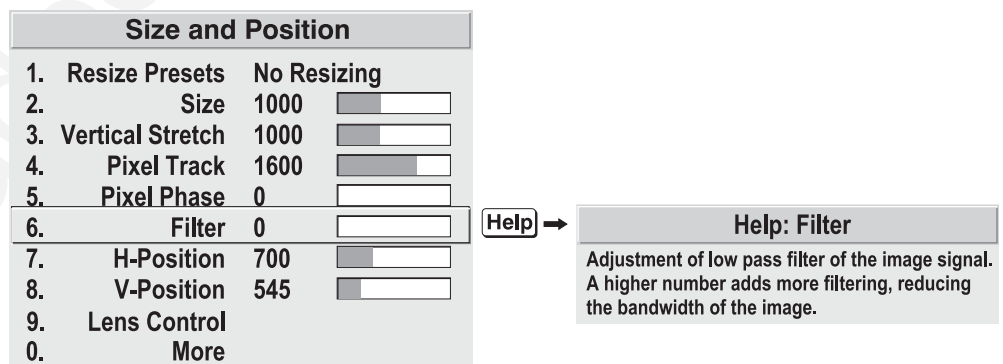
*NOTES: 1) If there is no signal present, all source-dependent adjustments are disabled. 2) After 15 minutes of inactivity, the projector leaves the menu system and returns to the presentation. 3) The Status menu is read-only.*

When finished with a function menu, do one of the following:

- Press **[Exit]** to return to the previous screen
- Press **[Menu]** to leave the menu system and return to the presentation

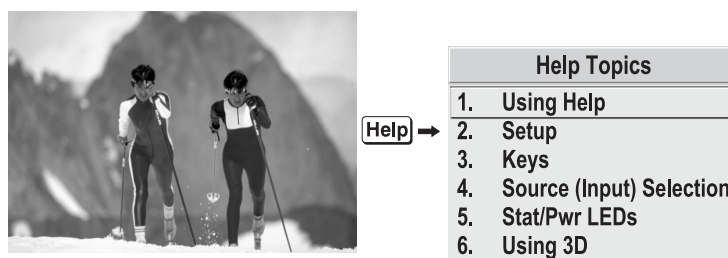
#### On-line Help

If at any time you are uncertain what to do next, press **[Help]** to display detailed information about the current menu or highlighted option. A scroll bar appears on the right-hand side of a help window if there is additional text—use the arrow keys to scroll. Press **[Help]** again to exit.



From presentation level, press **[Help]** to access general *Help Topics*. Scroll as necessary within a topic. Press **[Exit]** to return to your presentation. At the bottom of some menus, a line of hint text also appears.





**Figure 3.7. Accessing General Help Topics**

**Time-outs** Whenever the projector is not at presentation level, such as when there is a sidebar, menu, message or test pattern displayed, you have limited time in which to make a keypad entry before the projector returns to presentation level and the graphic disappears. These time-outs vary depending on the current display, as shown in the following chart:

TIME-OUTS	
Slidebar (from pres.)	5 seconds
Slidebar (from menu)	15 minutes
Lamp Timer Msg.	30 seconds
Channel entry	5 seconds
Other	15 minutes

**The Global Icon**



If a menu option includes this icon, settings for the option apply universally to any incoming signal.

**Using Slidebars and Other Controls**

Most of the function menus allow you to change settings by using slidebars, checkboxes, and pull-down lists. To select a sidebar, toggle a checkbox status, or view a pull-down list, do one of the following within the function menu:

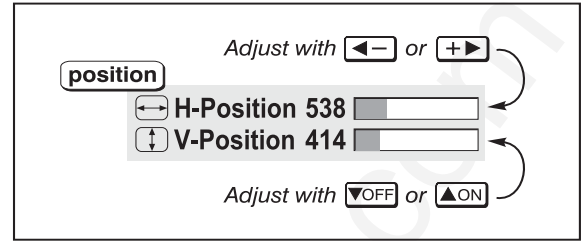
- Enter the menu option number corresponding to the setting you wish to change (for example, press **3** for Vertical Stretch in *Size & Position* menu).
- Or move the highlight to the desired parameter and press **Enter**.
- Or move the highlight to the option desired and press **←** or **→**.
- Or bypass menus entirely and use a single key to immediately access an adjustment (*note: applies only to options having their own key, such as Color, Tint, Detail, Contrast, Brightness, Volume, Pixel and Position*).

Once selected, change the setting as desired (see below) and press **Enter** to save and return to the current function menu.

**Slidebars in menus** - The current value for a given option, such as size or vertical stretch, appears to the left of its sidebar icon. This number may express a percentage or specific units (such as pixels, degrees Kelvin, etc.), depending on the option. Press **←** or **→** to gradually adjust the setting up or down—both the number and the length of the bar change accordingly (for continuous adjustment, hold down the desired arrow key). Or press **Enter** to activate a sidebar text box for specific number entry via the keypad, then press **←** or **→** and **Enter** to save (or press **Exit** to cancel).



**Double slidebars** - In double slidebars, such as the pixel tracking/pixel phase double sidebar, adjust the top sidebar with **←** or **→** as desired. When you have finished with the top sidebar (whether changed or not), adjust the bottom sidebar with **▲ON** or **▼OFF**. When you are done, press **Exit** to return to your presentation. For fast continuous adjustments, hold down the desired arrow key.



**“Direct” slidebars** - For quick access, you can often use a sidebar (or double sidebar) without traveling through the menu system. For example, simply press **Cont** to immediately display the same contrast sidebar accessed with the **Contrast** option in the *Image Settings* menu. Direct slidebars are listed below.

LIST OF DIRECT SLIDEBARS	
H-Position or V-Position	Position
Pixel Tracking or Phase	Pixel
Volume	VOL
Contrast	Cont
Brightness	Bright
Color	Color
Tint	Tint
Detail	Detail

Use the arrow keys to adjust a direct sidebar, or press **Enter** and enter a specific number from the keypad, then **Enter** or **←** or **→** to save ( or **Exit** to cancel). When you are done, press **Exit** to save and return to your presentation.

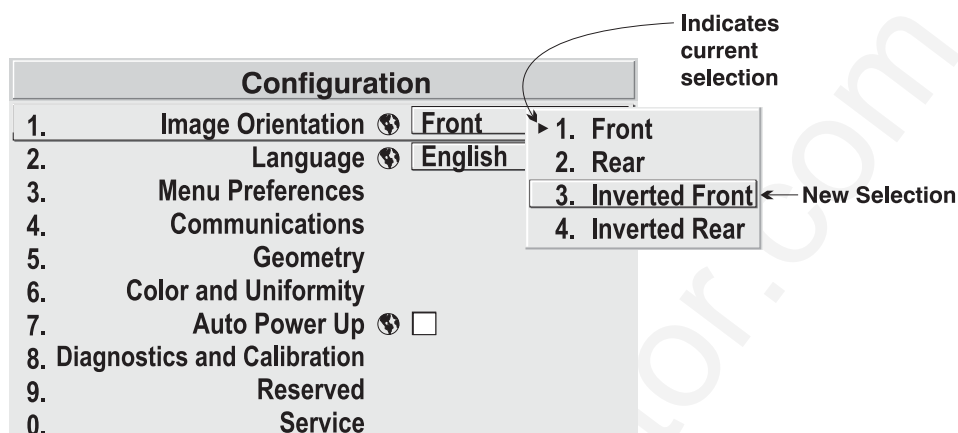
*NOTES: 1) You can still adjust a direct sidebar as usual if the menu display is turned off (see **OSD\*** or **Menu Preferences** menu) — the sidebar just won't be visible. 2) A direct sidebar disappears if it is not used within 5 seconds.*

**Checkboxes** - Conditions are present if its adjacent checkbox contains a checkmark. To toggle the checkbox, simply highlight and press **Enter**, or highlight and use **→** to check and **←** to uncheck. For a checkbox that is numbered, simply enter the number of the option to toggle the checkbox.

- 5. Broadcast Keys

**Pull-down lists** – To see a pull-down list of options available for a given parameter labeled with a ▼, you can:

- Highlight it and press **Enter**
- Or enter the menu option number.



**Figure 3.8. Example of Pull-Down List**

Use **▲ON** or **▼OFF** keys to navigate up and down within the list (the current choice is noted with a small ' '). Press **Enter** to choose an option from the list, if desired.

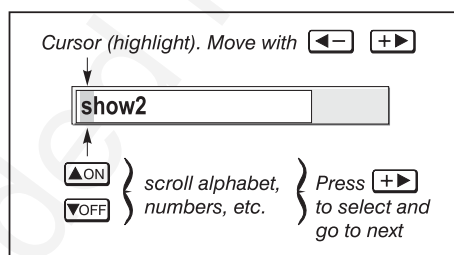
Or, if you prefer to quickly scroll through a list without first pulling it down, highlight the option and use **◀-** or **+▶**. Press **Enter** when the desired choice appears.

*NOTES: 1) Press **◀-** or **+▶** to jump between "pages" in an extra long pull-down list. 2) Press **Exit** while in a pull-down list to **cancel** any change.*

## Editing Text

**ACTIVATE THE EDIT WINDOW:** To enter or edit text, highlight the desired parameter (such as a channel name) and press **Enter** to activate its adjacent edit window. Any previously entered text is displayed with its first character highlighted in a square cursor, signifying that this character is ready for editing.

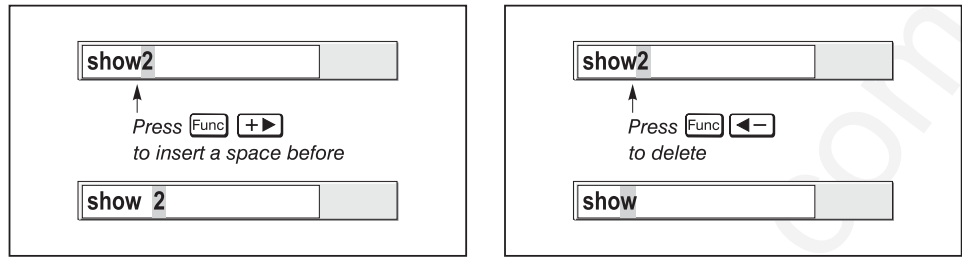
**NAVIGATE WITHIN THE EDIT WINDOW:** Press **+▶** to move the cursor forward or **◀-** to move the cursor backwards as desired.



**Figure 3.9. Entering Text**

**EDIT A CHARACTER:** To edit a highlighted character, use **▲** and **▼** to scroll through the alphabet, numbers, spaces and punctuation available. When the character you need appears, press **+▶** to select it—the cursor will move to the next character of current text, if present. Note that you can also enter a number directly from the keypad—it will be accepted and the cursor will move on.

**ADD OR DELETE A CHARACTER OR SPACE:** To insert a space at the cursor location, press **Func +▶**. To delete a highlighted character (or space), press **Func ◀-**.



**PRESS [Enter] WHEN FINISHED:** To accept the edits and move out of the edit window, press [Enter].

*NOTE:* Press [Exit] at any time to cancel changes and return to the previously-defined text.

### Editing Numerical Values

Enter numbers directly from the keypad in order to specify numbers representing projectors, channels (source setups), switchers, or slots. As each digit is entered, it is displayed and the cursor moves on. Note that channel numbers are defined with 2 digits—for example, if you enter only a single digit (like “7”) for a channel number, the channel will automatically be defined as “07”. Use “07” to utilize this channel.

*NOTES:* 1) Once you enter the first digit, this digit replaces all old digits. 2) If you press any non-numbered key, the number entered up to that point is accepted and updated as the new value. 3) Press [Exit] to cancel editing of numerical values.

*NOTE:* See **Section 2, Installation and Setup**, for a full explanation of how to connect a variety of sources to the projector.

## 3.5 Using Inputs and Channels

The projector stores and automatically recalls up to 99 different channels (source setups) for a variety of inputs. This memory feature allows you to define and conveniently use a wide variety of customized setups rather than having to repeatedly re-configure the projector for different presentations. Each physical source (i.e., *input*) can have several different channels associated with it.

### Do I Select an Input Or a Channel?

**INPUT** - An input simply describes a physical location for an incoming signal connection. These connections are always either on the projector itself (one of the four inputs at the rear of the projector) or on any switcher connected to the projector’s switcher port. [Input] describes the source signal according to two specific criteria only—to which *switcher* it is connected and to which *slot* it is connected—and is identified by a 2-digit number entered on the keypad. The first digit specifies the switcher (0-9), the second specifies the slot (1-9). Note that the projector is always considered “switcher #0”.

**EXAMPLES:**

[Input] 1 3 = use source connected to switcher #1, slot #3

[Input] 0 1 = use source connected to the projector, slot #1 (i.e., [Input1])

You can switch to an input in either one of two ways. Pressing the appropriate direct key — [Input1], [Input2], [Input3], or [Input4] — is a quick and seamless way to display from one of the four inputs connected at the rear of the projector. Or, if your projector has a switcher connected to it at the **SWITCHER** port, press the general [Input] key and enter

the 2-digit number representing the switcher and slot location for the desired signal (note there is no on-screen feedback for entering the numbers).

Regardless of which method you use to select a source/input, the image will be displayed according to the following:

***If it is the first time you have used the source/input*** (or if you used the input but did not define a channel by adjusting anything), the projector will recognize the new input signal based on its frequencies and polarities, and will automatically display an image according to default settings for such a signal. Note that a graphic source will resize into a full-screen image, whereas video or HDTV sources will resize only as much as possible while maintaining their aspect ratio.

***If you used the source once before and changed a display parameter*** such as contrast, V-Position etc., then a channel was automatically created and still exists in projector memory (see below). Using an **[input]** key will automatically recall this channel—and all its setup parameters—and update the display accordingly.

***If more than one channel exists*** for the input, the image will be displayed according to the setup parameters for the first channel with matching characteristics.

**CHANNEL** - A channel is a collection of measurements, locations and settings that tailor a display to your specific needs. Since source types and applications can vary greatly, you will likely want to adjust and define a wide variety of parameters, such as brightness, contrast, tint, size, etc., in order to customize and optimize the display coming from a particular source. For example, the display settings you choose for a VCR source may be very different from those you choose for a high resolution computer source, or one signal may simply vary from another signal used earlier through the same input location. Once you have adjusted a display parameter, such as pixel tracking or contrast, all current settings are collectively stored in the projector's memory as a unique 2-digit channel, such as **[0][9]**. You can have numerous distinct channels available for the same input, any of which can be selected by using the **[Chan]** key on the keypad followed by the 2-digit channel number.

**NOTE:** The **[Chan]** key may display a channel list or not, depending on what you have defined within the **Menu Preferences** menu (see **Menu Preferences** later in this section). Shown at right is a sample channel list available from **[Chan]**.

		current channel#		
<b>[chan]</b>		<b>Channel: 02</b>		
01	0,2	pDig	64.09k+	60.12+
02	0,1	i3LG	33.72-	59.94-
03	0,4	iSVid	15.73k-	59.94-
04	0,3	pCVid	15.73+	59.94+
05	0,1	p4WH	Fred's computer	

↑ channel#      ↑ signal type      ↑ H and V frequencies, or channel name

↑ location

**Channel List** (**[Chan]**)

In order to use channels (**[Chan]** on the keypad), you must first create them. See below.

### Creating a New Channel — AUTOMATIC —

To use a new source with the projector, a new channel must be added to projector memory so that the projector will respond properly to an input signal from that source in the future. A new channel can be created automatically, as described here, or it can be copied from an existing channel and then edited as necessary (see *Copying or Deleting Channels* later in this section).

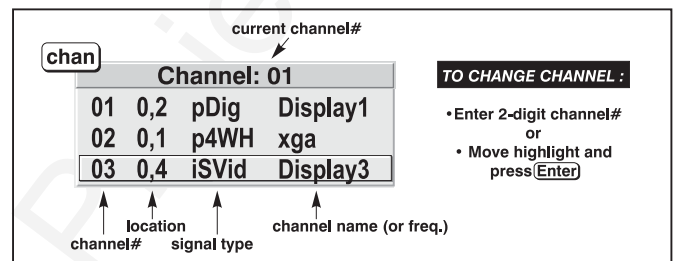
When you select a direct input (press **[input]** or **[input1]**, **[input2]**, **[input3]** or **[input4]**), the existing channels in the projector are searched for matching input and signal parameters. If no match to the incoming input signal is found in the currently defined channels, a new

channel is temporarily created based on factory-defined defaults for this signal. The *channel number* assigned to this channel is the lowest available number from 01-99.

**NOTES:** 1) An automatic channel will be discarded unless one or more of its parameters are changed, and will not appear in the **Channel List** (see below). 2) If two channels have the same distinguishing source characteristics except for the reversal of sync connectors (i.e., H-sync and V-sync, are switched), they are still defined as distinct channels. 3) You cannot define a new channel without a signal present.

If the incoming signal *does* match an existing channel, the image will be set up and displayed as usual according to the parameters currently defined for that channel.

**USING A CHANNEL:** You can normally select a channel at any time by pressing **Chan** (see right). If you want to prevent a channel from appearing in this list, you must edit the channel as described in *Channel Edit* later in this section. Such a channel can still be selected as shown at right.

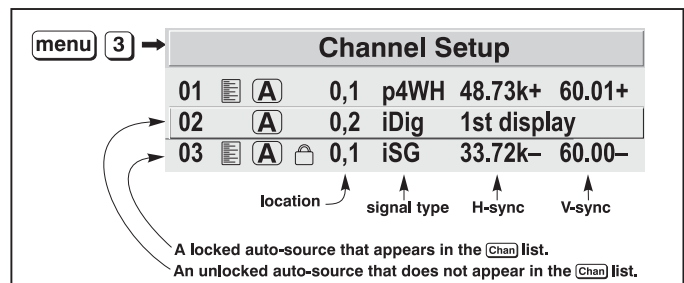


**NOTES:** 1) The current channel is highlighted upon entering the **Channel List**, or, if this channel is not displayed in the list, the first channel in the list is highlighted. 2) Channels created automatically do not appear in the **Channel List** unless a parameter has been changed.

### What Channels Are Defined So Far?

All available channels are listed in the *Channel Setup* menu, which describes how each channel can be accessed and which serves as the gateway for editing, copying and deleting channels.

From the presentation level press **Menu** to display the *Main* menu. To display the *Channel Setup* menu, press **3**, or move the highlight to the *Channel Setup* option and press **Enter**. The *Channel Setup* menu will appear (see sample at right), with the active channel highlighted.



**Figure 3.10. All Channels Appear in the Channel Setup Menu**

**WHAT APPEARS IN THE CHANNEL SETUP MENU?** As shown in Figure 3.10, this menu lists all channels defined so far and indicates how they are connected to the projector. The far left column contains current channel numbers defined. The values in the far right columns indicate horizontal and vertical frequencies—if a name has been defined for this channel, it appears here instead. Other columns contain details pertaining to each channel setup, such as its switcher number, slot location, a variety of icons indicating access to the channel, and an abbreviated description of each signal type. See *Editing a Channel Setup* for details.

**SIGNAL TYPE** — Either channel list, whether the **Chan** key list or the *Channel Setup* menu, identifies signal types in a shortened form as defined below. These descriptors indicate what signal information the projector used to identify a match for a given channel, and are preceded by either an “**i**” (interlaced signal) or “**p**” (progressive signal). See Table 3.1.

**Table 3.1. Abbreviations for Signal Type**

<b>Abbrev.</b>	<b>Signal Type</b>
4WH	Composite (4 wire) on HC input
4WV	Composite (4 wire) on V input
SG	Sync-on-green
SR	Sync-on-red
5W	Separate H,V
5WR	Separate H,V swapped
SVid	S-Vid
CVid	Composite Video
3LH	Tri-Level on HC input
3LV	Tri-Level on V input
3LG	Tri-Level on green
E3LH	European Tri-Level on HC input
E3LV	European Tri-Level on V input
E3G	European Tri-Level on green
Dig	Digital

If you have more than a handful of channels, use **◀** and **▶** to see the remaining channels not visible in this initial display.

To copy, delete or edit any of the channels listed in the *Channel Setup* menu, highlight the desired channel and do one of two things:

- Press **Func** if you want to copy the selected channel or delete this or other channels. See *Copying or Deleting a Channel* below.
- Press **Enter** if you want to edit channel setups (i.e., non-image related parameters) for the selected channel. See *Editing a Channel Setup*, below.

### **Copying or Deleting Channels**

**TO COPY A CHANNEL**, highlight the desired channel in the *Channel Setup* menu, then press **Func** to go to the *Channel Copy/Delete* submenu. Select “Copy” and press **Enter**—a new channel will be created. It is identical to original, which still remains, but it is identified with the next available number from 01-99. If you change your mind and do *not* want to copy the current channel, press **Exit** to cancel and return to the previous menu. Copying channels is a quick method for creating numerous channels, each of which can then be edited and adjusted for a variety of presentations in the future.



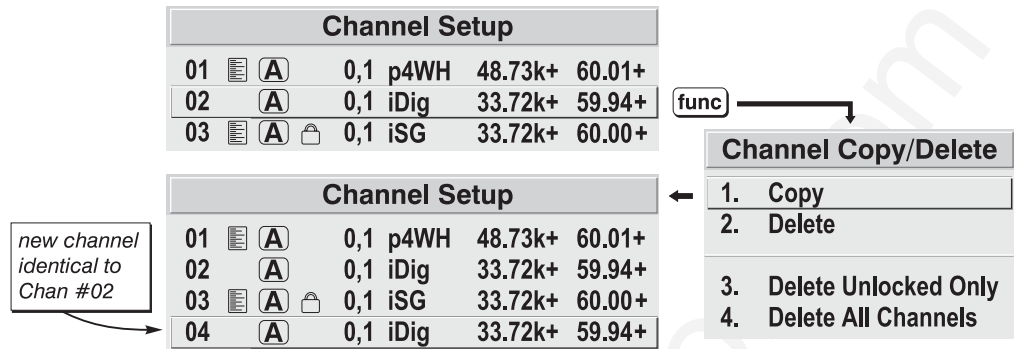


Figure 3.11. Copying A Channel

**TO DELETE A CHANNEL**, highlight the desired channel in the *Channel Setup* menu, then press **[Func]** to activate the *Channel Copy/Delete* submenu. Select “Delete” and press **[Enter]**—a confirmation window will appear to make sure that you really want to delete this channel.

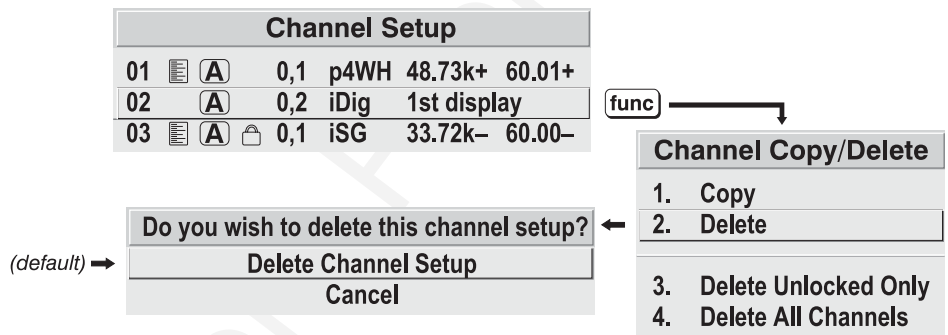


Figure 3.12. Deleting a Channel

**TO DELETE MULTIPLE CHANNELS**, highlight any channel in the *Channel Setup* menu and press **[Func]** to go to the *Channel Copy/Delete* submenu. Select “Delete Unlocked Only” and press **[Enter]** to delete all unlocked channels. Or select “Delete All Channels” to delete all channels, even those that are locked. In either case, the current channel will remain but will be redefined from projector defaults.

*NOTE: For any deletion, a confirmation box appears to make sure that you really want to delete. Select “Cancel” (default) if you don’t want to delete after all.*

**Editing a Channel Setup**

The basic setups that describe how and where a channel can be accessed are listed in the *Channel Setup* menu. These channel setups can be edited at any time in the *Channel Edit* submenu.

**CHANNEL EDIT — STEP 1**

From the presentation level press **[Menu]** to display the main menu. To display the *Channel Setup* menu, press **[3]**, or move the highlight to the *Channel Setup* option and press **[Enter]**. The *Channel Setup* menu will appear.

**CHANNEL EDIT — STEP 2**

To edit parameters shown in the *Channel Setup* menu, select the relevant channel and press **[Enter]**. The *Channel Edit* menu will appear similar to the sample shown in Figure 3.13.



Channel Edit				
1.	Name	pres2	Sync Type	S-Video
2.	Number	02	H-Sync	-15.73 kHz
3.	Switcher	0	V-Sync	-59.94 Hz
4.	Slot	4	Interlace	Yes
5.	In Menu	<input type="checkbox"/>		
6.	Auto Source	<input checked="" type="checkbox"/>		
7.	Locked	<input checked="" type="checkbox"/>		
8.	Previous Channel			
9.	Next Channel			

Hint text

**Figure 3.13. Channel Edit Menu (SAMPLE)**

**CHANNEL EDIT — STEP 3** If desired, edit the following channel setups in the *Channel Edit* menu:

- **CHANNEL NAME:** An alpha-numeric label can be defined and/or changed here. Channel names can be up to 12 characters in length.
- **CHANNEL NUMBER:** A channel number from 01 to 99 can be changed here. *NOTE: If you enter a channel number that already exists, a dialog message appears indicating that this number is already in use—assign a different channel number.*
- **SWITCHER NUMBER:** “0” represents the projector itself. Or, if the input source is connected to a switcher, the default will be the lowest switcher number available (from 1-9)—change here as desired.
- **SLOT:** 1 () , 2 () , 3 () , or 4 () for projector inputs, or current slot number (1-9) if the source is connected to a switcher.
- **LOCKED:** If checked, all of the image settings for this channel are disabled. If unchecked (default), all available image settings can be adjusted as desired. You cannot use Auto Setup with a locked channel.
- **IN MENU:** If checked (default, except for automatically defined channels with unchanged parameters), this defined channel will then appear in the list available when  key is pressed. If unchecked, the channel must be accessed via  on the keypad or via the Auto Source function. *NOTE: On-screen display of the channel list is an option that must be set in the **Menu Preferences** menu.*
- **AUTO SOURCE:** If checked, (default), the projector can automatically locate this channel when an incoming input signal matches. If not checked, the projector can locate the selected channel only when it is directly selected via  on the keypad—and a change in input signal will *not* result in a channel change.
- **PREVIOUS CHANNEL:** Select this option to see or change *Channel Edit* settings for the previous channel in the *Channel Setup* list.
- **NEXT CHANNEL:** Select this option to see or change *Channel Edit* settings for the next channel in the *Channel Setup* list.

### 3.6 Adjusting the Image

Most options for source-specific image adjustments can be accessed through two menus: *Size and Position* (Menu 1) and *Image Settings* (Menu 2), both of which are listed in the *Main* menu. While in either of these two menus, you can change settings affecting the image from the current channel by working with the appropriate slidebars, checkboxes and pull-down lists. Exit will always return to the previous menu (or to the presentation, if from the *Main* menu) and accept any changes you may have made. Or you may prefer to begin with an automated setup in which the projector quickly defines certain parameters for you—select *Auto Setup* from the *Main* menu. These settings can then be fine-tuned in *Size and Position* and *Image Settings* at any time.

From your presentation, access any of the individual options in these menus by pressing Menu followed by the appropriate two-digit number representing their location in the menu system. For example, press Menu 2 6 to quickly access the “Color Setup” option in the *Image Settings* menu.

For certain options, you may prefer to use a “direct key” from presentation level to go directly to a particular option rather than traveling through the menu system at all (*note: this is not available for all display parameters*). For example, press Cont to access the “contrast” sidebar immediately. Press Exit to return to your presentation.

*NOTE: 1) To hide the “direct” slidebars only, make sure the Display Slidebars option in the Menu Preferences menu is unchecked. 2) To hide the entire menu system from view, toggle the on-screen display OFF: press and hold the OSD key.*

#### Auto Setup

If you want the projector to quickly set up the image for you, select “Auto Setup” from the *Main* menu. A confirmation box will ask if you really want to continue, in which case display parameters listed in the Table below will be set for you. An “Auto Setup” can save time in setting up an image, and you can also make further adjustments as desired. You must have an unlocked channel present to use Auto Setup.

**Table 3.2. Auto Setup Parameters**

What an “Auto Setup” Does	
OPTIMIZES:	SETS TO DEFAULT:
Pixel Tracking	Contrast & Brightness
Pixel Phase	Auto Input Level (off)
Size	Blanking
Vertical Stretch	Detail (if video source)
Position	Filter
Input Levels (if analog source)	Luma Delay

## Image Size and Position

The two-page *Size and Position* menu allows you to increase or decrease the size of your image, change its proportion (aspect ratio), move the image to a specific area of the screen, and refine other related parameters. Use *Size and Position* controls to match the image precisely to the screen size and aspect ratio needed for your application.

Refer to "Using Slidebars and Other Controls" (earlier in this section) if you need help using any of the following slidebars or pull-down lists to alter your image. Changes made to the *Size and Position* menu are applied immediately and are saved when you exit the menu (press **Exit** or **Menu**).

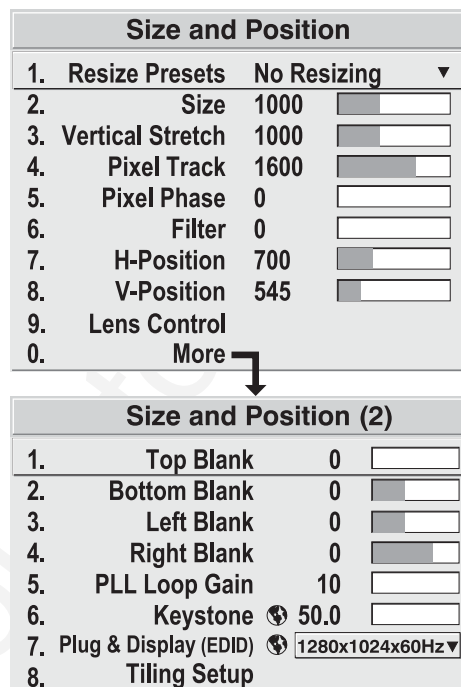


Figure 3.14. Size and Position Menu

### Resize Presets

Use *Resize Presets* to quickly display an image in its native resolution (including anamorphic) or to automatically resize an image to closely fit the screen. The value for *Size*, *Position* and *Blanking* parameters (described later) will, in turn, change as necessary without your having to set them manually. Resizing options for non-tiled applications are explained in detail below.

Resize Presets	
1. Default	= maximize for current source
2. No Resizing	= display in native resolution
3. Full Size	= fill the screen (regardless of source)
4. Full Width	= fill display width
5. Full Height	= fill display height
6. Anamorphic	= retain 16:9 aspect ratio ("letterbox")
7. Tiled Full Size	} Same as above except across multiple screens. Requires a "Tiled Setup"
8. Tiled Full Width	
9. Tiled Full Height	
0. Tiled Anamorphic	

Figure 3.15. Resize Presets Choices

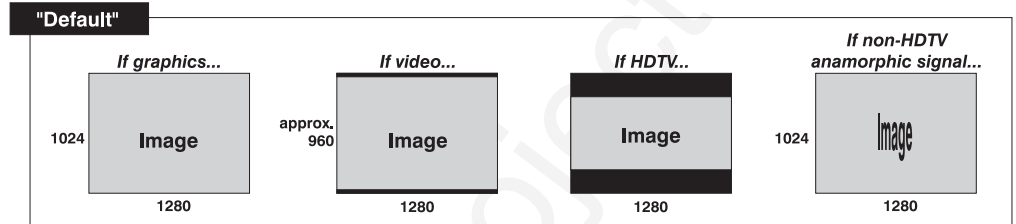
**WHAT IS THE PROJECTOR'S DEFAULT?** When displaying a new source, by default your image will fill the screen as fully *as possible* for the type of source present. See *Select "Default"* below.

**WHEN "CUSTOM" APPEARS:** The "Custom" descriptor automatically appears in the *Size and Position* menu when any of the values for *Size*, *Vertical Stretch*, *H-Position*, *V-Position* or any *Blanking* do not correspond to those for a preset. It is not an option in the *Resize Presets* pull-down list.

- Select "DEFAULT" (default) for most images. This option will center and display your image as large as possible *for the present source* as described below:
  - ✓ **A graphic image** will resize to fill the screen, regardless of its original aspect ratio. For example, 1024 x 768 becomes 1280 x 1024 in "S" models.

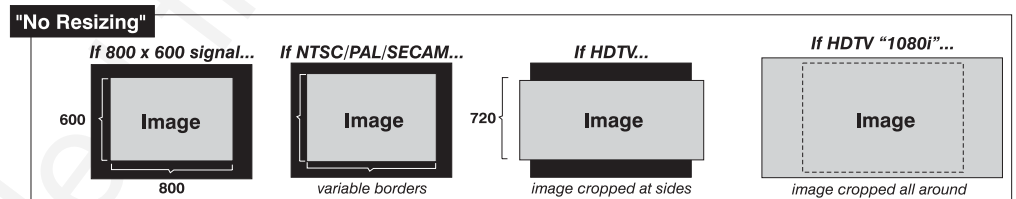
- ✓ **A video image** will resize to fill the screen while still maintaining its aspect ratio (assumed to be 5:4).
- ✓ **An HDTV wide-screen (16:9) image** will resize to fill the screen horizontally while maintaining its 16:9 aspect ratio—i.e., there will be black borders at top and bottom, commonly called “letterboxed”.
- ✓ **A non-HDTV anamorphic (16:9) image**, typical of DVDs, will be stretched vertically.

So with the exception of HDTV (16:9), the “Default” setting produces an aspect ratio that is either almost or exactly 5:4 (if “S” model) or 4:3 (if “X” model). See examples below.

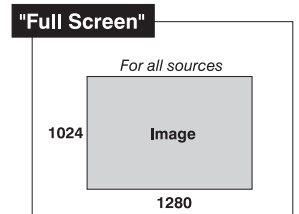


NOTE: Shown with “S” model resolution (1280 x 1024). “X” models are 1024 x 768.

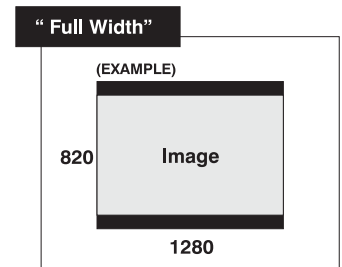
- Select **“NO RESIZING”** to display the image in its native resolution, which may be smaller or larger than the native resolution of the projector. All *Size, Vertical Stretch, H-Position, V-Position* or *Blanking* values will change accordingly. For example, for a source with a native resolution of 800 x 600, “No Resizing” will center a small image within a black border. Conversely, an HDTV image is wider than both 1024 and 1280 and will be cropped on the sides—or, in the case of “1080i” HDTV, cropped at top and bottom too. With “No Resizing”, signals with non-square pixels, such as video connected to **INPUT 3** or **INPUT 4**, produce distorted images that are too tall or too wide. See below.



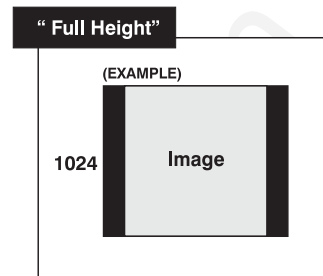
- Select **“FULL SCREEN”** to use *all pixels* (1024 x 768 in “X” models, 1280 x 1024 in “S” models) for displaying the image, regardless of source or original aspect ratio. See right. NOTE: SXGA resolution shown.



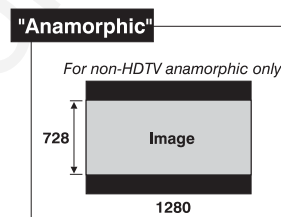
- Select **“FULL WIDTH”** to fill the display from left-to-right. Depending on the source, this may create top and bottom borders.



- Select “**FULL HEIGHT**” to fill the display from top-to-bottom. Depending on the source, this may create side borders.



- Select “**ANAMORPHIC**” to display an entire *non*-HDTV “wide screen” (anamorphic) image in its native 16:9 aspect ratio. Known as letterbox, the image will fill the screen from left-to-right, but will not use all vertical pixels available (top and bottom will be black). If you do not choose “Anamorphic” when a non-HDTV anamorphic image is present, the default image will be stretched vertically, characterized by obvious distortion and “thin people”.



*NOTE: 1) SXGA resolution shown. 2) Use “Anamorphic” for regaining a 16:9 display of non-HDTV anamorphic sources only (typically found on some DVDs, for example). For HDTV, the “Default” setting will produce the same result.*

- All **TILED** resizing choices are selectable only if you have defined a tiled group of projectors in the *Tiling Setup* submenu. See 3.10, *Using Multiple Projectors*.

### Size

Size controls both the image *width* and *height* in tandem, maintaining the original aspect ratio (proportion) of data from the incoming signal. Under some conditions in “X” models, adjusting *Size* also adjusts *Keystone*.

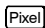
*NOTE: If Size \$1000 (1000 = No Resizing) and Size x Vertical Stretch value \$1,000,000, adjusting Size also adjusts keystone simultaneously. Requires “X” model.*

### Vertical Stretch

Vertical stretch adjusts the *height* the image while keeping the width constant. Use *Vertical Stretch* to display data from the incoming signal in a different aspect ratio. Under some conditions in “X” models, adjusting *Vertical Stretch* also adjusts *Keystone*.

*NOTE: If Size \$1000 (1000 = No Resizing) and Size x Vertical Stretch value \$1,000,000, adjusting Vertical Stretch also adjusts keystone simultaneously. Requires “X” model.*

### Pixel Track


**(SHORT CUT:** Press  and adjust the top slidebar.)

Pixel tracking adjusts the frequency of the pixel sampling clock, indicated by the number of pixels per line, so that all pixels generated by a particular source are sampled. Proper pixel tracking ensures that the image quality—whether good or poor— is *consistent* across the screen, that aspect ratio is correct, and that pixel phase can be optimized (below).

*NOTE: By default, the projector will sample at the correct frequency for most sources.*

Pixel tracking is adjusted most effectively using a good test pattern, such as a smooth gray consisting of a clear pattern of tiny black and white dots, or a similar “half on, half off” graphic image, such as the *Windows* shutdown screen. Steady flickering or several soft vertical stripes or bands across the entire image indicates poor pixel tracking. Adjust the slider until the stripes broaden to the point where one large stripe fills the image. Again, the image may still exhibit some noise. See *Pixel Phase*.

### **Pixel Phase**

**(SHORT CUT:** Press  and adjust the bottom slider.)

Pixel phase adjusts the phase of the pixel sampling clock relative to the incoming signal. It is used primarily for adjusting RGB inputs.

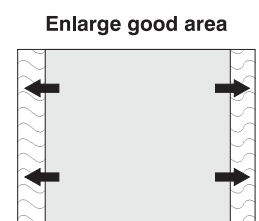
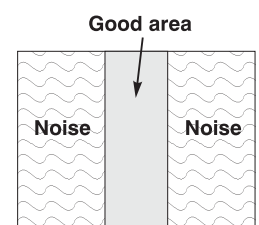
*NOTE: Adjust pixel phase **after** pixel tracking is properly set.*

Adjust pixel phase when the image (usually from an RGB source) shows shimmer or “noise”. Pixel phase adjustment is done most effectively from within a proper test pattern, such as a smooth gray consisting of a clear pattern of tiny black and white dots, or a similar graphic image, such as the *Windows* shutdown screen. Adjust until the image is stable and each dot is clearly defined. Using the numbers on the slider as a guide, you will notice that you can actually stabilize the image at more than one point—i.e., you may find that the image appearance at “11” is identical to the image appearance at “38”, thus you can select either setting.

### **Filter**

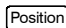
Filter applies a low pass filter to the input signal. This removes high frequencies which can improve pixel phase noise but which also reduces signal bandwidth. Note that most signals will not require any filter adjustment—use the filter option only if standard pixel tracking and phase adjustments do not adequately clear up a “noisy” signal. For best results:

1. Optimize *Pixel Tracking* and jot down the value.
2. Optimize *Pixel Phase*
3. If the image is still too noisy, return to *Pixel Tracking* and “mis-adjust” so that 2 vertical bands of noise appear, separated by a good center band. See right.
4. Adjust *Filter* to maximize the width of the good area. See right.
5. Return *Pixel Tracking* to its correct setting from Step 1.
6. Readjust Phase.



*NOTE: “Filter” affects only the current signal.*

### **H-Position**

**(SHORT CUT:** Press  and adjust the top slider.)

This option moves image right or left.

*NOTE: The value shown represents where the approximate center of the image lies in relation to the total number of pixels available horizontally. This varies widely according to the signal—watch the image while adjusting.*


### V-Position

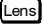
**(SHORT CUT:** Press  and adjust the bottom slider.)

This option moves the image up or down.

*NOTE: The value shown represents where the approximate center of the image lies in relation to the total number of pixels available vertically. This varies widely according to the signal—watch the image while adjusting.*

### Lens Control (STANDARD IN ROADSTER ONLY)

**(SHORT CUT:** Press ) to activate the *Lens Control* submenu.)

For a full description of the *Lens Control* submenu, see 3.3, *Using the Keypad* () and 2.8, *Zoom, Focus and Lens Offset*.

### Blank: Top, Bottom, Left or Right

These sliders *blank* (turn to black) the top, bottom, left, or right edge of the image so that any unwanted information is cropped from view. For example, when displaying native size video you may want to blank out a few of the top lines. Do not use in combination with Keystone control.

Blanking		
1. Top Blank	8	<input type="text"/>
2. Bottom Blank	4	<input type="text"/>
3. Left Blank	18	<input type="text"/>
4. Right Blank	1	<input type="text"/>

### PLL Loop Gain

This control changes the relative offset to the default gain. The default PLL (Phase Lock Loop) Loop Gain setting of 10 is set automatically with a Pixel Tracking adjustment and is correct in most cases. In rare instances, such as if your image exhibits tearing or “flag-waving”, increase the PLL loop gain setting as necessary. Or, if your image is unstable and “breaks up”, this may indicate that the PLL loop gain setting is either too high or too low. PLL Loop Gain affects the current channel only.

### Keystone

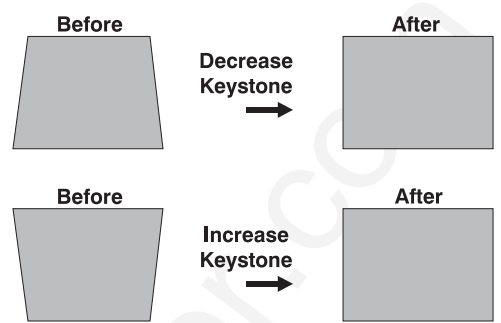
*NOTE: This function is not available in “S” models.*

Adjust the keystone control if images appears non-rectangular or *keystoned* in shape—that is, smaller at either the top or bottom edge. The effect of keystone adjustment is similar to physically tilting the projector forward or backward in relation to the screen, and it affects all sources.

*NOTES: 1) Keystone is enabled for a source only if Size is \$1000 and Size x Vertical Stretch is \$1,000,000. 2) Keystone adjustment is not available in “S” models. 3) Avoid using Keystone with Blanking.*



Generally, set at 50 (default) to apply no keystone—if your projector is positioned with its lens surface parallel to the screen, images will be rectangular. If images are too narrow at the bottom, increase keystone. If images are too narrow at the top, reduce keystone.



The keystone control may be limited when Size is just slightly greater than 1000. In general, work with image size, stretch and keystone controls as necessary for your application.

**Plug & Display (EDID)**

*NOTE: Requires optional DVI Input Module. Disabled for all other inputs.*

By default, the Plug & Display option detects an incoming digital flat panel video signal and displays it in the native resolution of your projector. If you have additional daisy-chained projectors, they will display in this resolution as well. If you want to use a different resolution (for example, your graphics card may not support the current resolution), select a different Plug & Play setting from the list.

- 1. 1024x768x60Hz
- 2. 1024x768x120Hz
- ▶ 3. 1280x1024x60Hz
- 4. 1280x1024x105Hz
- 5. 1600x1200x45Hz

**Tiling Setup**

See 3.10, *Using Multiple Projectors (Tiling Setup section)*.

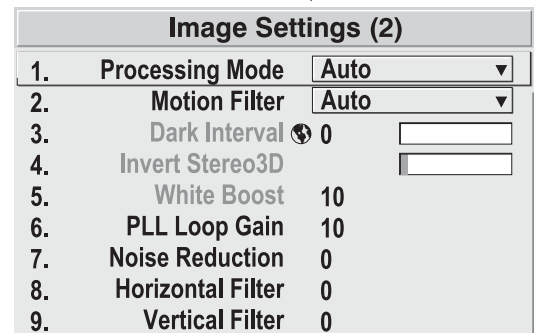
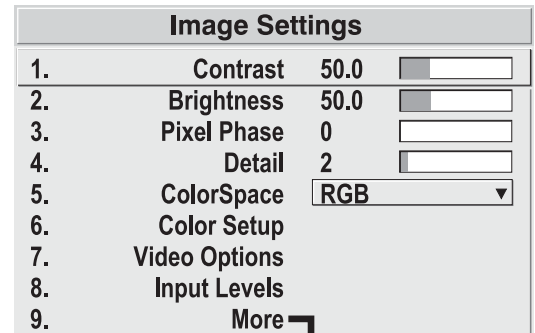
**Image Settings**

Use options in the two-page *Image Settings* menu to alter your image in ways that do not affect its size or position. Changes made to the *Image Settings* menu are applied immediately and are saved when you exit the menu (press **Exit** or **Menu**). Options not available for your projector model appear dimmed and are disabled.

**Contrast**

**(SHORT CUT:** Press **Cont** and adjust the sidebar.)

“Contrast” increases or decreases the perceived difference between light and dark areas of your image (0-100). If contrast is set too high, the light parts of the image lose detail and clarity. If set too low, the light areas will not be as bright as they could be and the image will be dim. Start low and increase so that whites remain bright but are not distorted or tinted, and that light areas do not become white (i.e., are “crushed”). For best results, keep close to 50.



**Figure 3.16. Image Settings Menu**



### Brightness

**(SHORT CUT:** Press **Bright** and adjust the sidebar.)

“Brightness” increases or decreases the amount of black in the image (0-100). Start high and decrease so that dark areas do not become black (i.e., are “crushed”). Conversely, high brightness changes black to dark gray, causing washed-out images. For best results, keep close to 50.

### Pixel Phase

**(SHORT CUT:** Press **Pixel** and adjust the sidebar.)

See description in *Size and Position* section, above.

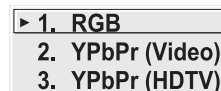
### Detail

**(SHORT CUT:** Press **DETAIL** and adjust the sidebar.)

“Detail” adjusts the sharpness of a video image. Use **←** and **→** until the display is as sharp as desired, keeping in mind that any increase in detail above 3 (default) will also introduce a certain degree of noise in the image. Set below 3 to filter the signal and remove noise from a noisy source. Keep at 3 to apply no detail.

### Color Space

This option determines how the color components of an input signal are decoded for accurate color in the display. Selecting a color space option is useful only for analog signals connected to **INPUT 1** or **INPUT 2**. Although the color space for such a signal is automatically determined by the projector, in some circumstances you may wish to override this and manually set a different color space.



*NOTE: For digital signals or for signals connected to **INPUT 3** or **INPUT 4**, the color space function is entirely automatic and the pull-down list disabled.*

- Select **RGB** unless you are using component video at **INPUT 1** or **2**.
- Select **YPbPr (Video)** with a standard definition televised signal (SDTV)
- Select **YPbPr (HDTV)** with a high definition televised signal (HDTV).

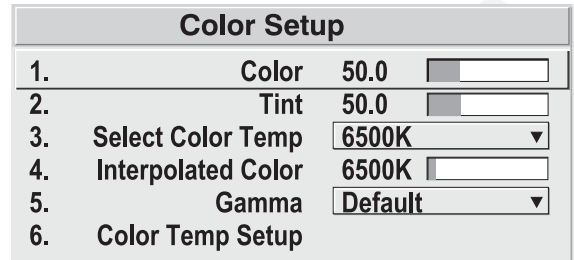
*NOTE: When certain RGB signals are first connected, the projector may not initially recognize them as RGB and will incorrectly decode their color information as YPbPr (video). These signals can include:*

- RGB signals in NTSC, PAL, SECAM frequency ranges
- Scan-doubled sync-on-green
- Scan-quadrupled sync-on-green

*For these signals, change the Color Space to RGB, which will define a new channel for future use.*

### Color Setup

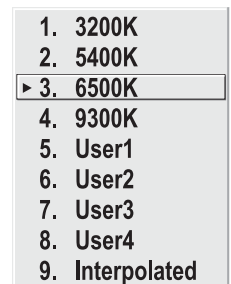
Select this submenu to work with aspects of color—adjust for saturation and overall hue in video signals, or adjust gamma or temperature in any signal.



**COLOR** — “Color” adjusts the color saturation level or the amount of color in a video image. When set to “0” the image appears black and white, and when set too high the colors appear overpowering and unrealistic. Use **◀** and **▶** to adjust “Color” until the desired saturation level is displayed. For a shortcut to “Color” slider, press **Color** at any time.

**TINT** — “Tint” adjusts color hue to obtain true color reproduction of NTSC video signals or HDTV signals. Use **◀** and **▶** until the desired balance or red-to-green is displayed in your image. It is best to adjust tint while displaying an external test pattern—otherwise, it is recommended that tint remain at its default setting. For a shortcut to “Tint” slider, press **Tint** at any time.

**SELECT COLOR TEMP** — “Select Color Temp” applies either a preset color temperature (3200K, 5400K, 6500K or 9300K) or any previously “User” defined color temperature. Color temperatures are measured in degrees Kelvin and represent the “coloration” (reddish or bluish) of the whites displayed by the projector—the lower the temperature, the more reddish the whites; the higher the temperature, the more bluish the whites.

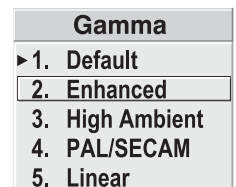


*NOTE: The custom temperatures “User” or “Interpolated Color” can be defined in the **Color Temperature Setup** menu. Until defined, these custom choices all default to 6500K. See 3.8, **Configuring System Parameters**.*

**INTERPOLATED COLOR** — Use this option if you need a specific color temperature that lies somewhere between one preset color temperature and another. Adjust the slider to define a new temperature which will be interpolated from the neighboring presets (for example, 7841 is interpolated from 6500 and 9300). This slider is disabled unless you have a source connected and have selected “Interpolated Color” in the “Select Color Temp” pull-down list.

**GAMMA** — *NOTE: Gamma does not normally require adjustment and is intended for experienced users only.*

The “Gamma” option affects the shape of the curve determining what gray shades are available for a given amount of signal input between minimum (black) and maximum (white). Different curves can improve performance for certain kinds of source input and applications. Generally the best gamma curve is one that produces maximum contrast, brightness and color performance for the current signal and ambient lighting conditions.



**DEFAULT (default)** – This setting provides good black levels and high contrast under optimum viewing conditions for virtually all types of images, including video, HDTV and computer graphics.

**ENHANCED** – This setting elevates *middle* gray levels compared to “Default”, and provides a more gradual rolled-off transition to maximum white. Together, these differences can improve the appearance of many kinds of images.

**HIGH AMBIENT** – This setting elevates *low* gray levels compared to the “Default” and “Enhanced” settings. In high ambient light conditions, details can be seen in the dark parts of an image that would otherwise be difficult to perceive.

**PAL/SECAM** – This setting results in a darker image with higher contrast. The gamma curve more closely matches the official standard for PAL and SECAM video signals.

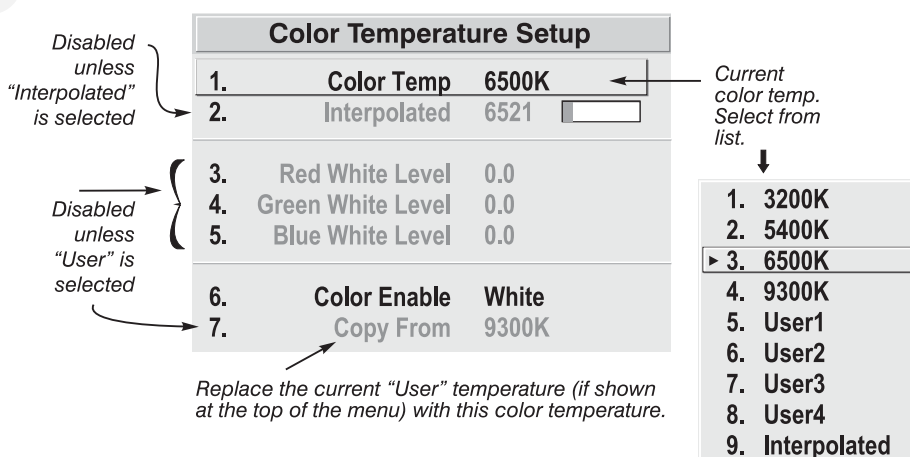
**LINEAR** – This setting is a straight, linear transition from black to white. For normal source signals, it results in a picture of low contrast with highly elevated low- and mid- level grays. It should be used only with sources that have their own pre-applied gamma control.

**COLOR TEMPERATURE SETUP** — Use the *Color Temperature Setup* submenu to apply, alter, add, or copy a color temperature, or if you want to use an unaltered factory default color temperature.. This menu is duplicated in other locations.

By default, the projector can utilize any of four calibrated factory-set color temperatures: 3200, 5400, 6500 or 9300 (expressed in degrees Kelvin). For most applications, these temperatures will display accurate and realistic colors from a variety of sources. They can be selected at any time from the “Select Color Temp” list in the *Color Setup* submenu.

However, if you require extra color temperatures, you can also add up to five custom color temperatures—four “User” and one “Interpolated Color”—by defining them within the *Color Temperature Setup* menu (each defaults to 6500K until then). Any “User” or “Interpolated Color” temperature created here is immediately applied, or it can be selected at any time from the *Color Setup* menu as usual, regardless of your source or channel. Use of the *Color Temperature Setup* menu is described below.

*NOTE: For best results, use an internal grayscale test pattern when working with color temperature.*



**Figure 3.17. Color Temperature Setup Menu**

**SELECT COLOR TEMP** – See Figure 3.17. Upon opening the *Color Temperature Setup* menu, the current temperature appears as the top option. You can change to a different color temperature here as desired, just as in the *Image Settings* menu. Note that selecting a “User” color temperature, enables the “White Level” options in the *Color Temperature Setup*—you can adjust them as desired to define or change a “User” color temperature (see “White Levels”, below). Likewise, selecting “Interpolated Color” here activates the “Interpolated Color” sidebar for defining or changing an interpolated color temperature for a connected source.

**INTERPOLATED COLOR** – Select this option if you need a specific color temperature that lies somewhere between one preset color temperature and another. Adjust the sidebar to define a new temperature which will be interpolated from the neighboring presets (for example, 7841 is interpolated from 6500 and 9300). It can be used any time and appears as a 4-digit temperature when in use. NOTE: This option is disabled unless you have a source connected and have selected “Interpolated Color” in the “Select Color Temp” pull-down list.

**WHITE LEVELS** –These 3 controls are adjustable only if a “User” choice is selected (in which case “User 1, 2, 3 or 4” appears at the top of the *Color Temperature Setup* menu). Their current values are shown for the active color temperature. Changing a white level here changes the drive (contrast) for that color, essentially creating a new color temperature that is “warmer” or “cooler” etc. **For maximum overall brightness, always keep at least one white level at 100.** When you are satisfied with the new “User” temperature, it can be used immediately upon exit or it can be selected from either the *Image Settings* menu or the *Color Temperature Setup* menu as usual. You can re-define a “User” color temperature at any time using the *Color Temperature Setup* menu.

**COLOR ENABLE** – Select which color or colors you want to see, useful while working with color temperature white levels.

**COPY FROM** – Use this option to replace the currently selected “User” color temperature setup with that of another. This function can be particularly useful as a starting point for a new “User” color, or for accessing an unaltered factory default. It is disabled for all color temperatures *except* “User”. See Figure 3.18.

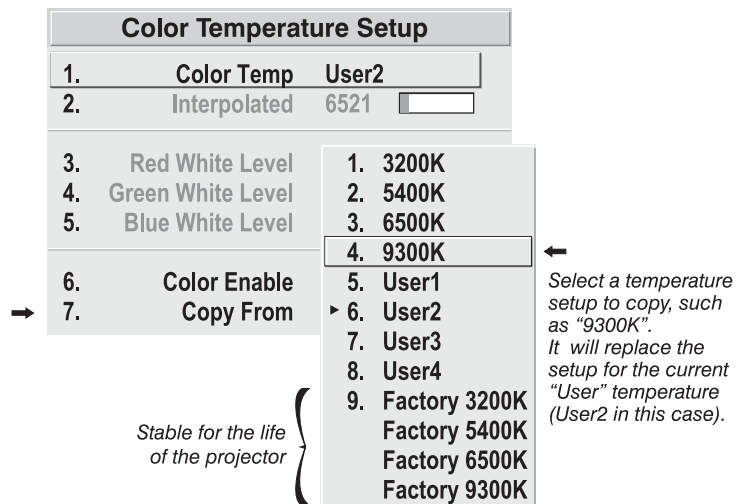


Figure 3.18. “Copy From”

**To create a starting point:** To set a starting point for a new custom user color temperature, select a user temperature, then highlight “Copy From” and select a temperature that is similar to what you want. Adjust white levels from there as desired.

**To use a factory default:** The preset color temperature setups (3200K, 5400K, 6500K and 9300K) can be altered from within the password-protected *Service* menu only—note that although such an alteration changes the *setup and appearance* for a preset, it does not change its *name*. If you suspect that you are using a preset temperature that has been altered and you want instead to use the original factory-calibrated color temperature without clearing the entire projector memory, you can use the “Copy From” option in the *Color Temperature Setup* menu to set up a “User” temperature with settings from a permanent factory preset:

Setup can be altered in Service menu	1. 3200K
	2. 5400K
	3. 6500K
	4. 9300K
Stable for the life of the projector	5. User1
	6. User2
	7. User3
	8. User4
	9. Factory 3200K
	Factory 5400K
	Factory 6500K
	Factory 9300K

**Figure 3.19. Presets and “Factory” Presets**

1. Select the “User” color temperature you wish to update at the top of the *Color Temperature Setup* menu, such as “User 2”.
2. From the “Copy From” list, select the matching temperature labeled “Factory” (such as “Factory 5400K”). These are the calibrated color temperatures set at manufacture—they remain intact for the life of the projector.
3. The setups for the “User” color temperature you selected at the top of the *Color Temperature Setup* menu will now be updated/replaced by those for the permanent factory calibrated temperature you selected in the “Copy From” list. Again, a “User” temperature can be altered at any time, if desired.

### Video Options

*Not applicable to graphics sources.*

**VIDEO STANDARD** — The projector automatically detects the video standard present and displays the name of this standard here. Press **ENTER** to view or select a different video standard from a complete list available to the projector (some will appear disabled, depending on the current incoming signal). Selecting a specific standard forces the projector to process the signal according to this standard.

Video Options		
1.	Video Standard	(A)?
2.	Input Video Black	0 IRE
3.	VCR	<input type="checkbox"/>
4.	Video Termination	<input checked="" type="checkbox"/>
5.	Enable Decoder AGC	<input checked="" type="checkbox"/>
6.	Decoder Luma Delay	8 <input type="text"/>

**NOTE:** This option should remain set at “Auto” for all instances EXCEPT: 1) a poor quality input signal or 2) a black-and-white video signal. In order to detect and display such signals, select the relevant standard.

**INPUT VIDEO BLACK** — This control compensates for incoming elevated black levels—called “setup”—that are present in certain video signals, and ensures that blacks on screen are neither crushed (i.e., with dark gray appearing black) nor excessively elevated (i.e., with black appearing dark gray). By default, the projector automatically determines the correct setting according to the type of incoming video signal:

- **0 IRE** – For DVD output with “enhanced black”, SECAM, most PAL standards, and Japanese NTSC.
- **7.5 IRE** – For most NTSC video signals.

For some types of video, you can override the setting. The control is disabled for other types of video (and all graphics sources). Generally, if black appears crushed when brightness = 50, choose “0 IRE”. If black appears excessively elevated, use “7.5 IRE”.

**VCR** – This control determines to what degree the projector tolerates signal disturbances. The correct setting is automatically determined and set according to the type of incoming source signal—for instance, there should be a checkmark for all VCR sources. The VCR option may require a change from its auto setting in very rare circumstances only, such as if you are having difficulty switching between two unusual and almost identical VGA computer sources. Otherwise, it is not necessary to change this option.

**VIDEO TERMINATION** — Enter a checkmark to terminate the video inputs 3 and 4 (75 S). The input should be terminated unless the signal loops through (continues) to another projector or display device, in which case only the last projector in the chain should be terminated.

- |                                     |   |
|-------------------------------------|---|
| <input checked="" type="checkbox"/> | • For all single free-standing projectors                 |
|                                     | • For last projector in a network                         |
| <input type="checkbox"/>            | • For all networked projectors <b>except</b> the last one |

**ENABLE DECODER AGC** – The “automatic gain control” affects decoded video images only. Enter a checkmark (default) for most decoded video sources—this activates the AGC circuit to ensure properly bright images. Delete the checkmark if a decoded video image exhibits strange color artifacts such as stripes in highly saturated colors, indicating an incompatibility between this source and the AGC.

**DECODER LUMA DELAY** – This control affects any incoming composite or S-video signal, delaying the luma signal (intensity) in relation to the chroma (color). In the image, increasing the luma delay will move luma (seen as a shadow where colors overlap) to the right slightly, with colors remaining in place. Decreasing this delay will move the shadow slightly to the left. If necessary for your current source, adjust so that no shadows occur with adjacent colors.

### **Input Levels**

*NOTES: 1) It is recommended that only experienced users use the **Input Levels** submenu—the projector automatically optimizes input levels for all but the most unusual of sources. 2) Before attempting an input level adjustment, check that overall contrast and brightness settings are near 50 **and** that color temperature is properly set up on an internal grayscale test pattern. 3) There must be at least one white pixel present in the image for proper “Auto Input Level” function. Leave this control **off**.*



Good RGB or input levels—that is, the *drives* and *blacklevels* for each of the three colors, red, green and blue—ensure that images from analog sources other than decoded video have maximum contrast without crushing black or white. By default (and in an “Auto Setup”

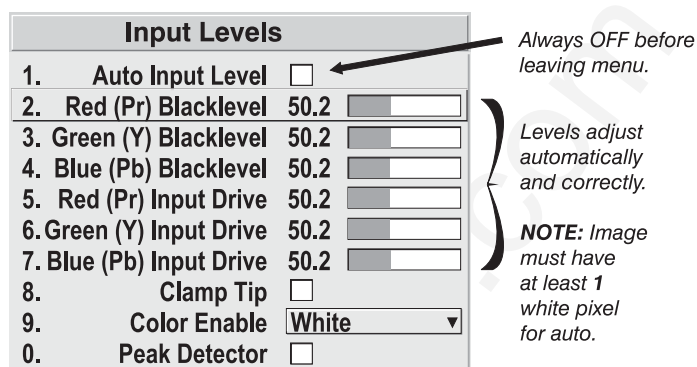


Figure 3.20. Input Levels Submenu

from the *Main* menu), the projector automatically determines the best input levels by monitoring image content and adjusting the controls appropriately—further adjustment is typically not required to obtain proper blacks or whites. *NOTE: This automatic adjustment requires at least 1 white pixel in the image. Without a white pixel, input levels may produce skewed colors, particularly in non-video images.*

However, for a very unusual source exhibiting overly high blacklevels (most often caused by a noisy source that causes blacklevel spikes), an experienced user may prefer to use the *Input Levels* menu (see Figure 3.20). These adjustments, which are actually a calibration process to compensate for differences in sources and cabling, enables an experienced user to perfect the source image input levels. Note that *Input Levels* are of limited use with digital signals, but offer some ability to tweak poorly mastered source materials.

**AUTO INPUT LEVEL** – Keep off for virtually all sources (default). Temporarily enter a checkmark *only* if you are an experienced user and you have an unusual source that you feel needs further color temperature and/or input level adjustment. After entering a checkmark, wait for the six values to stabilize, then delete the checkmark and exit.

**BLACKLEVELS AND DRIVES** - To check your image and adjust these controls:

- Make sure overall Contrast and Brightness are both set to near 50.  
*NOTE: Not required for “Auto” adjustment.*
  - = 50 (approx.)
  - = 50 (approx.)
- Check the color temperature setup using an internal grayscale test pattern, adjusting as desired to obtain a neutral grayscale. *NOTE: Not required for “Auto” adjustment.*
- Make sure you are using an analog source *not* connected to **INPUT 3** or **INPUT 4**, as Input Levels are not applicable for digital sources or sources going through the decoder. A grayscale is recommended.
- If the blacks and/or whites appear OK, input levels do not need adjustment. If black levels are too high (and/or whites are too low, which is rare), you likely have a noisy source that is producing skewed input levels. Continue with Step 5.
- Temporarily enable “Auto” in the *Input Levels* submenu. Wait for all 6 values to stabilize. Alternatively, do *not* use “Auto”—reduce blacklevels manually instead. Judge by eye and change one or more of the six levels as necessary to obtain proper blacks and whites. You may want to see

only a certain color while adjusting—use the “Color Enable” option (described below).

6. Delete the “Auto” checkmark and leave the *Input Levels* menu.

**IMPORTANT:** *Do not use Input Levels to adjust color temperature. This will distort Contrast and Brightness functions as well as color temperature.*

**CLAMP TIP** – This option (full name *sync tip clamping*) can brighten the image produced from certain high resolution, high frequency graphic sources. Enter a checkmark if the image appears unusually dim, if there are horizontal streaks across the image, or if there is significant color drift. Delete the checkmark if the image is either sufficiently bright or overly bright.

*NOTE: The sync tip clamping option is not used for video sources or any RGB source with sync information on the video (e.g., sync-on-green).*

**COLOR ENABLE** – Select which color or colors you want to see, useful while working with color temperature white levels or input levels.

*NOTES: 1) Input levels apply for the current source only, but for any color temperature used. 2) Assuming that color temperature has been set up based on the internal test patterns, you can then set up input levels for a given source so that it matches the color temperature of the internal test patterns.*

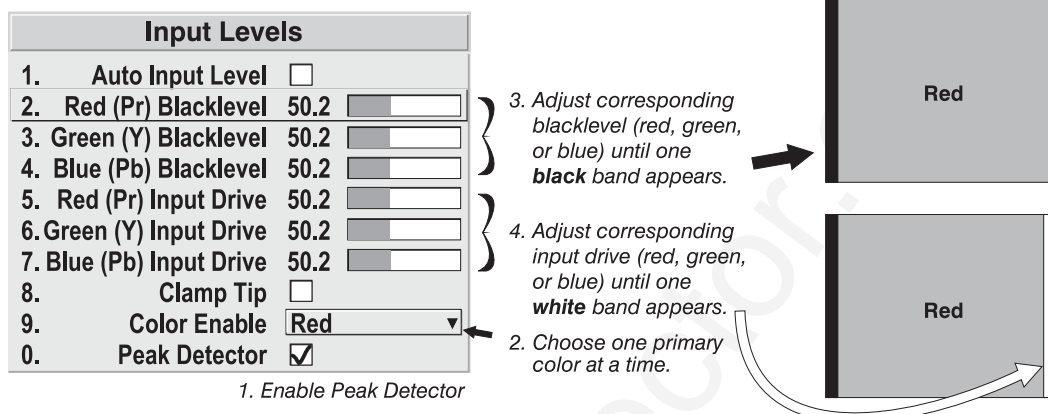
**PEAK DETECTOR** – The Peak Detector is fast method of defining individual input levels, and may improve the accuracy of input levels set by the Auto Input level function. Enabling the Peak Detector activates a special operating mode that detects *only* pixels that are considered black or white—all other levels are displayed as a mid-level gray. When used with a 16-step grayscale pattern, where the black and white bands are known to be at the edges of the image, you can watch these isolated areas while adjusting individual blacklevels and input drives as necessary. Images from this source will then display correct blacks and whites without crushing.

See Figure 3.21.

- 1) Display a 16 level grayscale test pattern from the desired external source, and enter a checkmark in the Peak Detector checkbox. *NOTE: The “Peak Detector” will initially render the grayscale as a uniform gray field before adjustment.*
- 2) Display one primary color (use *Color Enable* to select).
- 3) For the current color, adjust its corresponding “Blacklevel” sliderbar *just* until a single band of black appears at one edge of the screen. This band represents the first band of the grayscale pattern, which should be 100% black. Do not adjust too far.
- 4) With the same color still active, adjust its corresponding “Input Drive” sliderbar *just* until a single band of white appears at the opposite edge of the screen. This band represents the last band of the grayscale pattern, which should be 100% white. Do not adjust too far.
- 5) Go back and check the black band—adjust the blacklevel sliderbar if necessary. Adjustments are related, so you may have to go back and forth until both bands are *just* optimized.
- 6) Repeat Steps 2-5 with the other two remaining primary colors. When each primary color shows *one* optimized black band and white band, the input levels



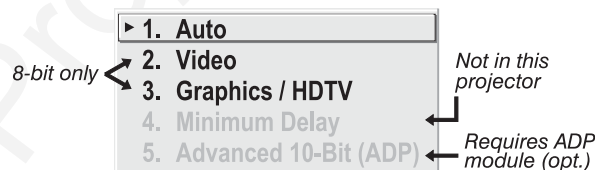
for this source are correctly set. Upon exiting the *Input Levels* menu, the Peak Detector checkbox will clear.



**Figure 3.21. Adjusting Input Levels Using the Peak Detector (RED EXAMPLE SHOWN)**

### Processing Mode

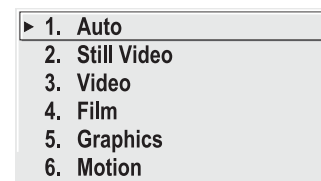
This control determines the projector's processing route for the incoming signal.



- AUTO** (default): The projector will automatically select the correct processing mode according to what input signal it detects. Use "Auto" unless you want or need to override its performance and apply a specific mode instead.
- VIDEO**: Performs 15 kHz NTSC/PAL video de-interlacing, regardless of signal type. Note that this option utilizes 8-bit processing.
- GRAPHICS / HDTV**: Performs basic de-interlacing and scaling, regardless of signal type. Note that this option utilizes 8-bit processing.
- MINIMUM DELAY**: Not used in this projector.
- ADVANCED 10-BIT (ADP)**: Uses 10-bit processing instead of the standard 8-bit processing provided in the projector, resulting in smoother and clearer details in video images. This feature requires installation of optional internal hardware—the *Advanced Digital Processing Module*—and is disabled unless this module is present. It activates full source-to-screen 10-bit processing for a digital video source, typically connected via the optional *Serial Digital Input Module* or the *Digital HDTV Input Module (INPUT 2)*. Images from analog signals (**INPUT 1, 3 or 4**) will also be noticeably improved, however these signals are first converted with 8-bit processing before routing through the ADP module.

### Motion Filter

This control is most useful for smoothing out moving images from interlaced sources. In most cases the proper Motion Filter setting is automatically determined according to the type of incoming source signal. However, if your source is noisy and/or inconsistent you may wish to "force" a setting to ensure stable processing for this source—if desired, override



the default “Auto” setting by selecting the appropriate motion filter:

- 1) **AUTO:** The projector will automatically use the correct motion filter according to the incoming signal. Note that the “Still Video” filter will be applied for RGB *non*-HDTV interlaced signals, and the “Motion” filter will be applied for RGB HDTV interlaced sources.
- 2) **STILL VIDEO:** For static images with no motion, such as graphics from a CD.  
*Note: Applied for RGB non-HDTV interlaced signals.*
- 3) **VIDEO:** For video images that did not originate from film, or for moving computer-generated images. *NOTE: Applied for RGB HDTV interlaced signals.*
- 4) **FILM:** For video images that originated from film. This will optimize image quality and stability.
- 5) **NOTES:** 1) For 60 Hz video standards: NTSC, PAL M, PAL 60. 2) Also recommend for PAL video standard if the ADP module is present—note that you must select film mode manually in this case. 3) Signals can be from RGB video, composite video or S-video sources.
- 6) **GRAPHICS:** For graphic images.
- 7) **MOTION:** For video images that did not originate from film, or for moving computer-generated images. *NOTE: Applied for RGB HDTV interlaced signals.*

#### **Dark Interval**

Not available in this projector.

#### **Invert Stereo3D**

Not available in this projector.

#### **White Boost**

Not available in this projector.

**PLL Loop Gain** – See description in *Size and Position*.

#### **Noise Reduction** – requires optional ADP Module

Select the amount of image noise reduction desired, with “0” applying no noise reduction (default) and “10” applying maximum noise reduction. The higher the value, the softer the image.

#### **Horizontal Filter** – requires optional ADP Module

Select the amount of horizontal filtering desired for the current source. Note that the default setting of “0” allows the projector to optimize the amount of horizontal filtering according to the current source, and is the recommended setting for most situations. You can override this by selecting a value from 1-10, with “1” applying no filtering and “10” applying maximum filtering. High filtering levels will soften the image slightly, particularly evident along vertical edges.

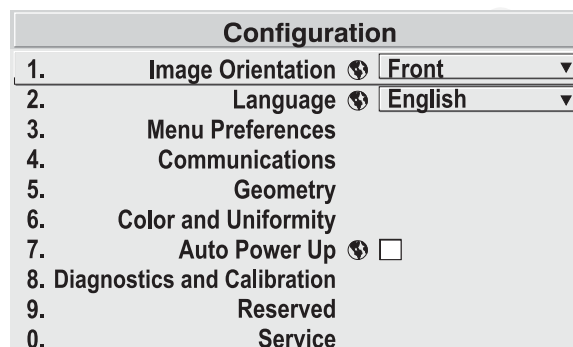
#### **Vertical Filter** - requires optional ADP Module

Select the amount of vertical filtering desired for the current source. Note that the default setting of “0” allows the projector to optimize the amount of vertical filtering according to the current source, and is the recommended setting for most situations. You can override this by selecting a value from 1-10, with “1” applying no filtering and “10” applying maximum filtering. High filtering levels will soften the image slightly, particularly evident along horizontal edges.

### 3.7 Configuring System Parameters

Use the *Configuration* menu to display and/or set global system operating parameters that are typically in effect regardless of source, or to work with other settings that are not unique to the current incoming source.

*NOTE: For experienced users/technicians only.*



#### System Configuration And Diagnostics

In the *Configuration* menu, you can define a variety of general system parameters to suit your preferences, run certain diagnostic tests, and access the *Service* Menu (password required). Settings in the *Configuration* menu will typically apply regardless of the type of source you are using.

#### Image Orientation

Use this pull down list to change the orientation of the image according to the orientation of your projector. If the setting is incorrect, projected images will be reversed and/or upside down, See 2.6, *Operating Orientation* for an illustrated explanation.

#### Language

Choose from English, French, Spanish, German and Italian language. The menu will change immediately upon selection.


#### Menu Preferences

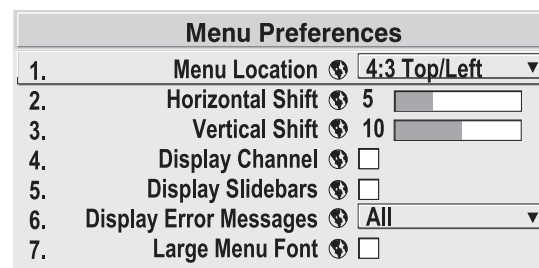
Choose the options in this menu to adjust the appearance, content and/or location of on-screen menus displayed in presentation level.

**MENU LOCATION** — Use the pull down list to choose a pre-defined or customized default location for the display of on-screen menus.

To create a custom menu location, choose a preset that is closest to the desired area. Then adjust the slidebars of *Horizontal Shift* and *Vertical Shift* to move the menu to the desired location. To prevent cropping of larger menus, avoid locations too close to a corner or edge.

**HORIZONTAL SHIFT AND MENU SHIFT** — Shift your menus as desired, creating a customized menu location.

**DISPLAY CHANNEL LIST** — Enter a checkmark if you want to see a scrollable channel list whenever you press **Chan** from your presentation. These channels must be marked with a list icon  in the *Channel Setup* menu. This option also enables on-screen feedback when using the **Input** key. If you prefer to hide the channel list and input dialog box while switching channels and sources during a presentation, do not enter a checkmark.



**Figure 3.22. Menu Preferences Menu**

*NOTE: The Channel List and input dialog box cannot be hidden when a menu is displayed.*

**DISPLAY SLIDEBARS** — Enter a checkmark to superimpose a small sidebar over the current image whenever an adjustable parameter is selected directly with a key (the option does not affect slidebars in menus) such as **Pixel**, **Position**, **CONT**, or **Bright**. If “Display slidebars” is unchecked, these slidebars can still be accessed, but will be hidden during adjustment.

**DISPLAY ERROR MESSAGES** — Choose in what way you want to be notified of errors detected in either the incoming signal or projector. Select “Screen” or “All” to see a brief on-screen messages or select “RS232” to be see messages via RS232 and RS-422 serial communication only. To disable error message display, select “Off”.

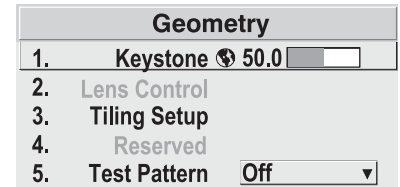
**LARGE MENU FONT** — Enter a checkmark to enlarge menus and their text. You may have to adjust “Menu Location” to accommodate the increased menu area.

**Communications**

This submenu of the *Configuration* menu is fully described in a separate *System Communications* subsection later in *Section 3*.

**Geometry**

From the *Configuration* submenu, select the *Geometry* submenu to adjust your display shape, work with the lens, define a multi-screen mapping of incoming source material, or to work with test patterns. The “Reserved” option has no function.



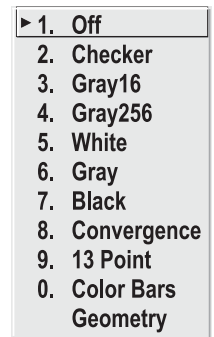
**Figure 3.23. Geometry Menu**

**KEYSTONE and TILING SETUP** — Refer to descriptions under *Size and Position* earlier in this section. Controls are duplicated here for convenience during setup.

**LENS CONTROL** — For a full description of the *Lens Control* submenu, see 3.3, *Using the Keypad (Lens key)* and 2.8, *Zoom, Focus and Lens Offset*.

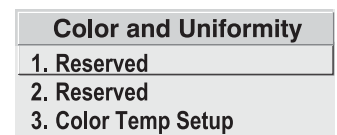
**TEST PATTERN** — Use the pull-down list to select and display an internal test pattern. Select OFF to turn off the display of a test pattern.

(SHORTCUT: Use **Test** key.)



**Color and Uniformity**

Use the options in the *Color and Uniformity* submenu to define color temperature, primary color hues and/or to achieve consistent brightness throughout all display areas. This submenu is typically used in multiple-projector applications that require precise matching



between adjacent displays—for *Roadster/Vista* models, only *Color Temp Setup* is available.

**COLOR TEMP SETUP** — See *Image Settings*. This function is offered in multiple menu locations for convenient access.

### Auto Power Up

Enter a check mark to enable the projector to automatically power up after losing power due to a power failure or due to unplugging the projector during operation. Note that unsaved display adjustments may be lost.

### Diagnostics and Calibration

From the *Diagnostics and Calibration* submenu you can access several options for testing and setup of images. You can work with test patterns and specific colors, freeze an image for inspection, and/or access the *Odd Pixel Adjustment* menu for precision settings of offset and gain.

Diagnostics and Calibration		
1.	Test Pattern	Geometry
2.	Freeze Image	<input type="checkbox"/>
3.	Color Enable	White
4.	Odd Pixel Adjustment	
5.	Reserved	
6.	Reserved	

**TEST PATTERN** — Refer to description under *Geometry* submenu.

**COLOR ENABLE** — Refer to description under *Image Settings*.

**FREEZE IMAGE** — Enter a check mark to freeze (stop) an image at a single frame. This diagnostic tool is useful if you need to examine in detail a still version of the incoming image that cannot be “frozen” at the source. For example, in moving images it is sometimes difficult to observe artifacts such as external deinterlacing/resizing and signal noise. Remove the checkmark to return back to normal.

**ODD PIXEL ADJUSTMENT** – For sources with *Color Space* set to *RGB* only.

When using certain RGB sources with still images, you may need to adjust the normal gain or offset of odd pixels in relation to even pixels. This will smooth out very narrow (1-pixel wide) “checks” or vertical stripes that indicate adjacent “on” and “off” pixels. You can remove these patterns as follows:

Odd Pixel Adjustment		
1.	Red Odd Pixel Offset	128 <input type="text"/>
2.	Green Odd Pixel Offset	145 <input type="text"/>
3.	Blue Odd Pixel Offset	128 <input type="text"/>
4.	Red Odd Pixel Gain	128 <input type="text"/>
5.	Green Odd Pixel Gain	116 <input type="text"/>
6.	Blue Odd Pixel Gain	128 <input type="text"/>
7.	Color Enable	White

} Adjust “Offset” first.  
} Then “Gain”

- 1) Use an external grayscale test pattern with both dark and light gray areas.
- 2) Display the image in its native resolution – select “*No Resizing*” by accessing *Resize Preset in Size and Position* menu.
- 3) Display a single color—choose from a “*Color Enable*” list or use the **[Func]** key shortcuts indicated on the back of the keypad.

- 4) Examine an area of darkest gray (but not black). If there is a 1-pixel wide pattern present, adjust “*Odd Pixel Adjustment*” **offset** for the current color. Stop when the pattern disappears and the area is smooth.
- 5) Examine an area of lightest gray (not white). If there is a 1-pixel wide pattern present, adjust “*Odd Pixel Adjustment*” **gain** for the current color. Stop when the pattern disappears and the area is smooth.
- 6) Repeat for each color, adjusting offset then gain for each.

*NOTES: 1) Adjust offset before gain, since offset affects gain. 2) A value of 128 represents no change in normal odd pixel offset or gain. 3) Odd Pixel Adjustment eliminates “1 pixel on, 1 pixel off” patterns only, not any type of larger patterns.*

**Reserved**

No function for these options.

**Service**

The *Service* submenu offers the ability to enable or disable service passwords, and to work with factory-defined color temperatures and other functions. This submenu is password-protected and intended for use by qualified service technicians only.

**System Communications**

Use the checkboxes and pull-down lists in the *Communications* submenu to alter the methods or types of communication to and from one or more projectors.

*NOTE: Changes made to the Communications submenu will be saved upon exit of the menu.*

Communications		
1.	Baud Rate	19200
2.	Front IR	A or B
3.	Back IR	A or B
4.	Wired Keypad	A or B
5.	Broadcast Key	<input type="checkbox"/>
6.	Projector	000
7.	Split Network	<input type="checkbox"/>

**Figure 3.24. Communications Menu**

**Baud Rate**

The baud rate setting determines the speed of communication to and from the projector. By default, the projector baud rate is set to 19200. Setting the correct speed is important when you are controlling the projector with an external device such as a computer or another projector via an RS-232 or RS-422 port. You must set the projector baud rate at these ports to match the baud rate of the controlling device. If you are unsure about what baud rate to choose, refer to the documentation for the controlling device. In an existing network, if you discover that a projector has the wrong baud rate, make sure to use the pull-down list and select the correct baud rate with the **Enter** key—do not just scroll this control with **←** and **→** keys.

1.	1200
2.	2400
3.	9600
4.	19200
5.	38400
6.	57600
▶ 7.	115200

*NOTE: 1) The baud rate setting does not affect the switcher port, which is always 9600 baud. 2) See **Serial Port Connections** and **Appendix D** for more information about cable connections between devices. 3) On early models, the 2 highest baud rates are unavailable for downloading projector MAIN software.*



**Front IR / Back IR**

- |           |
|-----------|
| 1. A or B |
| 2. A      |
| ▶ 3. B    |
| 4. Off    |

As described in *Section 2*, the standard IR remote keypad is capable of sending data to the projector in either one of two protocols called **A** or **B**. Likewise, the front and rear IR sensors on the projector can be set to accept IR data accordingly, responding to **A**, **B** or both. The projector's **A or B** default is adequate for most single-projector installations. Select a specific protocol to prevent interference when you are controlling two projectors in the same area and want to work with one projector at a time.

Note that the front and rear IR sensors cannot respond to *different* protocols—if you change a protocol for either sensor to anything other than **OFF**, the protocol for the other sensor also changes. For example, setting *Front IR* to **B** also changes the *Back IR* to **B**. If you want only *one* sensor to respond to a particular protocol—**A**, **B**, or **A or B**—disable the other sensor by setting its protocol to **OFF**.

If you want to disable *both* IR sensors, you cannot use the IR remote keypad to select the second **OFF** setting. This safeguard prevents accidentally disabling a keypad while you are using it. Instead, use either the built-in keypad or the wired remote to set the remaining active sensor to **OFF**. The projector will no longer respond to an IR remote keypad.

**IMPORTANT**

**Keep at “A OR B” unless you are sure of the current IR keypad protocol.**

*NOTES: 1) The IR remote keypad for this projector is set at manufacture to "Protocol A". See 2.10, **Keypad Protocols and Conversion** for information about changing the keypad protocol. 2) A key press from a conflicting protocol will cause a single yellow flash on the Status LED located in the lower right corner of the rear projector panel.*

**Wired Keypad**

Like the IR remote keypad, the optional wired keypad is either a "Protocol **A**" keypad (default) or a "Protocol **B**" keypad. Likewise, the projector can be set to accept wired keypad data accordingly, responding to **A** or **B**. If desired, you can prohibit the projector from responding to a particular wired keypad protocol, or you can ensure that the projector responds to either protocol (default). You can also prevent the projector from responding to the keypad entirely. In the pull-down list, select the desired protocol.

*NOTE: The wired keypad for this projector is set at manufacture to "Protocol A". See 2.10, **Keypad Protocols and Conversion** for information about changing the keypad protocol.*

**ADDING A WIRED KEYPAD PROTOCOL:** To add a protocol, select the **A or B** option.

**CHANGING A WIRED KEYPAD PROTOCOL:** As a safeguard, you cannot accidentally select an option in the “Wired Keypad” list that would disable the wired keypad during use, since such options are automatically disabled in the list. In other words, you cannot switch to the opposite protocol or select **OFF** using the wired keypad. Instead, if you want to quickly change to the other protocol, you may find it more convenient to use one of the other keypads (the built-in keypad or the IR remote) to execute the protocol change for the wired keypad. The projector will now recognize

only the opposing wired keypad protocol. Or, if you prefer, use the wired keypad to safely change its own protocol:

1. Select the **A or B** option. This will ensure that once your keypad is manually changed (see Step 2), it will still be recognized by the projector.
2. Unplug the keypad and change the protocol in the keypad as desired. Do this either by entering the short-cut software command or by hard-wiring the keypad as described in 2.10, *Keypad Protocols and Conversion*.
3. Plug the keypad back into the projector. Return to the *Communications* menu and select the new protocol you have just set up in the wired keypad.

**TURNING OFF THE WIRED KEYPAD:** If you want to disable the wired keypad entirely, you cannot use it to select the **OFF** option. This safeguard prevents you from accidentally disabling the wired keypad during use. Instead, use either the built-in keypad or the IR remote keypad to select **OFF**. The projector will no longer respond to the wired keypad.

### Broadcast Key

Enter a checkmark if you want keypad commands sent to one projector to be relayed to all projectors in a network. Note the **PROJ** key will temporarily “override” the effect of a broadcast setting and allow you to control a specific projector when necessary. Make sure to remove the checkmark if using the split network feature.

### Projector

Enter a three-digit number (such as "001") to assign or change a number to the projector currently in use – if the current projector already has a number assigned, that number will appear here (see right).

Numerical identity for projectors is required whenever you want to communicate with a single projector within a multiple-projector application (see **PROJ** key description in 3.3, *Using the Keypad*). If you make a mistake in assigning or changing the projector number, press **Exit** to cancel.

For complete information about controlling multiple projectors, see 3.10, *Using Multiple Projectors*.

### Split Network

Enter a checkmark if you have a network in which each projector is connected via both its RS-232 and RS-422 serial ports (Figure 3.25A). At each projector, serial communications will then remain on either its RS-232 or RS-422 path (depending on the controller) rather than being broadcast to all 3 remaining serial ports. Should a projector or path ever fail, the other path will be available as a back-up.

The Split Network feature is unnecessary when only a single serial link is connected between any two projectors (Figure 3.25B), and will cause communication errors if these single links vary from RS-232 to RS-422 anywhere in the network. Likewise, if you have two serial links connected between any two projectors, failure to use the Split Network checkbox can also cause a communication error.

Communications		
1.	Baud Rate	38400
2.	Front IR	A or B ▼
3.	Back IR	A or B ▼
4.	Wired Keypad	A or B ▼
5.	Broadcast Key	<input checked="" type="checkbox"/>
Projector		003
7.	Split Network	<input type="checkbox"/>

Current projector number  
 • To assign a new number, enter up to 3 digits  
 (1=001, 2=002, etc.)



NOTES: 1) Requires double serial links—RS-232 and RS-422—between all projectors in a network. 2) Set each projector's Broadcast Key OFF. 3) Keypads cannot broadcast in a split network—use controller(s) instead. 4) Do not use a split network when downloading new projector software to a network.

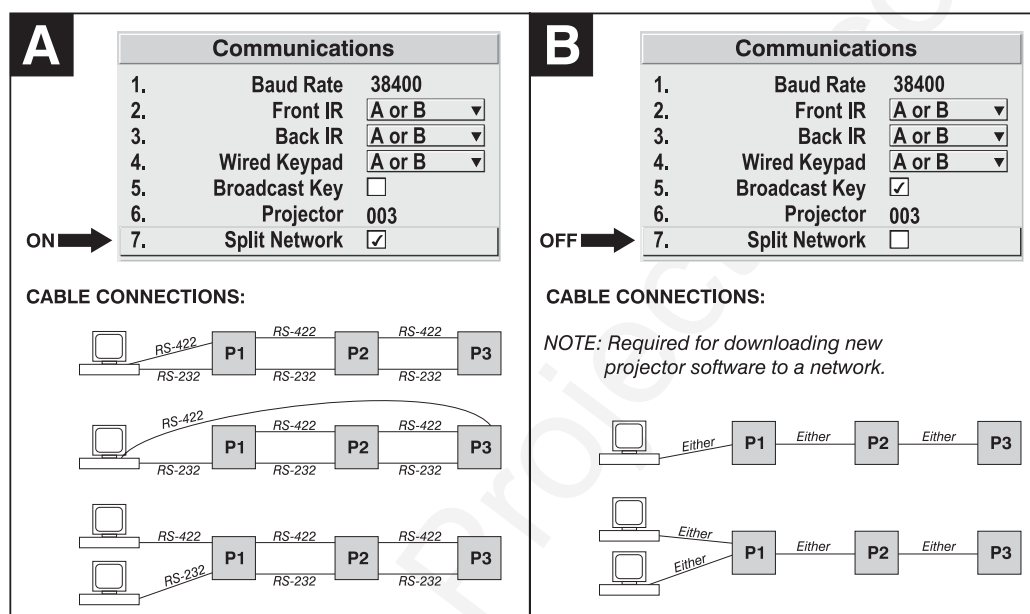


Figure 3.25. Split Network Checkbox — ON vs. OFF

### 3.8 Working with the Lamp

Whenever you install a new lamp in the projector you must access the *Lamp* submenu (available from *Main*) and record the lamp serial number in the projector's memory. You can also choose the lamp operation mode you prefer, such as maintaining a specific intensity (light output) or power level, and define the expected lamp life. Read-only information includes the lamp serial number and age.

NOTE: See 4.4, *Replacing the Lamp and Filter* for complete instructions on installing a new lamp in the projector.

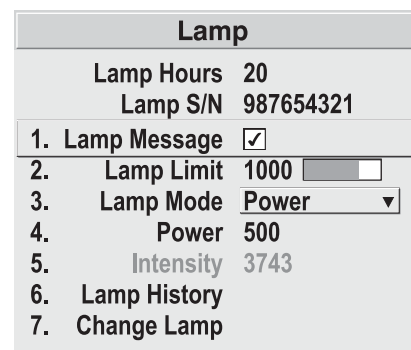


Figure 3.26. Lamp Menu

**LAMP HOURS** shows the number of hours logged on the current lamp. Whenever you record a new lamp serial number, this read-only value automatically resets to "0", where it begins to log time for the new lamp. "Lamp Hours" also appears in the *Status* menu.

**LAMP S/N** is the serial number recorded for the current lamp. When you install a new lamp and enter its serial number, the number will appear here. NOTE: Read-only.

**LAMP MESSAGE** — Enter a checkmark if you want to enable a warning message upon power-up that the lamp has reached the specified lamp limit and should be replaced. Delete the checkmark if you do not want to see this warning—instead, when your

lamp expires, only the status information on the back of the projector will provide the warning to replace the lamp.

*NOTES: 1) It is recommended that the Lamp Message checkbox remain enabled. 2) When a lamp warning message appears, press **EXIT** to temporarily cancel the message. The message will continued to appear upon power-up until you install a new lamp.*

Set **LAMP LIMIT** to the number of hours you expect to log on the current lamp before replacing it. This limit typically will match you lamp warranty, but consider also that actual lamp life depends on what lamp mode(s) you use over the life of the lamp and how much light output is desired for your application. In any case, when the lamp approaches your chosen lamp limit, the Lamp Message (if it has been enabled) will appear upon power-up.

*NOTES: 1) If you change modes over the life of a lamp, the lamp limit you originally expected may no longer apply. 2) Turning the lamp on and off can reduce lamp life significantly, as will other factors. Limit lamp strikes to what is necessary.*

Set which **LAMP MODE** you want to use in order to control the light output in your application. Although there can be exceptions, in most lamps the higher the light output or power setting, the shorter the life span of the lamp.



**Figure 3.27.**

Use the lamp mode that best suits your need for brightness. For example, you may simply need as much brightness as possible, which will apply maximum power to the lamp—choose **Max Brightness**. Alternatively, in a tiled application you may want to closely match and maintain brightness levels between adjacent images—choose **Intensity** for each projector, then judge by eye and set each individual intensity setting as necessary (see “Intensity”, below). Or you may simply want to apply a reduced power level to the lamp at all times—choose a specific **Power** wattage.

Lamp modes are described below:

- **Max Brightness:** The lamp will always burn as brightly as possible, driven by maximum power of 700W in the X3/S3/X4/S4, 1200W in the X5/S5/X6/S6 and up to 1700W (self-adjusting<sup>1</sup>) in the X9/S9. Keep in mind that the “maximum brightness” for any lamp gradually diminishes with age—images will become dimmer over time. The current light output level (stated as an arbitrary value, i.e. unrelated to lumens) appears in the “**Intensity**” box.
- **Intensity:** Brightness will remain close to a specified level for as long as possible. Once you select this option, enter a number representing the intensity level (brightness) you wish to maintain—the projector will automatically adjust power as needed to closely maintain this intensity over time. Note that an intensity value is simply an arbitrary value from 0-9999 unrelated to lumens levels in your model. See “**Intensity**” below.
- **Power:** The power (watts) supplied to the lamp will remain at a desired level throughout the life of the lamp. Once you select this option, enter the number of watts representing the power level you wish to maintain. See “**Power**” below.

<sup>1</sup> In X9/S9, a new lamp needs less than full power to achieve maximum brightness and will, in fact, limit incoming power as required to run at 75A. During the first few hundred hours of life, the lamp arc gradually changes and voltage automatically increases until the lamp is utilizing the full 1700W. This self-adjusting behavior results in less “lamp drop-off” over time—images are brighter for a larger percentage of overall lamp life.

**POWER** – The number shown here indicates how many watts are applied to the lamp. In the X3/X4/S3/S4, set from 450-700 watts as desired. In the X5/X6/S5/S6, set from 800-1200 watts as desired. In the X9/S9, set from 1200-1700 watts as desired. For any model, keep in mind that lower power levels produce dimmer images. When in “**Power**” or **Max Brightness** modes, the power level remains constant<sup>2</sup>. When in “**Intensity**” mode, the power level will change as necessary<sup>3</sup>. Specifying the maximum power level in **Power** mode is the same as operating in **Max Brightness** mode.

*NOTES: 1) Power level can be set only if the lamp is in “power” mode. 2) If you are in “Intensity” mode, the power level value will automatically increase over time as necessary to maintain the desired brightness as closely as possible, until power reaches its maximum. 3) After approximately 500 hours of use, all models using a 700W lamp require lamp power of 550W or higher. If set too low, the aging lamp can cause a projector shutdown. Upon your next power up, lamp power will automatically maximize and a message box relates “Unexpected lamp off. Power set to max.”. Use 550W or more to ensure normal operation and prevent similar shutdowns, or install a new lamp in order to reliably use lower lamp power levels.*

**INTENSITY** – This number represents the current brightness of your lamp, decreasing over time when you are operating at **Max Brightness** or at a specific **Power** level. However, when you are operating in “**Intensity**” mode, this value remains at your chosen “**Intensity**” setting.

*NOTE: The number shown for “intensity” is not the actual lumen output, but rather an arbitrary value unrelated to lumens.*

To use “**Intensity**” mode, judge by eye and set the level as desired for your application, remembering that higher settings can significantly shorten lamp life. Over time, the projector will automatically increase the power supplied to the lamp as needed to maintain the chosen intensity as closely as possible. This is called “Brightness Tracking” or “LiteLoc”.

Keep in mind that once power reaches its *maximum* (see “**Power**”, above), this tracking is no longer possible. At this point, the lamp will gradually begin to dim as usual, even though your original “**Intensity**” value will still appear in the menu. To resume accurate tracking, reduce the intensity setting so that the resulting “**Power**” value is less than its maximum—the lower the intensity, the longer it can be maintained.

Do not lower the “**Intensity**” so much that the corresponding “**Power**” value reaches its *minimum* (450 watts in the X3/S3/X4/S4, 800 in the X5/S5/X6/S6, and 1200W in the X9/S9) — the intensity settings will be inaccurate and cannot be maintained. Note also that lamp power of 550W (or higher) is required for any 700W lamp having more than 500 hours on it. Make sure your “**Intensity**” setting is high enough to keep the corresponding lamp power at 550W or higher. For best results in matching intensity over in tiled images, choose an intensity setting that enables all lamps to operate at less than the maximum number of watts available in your projector, but above 550W. See “**Power**”, above.

<sup>2</sup> Precise behavior with newly-installed lamps in X9/S9 is described in footnote 1 on the previous page.

<sup>3</sup> Because a new lamp in X9/S9 can emit maximum brightness without initially requiring maximum power, adjusting Power or Intensity slidebars beyond this point produces no additional light output. This is normal for these models.

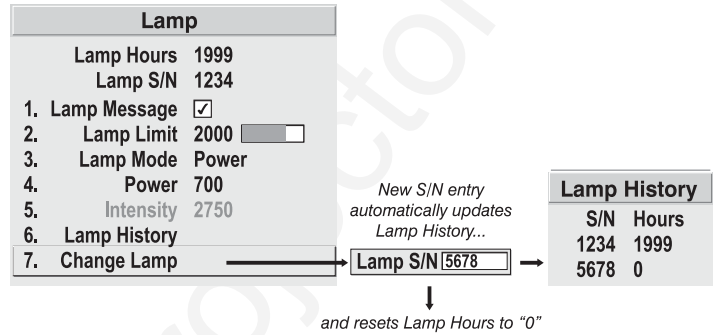
NOTES: 1) Lamps become more stable over time, thus a specific intensity is more easily maintained as the lamp ages. 2) Intensity can be set only if the lamp is in "Intensity" mode 3) Intensity cannot exceed the output of Max Brightness mode.

**LAMP HISTORY** - This read-only option lists the most lamps most recently installed and recorded in the projector. *Lamp History* automatically updates whenever you record a new lamp serial number—the new lamp is added to the bottom of the list.

Lamp History	
S/N	Hours
1234	1999
5678	27

Use **CHANGE LAMP** to record the serial number for a newly installed lamp.

In the *Lamp S/N* window, use the number text entry keys to record the new lamp serial number, and press **ENTER** again to accept the change. See



**Figure 3.28. Recording the New Lamp Serial Number**

*Using Slidebars and Other Controls* if you need help entering the number. Once entered, the new lamp serial number will be added to the *Lamp History* menu and the *Lamp Hours* timer will reset to "0". *Lamp Mode* and *Lamp Limit* remain as they were for the previous lamp, and can be changed at any time.

**NOTE:** Enter a serial number **only** if you have just installed a new lamp. This will help ensure that lamp timer is not reset on an old lamp and that the number of hours logged on the lamp will be accurate.

**▲ IMPORTANT ▲**

**Always DO record the serial number of a NEW lamp.**

**3.9 Projector Status**

This read-only menu lists a variety of details about the standard and optional components currently in use on the projector. Refer to the *Status* menu for versions of hardware (left side) and software (right side) installed, the number of lamp hours logged in total and for a specific period (such as a rental period), and for your projector model name and serial number. In addition, the *Status* menu identifies the current channel, switcher, slot and frequencies.

Use **▲ON**, **▼OFF**, **◀** or **▶** to see additional *Status* information.

Status			
Model	Roadster	S4	
S/N	123456789		
Lamp Hours	20	Lamp Counter	5
Projector Hours	152	Native Resolution	1280 x 1024
Chan Name		Sync Type	Tri-Level on HC input
Chan Number	02	Sync	33.72 kHz – i59.94 Hz
Switcher	0 (projector)		
Slot	1 (Input 1)		
IPM	6.2	Software	2.1
Interconnect	2.3	Boot	1.4
LCD HW	2.3	LCD SW	1.0
Panel Driver	2.2 T2	ADP SW	2.97
ADP HW	2.31	ADP Firmware	2.97
ADP Bios	2.21		
MCM	1.3		
Decoder	1.4		
FC1	26.1	PLL	23.1.003
ZX1	3.1	Decoder	1.6.008 T5
		Engine S/W	1.10r

Figure 3.29. Status Menu (SAMPLE)

### 3.10 Using Multiple Projectors

When working with multiple projectors, you may want to use the RS-232 or RS-422 serial ports to chain the projectors together in a network that you control from either a keypad or a computer/controller (see 2.9, *Serial Port Connections*). Or you may prefer that each projector stands alone, but is controlled with a common IR remote keypad. You can also tile a single incoming image among multiple displays in a videowall, with each display making up a portion of the total image. In such cases, you can switch back and forth between broadcasting to all projectors or controlling each projector individually.

#### Assigning a "Projector#"

Make sure you have assigned a unique projector number to each projector present — this number will be required in order to get the exclusive attention of an individual projector. To assign a projector number:

Press **[Menu]** and select the *Configuration* menu, then the *Communications* submenu. Scroll down to "Projector#" and enter a valid three-digit number (000 to 999) for identifying the current projector. Press **[Enter]** to accept the entry, or **[Exit]** to cancel.

Repeat for each projector, using a unique three-digit number for each. Once every projector has its own number, you can begin to control the network.

#### Controlling One Projector

First make certain that only one (any) networked projector has its "Broadcast Keys" option selected (checked) and IR sensors enabled — the remaining projectors must have the "Broadcast Keys" option unchecked and their keypads disabled (do this in the *Configuration / Communications* menu). The "Broadcast Keys" projector will then relay keypad commands to the other projectors. If using a wired remote, make

sure to select the “Broadcast Keys” option for the projector to which the wired remote is connected.

To work with a single projector, press **[PROJ]** to display an editable window from each projector. Enter the three-digit number you have assigned to the projector you wish to control. All keypad commands will then affect this projector exclusively until you press **[PROJ]** again and enter a different number, or until you switch to broadcast mode (below).

*NOTES: 1) If you are using a computer or controller to issue commands, use the correct RS-232 software command to gain control of a single projector.*

**Broadcasting to All Projectors**



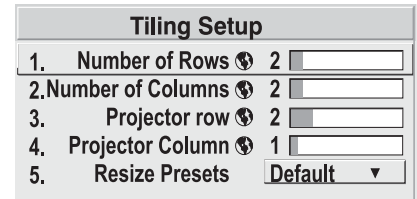
First make certain that only one (any) networked projector has its "Broadcast Keys" option selected (checked) — the remaining projectors must have the option unchecked and their keypads disabled (do this in *Configuration / Communication* menu). The "Broadcast Keys" projector will then relay keypad commands to the others. If using a wired remote, make sure to select the “Broadcast Keys” option for the projector to which the wired remote is connected.

On either the IR remote or wired keypad, press **[PROJ]** to display the projector box. Press **[PROJ]** again *without* entering a number — the keypad commands will now affect all projectors.

*NOTE: 1) If you are using a computer or controller to issue commands, use the correct RS-232 software command to broadcast.*

**Tiling An Image Across Multiple Displays**

Tiling an image means that multiple adjacent displays work together to form a single image, like a tiles in a mosaic. This *videowall* concept contrasts with other multiple-projector applications in which each display is a complete and independent image. Use the *Tiling Setup* menu as described below (accessed via the *Size and Position* menu or *Configuration/Geometry* menu) to configure a maximum of 16 displays (4 x 4) into one single-image videowall or *tiling array*.

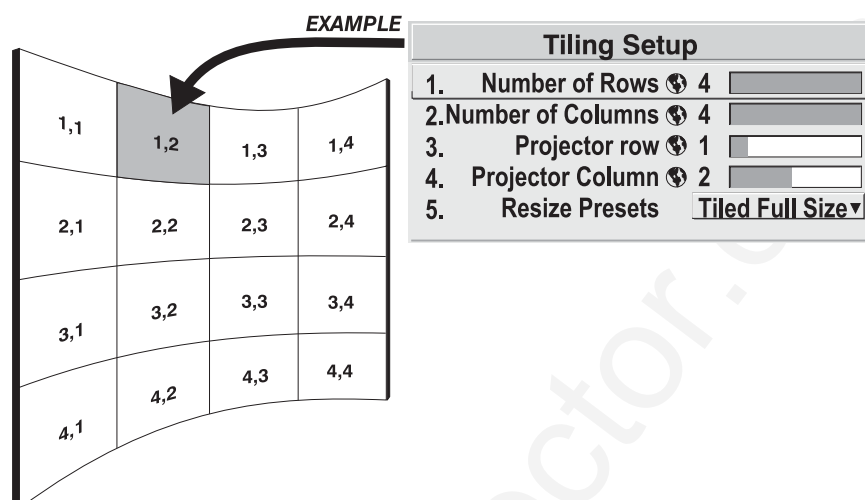


**Defining the Videowall**

**NUMBER OF ROWS** – Use the sidebar to define the number of rows (1-4) present in your videowall. Each projector must have the same setting.

**NUMBER OF COLUMNS** – Use the sidebar to define the number of columns (1-4) present in your videowall. Each projector must have the same setting.

**PROJECTOR ROW AND PROJECTOR COLUMN** – For each projector, use these two slidebars to define the projector’s unique row-and-column location within the videowall. Any videowall begins with the top left corner display as Row 1, Column 1. See Figure 3.30.



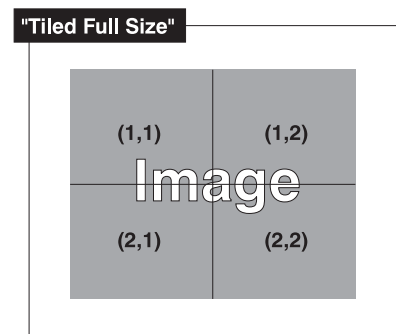
**Figure 3.30. Tiling Setup (Example of 4x4 Array)**

### Resizing the Videowall Image

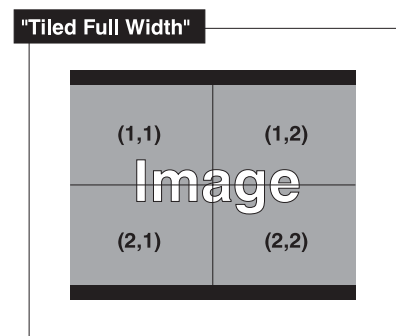
**RESIZE PRESETS** – When your multiple-projector tiled array has been defined as described above, select a desired *tiled* resizing method. Sections of incoming data will then automatically map to the appropriate “row,column” address in your videowall, filling the wall with a complete image that is scaled as you have specified.

*NOTES: 1) Tiled resizing options are enabled only if you have defined an array of two or more projectors as described above. 2) Use the same tiled resizing option for each projector in your array, regardless of the number of rows and columns in the array. 3) Whether the wall produces a black border or a cropped image depends on the aspect ratio and resolution of the incoming source.*

- For each projector, select “Tiled Full Size” to fully fill all screens in the wall. Each section of incoming data will be scaled horizontally and vertically to fill the screen to which it automatically maps. See right. Note this option does *not* necessarily maintain aspect ratio.



- For each projector, select “Tiled Full Width” to fill the videowall from left-to-right while maintaining aspect ratio. This typically creates a top and bottom black border on the wall, and is best suited for HDTV signals. See right.

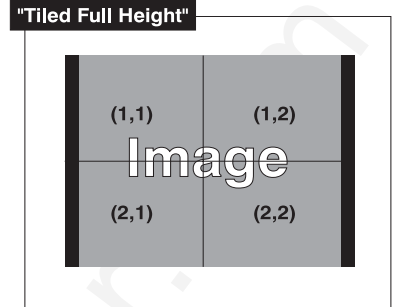


*NOTE FOR LARGE ARRAYS: 1) In large arrays having 3 or 4 rows, the center row(s) will automatically fill. 2) Screens with very little or no image will be blanked (cropped).*



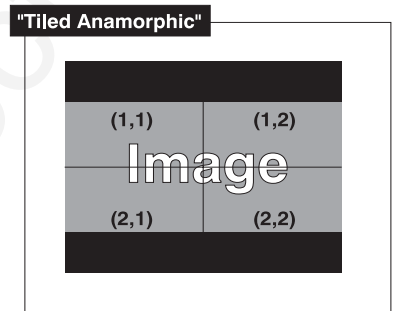
- For each projector, select “Tiled Full Height” to fill the videowall from top-to-bottom while maintaining the incoming aspect ratio. This typically creates a black border on the left and right edges of the wall. See right.

*NOTE FOR LARGE ARRAYS: 1) In large arrays having 3 or 4 columns/rows, the center screen(s) will automatically fill. 2) Screens having very little or no image will be blanked (cropped).*



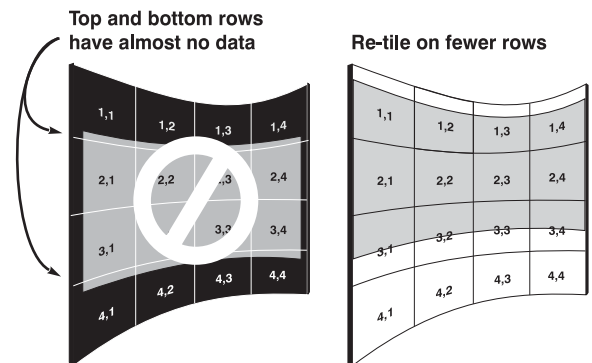
- For each projector, select “Tiled Anamorphic” to fill the videowall from left-to-right while maintaining the incoming “widescreen” (anamorphic) aspect ratio of 16:9. This typically creates a black border at the top and bottom edges of the wall. See right.

*NOTE FOR LARGE ARRAYS: 1) In large arrays having 3 or 4 columns/rows, the center screen(s) will automatically fill. 2) Screens having very little or no image will be blanked (cropped).*



### Large Displays and 10-bit Processing

When processing sources through the optional ADP module, you may have to crop the extreme top and bottom edges of the image OR map to fewer screens (see right).



### 3.11 Error Conditions

Occasionally the projector may encounter an error condition that interrupts normal operation. Such a condition can be caused by an invalid user entry, an input signal error (most common) or other system error.

If you would like to be notified on-screen of such errors, select the “Screen” option from the “Display Error Messages” pull-down list (in *Menu Preferences Menu*). If you would like to be notified via a serial communication only, select the “RS-232” option instead. To receive both notifications, select “All”. To disable error messages (except for invalid user entries), select “Off”.

*NOTE: Error messages also always appear at the rear LCD next to the keypad.*



## User Errors **Invalid User Entry**

Any keypad entry not recognized by the projector will trigger an on-screen error message describing the problem. For example, if you specify a channel number that has not been defined, the message “*Invalid Channel*” will appear. Or if you try to enter the wrong password, you’ll see “*Invalid Password*”. Press **Enter** or **Exit** to confirm the message and eliminate the message box.

*NOTE: Displaying of “Invalid User Entry” messages cannot be disabled, even if Display Error Messages has been set to “Off”.*

## Input Signal Errors

Input signal errors messages appear when you are in presentation level (i.e., when there are no menus present) and have selected an input on which the projector detects a problem. While menus remain operational and pressing any key will temporarily remove the message from the screen, you must resolve the signal problem in order to permanently eliminate the message.

*NOTE: Input signal messages appear on-screen only if Display Error Messages has been set to “Screen” or “All”.*

### No Signal

The message “*No signal*” appears when there is no signal detected at the selected input. Both HSYNC and VSYNC are inactive and the screen background is black. Connect or correct the signal, or select another input.

### Bad Sync

The message “*Bad Sync*” is displayed when HSYNC or VSYNC are active but the signal cannot be displayed. Such a condition occurs when only one of the two signals is present, or when either signal is unstable or of the wrong frequency. Correct the signal or select another input.

### Other Signal Error Messages

In addition to the common “*Bad Sync*” and “*No Signal*” errors, you may encounter a signal error message indicating that Hsync and/or Vsync are either too fast or too slow. When such a message appears, check the frequencies shown in the *Status* menu. If they are correct, then the signal is not recognized by the projector. On some PCs you may be able to change the settings to generate a compatible signal. If the frequencies shown in the *Status* menu are incorrect, check the cabling to see where the problem is.

## System Warnings / Errors

When the projector encounters a system malfunction, either a System Warning message or a System Error message may appear. Both types of messages are accompanied by a steady red “Power” LED and a flashing red-and-yellow error code on the “Status” LED. This condition indicates the need for service by a qualified service technician.

*NOTE: System messages appear on-screen only if Display Error Messages has been set to “Screen” or “All”.*

### System Warnings

A system warning message indicates that a system malfunction has been detected (see *Status LED Codes*, below). A system warning message replaces any input signal message and disappears when the input signal status changes. While the projector

will remain operational, the message indicates the presence of a serious problem that should be reported to the manufacturer. You can press **EXIT** to remove the message, but for best results you should reset the projector—power the projector down and up again with the **POWER** key.

### **System Errors**

A system *error* message indicates that a serious malfunction has been detected and must be reported to the manufacturer (see *Status LED Codes*, below). The projector will no longer operate and must be reset—power the projector down and up again with the **POWER** key.

### **The Status LED Codes**

If the "Status" LED on the back of the projector repeatedly flashes a pattern of yellow and red light while the "Power" LED glows a continuous red, you have encountered a likely system error requiring the attention of a qualified service technician (see *System Warnings* and *System Errors*, above). Try resetting the projector by powering it off and on again, cooling when necessary. Consult Table 3.3 and contact your dealer if the problem persists.

The specific pattern of flashing indicates the 2-digit code identifying the type of problem encountered—the number of yellow flashes represents the first digit and the number of red flashes indicates the second digit. For example, a pattern of “yellow-yellow-red-red-red” is “Code 23”, meaning the lamp ballast (power supply) is overheated. These codes are listed in Table 3.3.

**Table 3.3. System Error Codes**

Code	Description
<b>GENERAL</b>	
12	Software bug. Contact dealer/factory.
13	CRC error in flash ROM. Download new software.
14	Replace IPM
15	Attempting to download code without being in boot mode
16	Invalid interrupt. Power off/on. If persists, contact dealer/factory.
<b>LAMP / BALLAST</b>	
21	Unable to turn the lamp on
22	Lamp is overheated
23	Lamp ballast (power supply) is overheated
24	One or more of the lamp interlocks are open
25	Lamp may be on before being turned on
26	Cannot read valid lamp ballast ID
27	Unexpected lamp shut-off
28	Lamp not installed
<b>IMAGE PROCESSOR MODULE</b>	
31	Boot code CRC failed
32	Unable to program the Sync Xilinx part
33	Unable to program a device on Altera programming bus
34	Unable to program a device on JTAG programming bus
35	Unrecognized ROM type
36	Write to flash ROM failed
37	General IPM failure
38	Code being downloaded will not fit in ROMs
<b>PANEL DRIVER MODULE / LIGHT ENGINE ELECTRONICS</b>	
41	Unrecognized Panel Driver Module (PDM)
42	Unable to program a device on Panel Driver programming bus
43	Panel Driver/optical system communication problem
44	Red Formatter/flex cable problem
45	Green Formatter/flex cable problem
46	Blue Formatter/flex cable problem
47	Mixed Formatters
48	Download failure in display engine
<b>POWER &amp; COOLING</b>	
51	Fan #1 failed (part of Cooling Module)
52	Fan #2 failed (part of Cooling Module)
53	Fan #3 failed (side fan, bottom—connects to J38 on ICM)
54	Fan #4 failed (side fan, top—connects to J39 on ICM)
55	Low voltage power supply failed to turn on
<b>MOTOR CONTROL MODULE (not in all projectors)</b>	
61	Problem communicating with MCM
62	Unable to program the MCM field-programmable gate array
<b>INTERCONNECT OR CHASSIS I.D.</b>	
71	Unable to access EEPROM on the ICM
72	EEPROM memory has re-initialized
<b>VIDEO DECODER MODULE (INPUT 3 OR 4)</b>	
81	Unable to program the video decoder (VDM)
<b>OPTIONAL INTERFACE MODULE</b>	
91	Unable to program the option card

If you encounter a system error, try resetting the projector by powering it off and on again (cooling if necessary). Contact dealer/factory if error persists.



# Maintenance

## 4.1 Warnings and Guidelines

This projector is CSA approved and is designed for safe and reliable operation. However, safe operation cannot be assured by design alone; installers, maintainers, and users must maintain a safe operating environment for the system. Please read through and understand the following warnings and guidelines promoting safe usage of the projector.



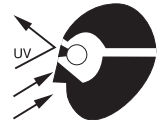
**Always REMOVE the lens when shipping a projector.**



**Never look directly into the projector lens. The extremely high brightness of this projector can cause permanent eye damage.**



**For protection from ultraviolet radiation, keep all projector shielding intact during operation.**



## Labels and Markings

Observe and follow all warnings and instructions marked on the projector.

The exclamation point within the equilateral triangle alerts the user to important operating and maintenance (servicing) instructions in the literature accompanying the projector.



The lightning flash and arrowhead symbol within the equilateral triangle alerts the user to non-insulated "dangerous voltage" within the projector's enclosure that may be of sufficient magnitude to constitute a risk of electric shock.



## Projector Location

Operate the projector in an environment which meets the operating range specifications in *Section 5, Specifications*. Do not operate the projector close to water, such as near a swimming pool.

Do not place the projector on an unstable cart, stand or table. If the projector is to be ceiling mounted, only use a Christie-approved ceiling mount fixture.



A projector and cart combination should be used with care. Sudden stops, excessive force, and uneven surfaces may cause the projector and cart combination to overturn.

**Lamp and Filter Replacement**

**LAMP:** Do not operate the Xenon lamp for more than 1000 hours; risk of the lamp shattering increases as a result of changes in the quartz glass. Also, operation beyond 1000 hours significantly reduces brightness output.



**Never attempt to remove the lamp housing directly after use. The lamp is under great pressure when hot and may explode, causing personal injury and/or property damage. Allow to cool completely.**

The arc lamp operates at a very high temperature and pressure. Failure to allow the lamp to sufficiently cool prior to handling could result in an explosion causing personal injury and/or property damage. After turning the projector off it is important that you wait at least five minutes before unplugging it. This provides enough time for the internal lamp cooling fans to cool the lamp and to automatically shut off. Cool completely before handling.



**Use only lamps supplied by Christie.**

**FILTER:** Replace the side filter every 1000 hours or sooner. If this filter is not replaced, air flow may become restricted and cause the projector to overheat.

See 4.4, *Replacing the Lamp and Filter* for the complete replacement procedure.



**Use only filters supplied by Christie.**

**Power Cord and Attachments**

Only use attachments or accessories recommended by Christie, such as the specific power cord supplied. Use of other attachments or accessories with this projector may result in the risk of fire, shock or personal injury.



**Use only the AC power cord supplied. Do not attempt operation if the AC supply and cord are not within the specified voltage and power range. See Section 5.**

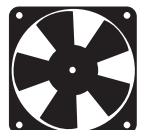
Do not allow anything to rest on the power cord. Locate the projector where the cord cannot be abused by persons walking on it or objects rolling over it.

Operate the projector at the specified voltage only. Do not overload power outlets and extension cords as this can result in fire or shock hazards.

The projector is equipped with a three wire plug having a third (grounding) pin. This is a safety feature. If you are unable to insert the plug into the outlet, contact an electrician to have the outlet replaced. Do not defeat the safety purpose of the grounding-type plug.

**Ventilation**

Before unplugging the power cord, make sure the internal lamp cooling fans have shut off. The fans automatically shut off when the projector has adequately cooled down.



Slots and openings in the projector provide ventilation. To ensure

reliable operation of the projector and to prevent overheating, these openings must never be blocked or covered. The projector should never be placed near or over a radiator or heat register. The projector should not be placed in an enclosure unless proper ventilation is provided. For best results, ensure that the projector bottom is above any “lip” that may be present on a cart—extend projector feet as necessary.

Do not push objects of any kind into the projector through the ventilation openings. They may touch dangerous voltages or short-out components resulting in a fire or shock hazard. Do not spill liquids of any kind into the projector. Should an accidental spill occur, immediately unplug the projector and have it serviced by a qualified service technician.

**Servicing**



If any of the following conditions exist, immediately unplug the projector from the power outlet and refer service to qualified service personnel.

- The power cord has been damaged.
- The internal cooling fans do not come on when the projector is first turned on.
- Liquid has been spilled into the projector.
- The projector has been exposed to excessive moisture.
- The projector does not operate normally.
- The projector has been dropped or the case has been damaged.
- Projector performance has deteriorated.

Do not attempt to service the projector yourself. All servicing must be performed by a qualified Christie service technician only. If replacement parts are required, it is important that only Christie-approved parts are used. Other parts may result in fire, electric shock or risk of personal injury.

**4.2 Cleaning**

Clean the projector when required. Before cleaning, always unplug the projector from the power outlet.

**Lens** To avoid the risk of scratching the lens, clean the lens *only* if absolutely required. A small amount of dust on the lens will have very little effect on picture quality. If the lens must be cleaned, use a DRY soft cotton cloth. Clean gently in a circular motion.

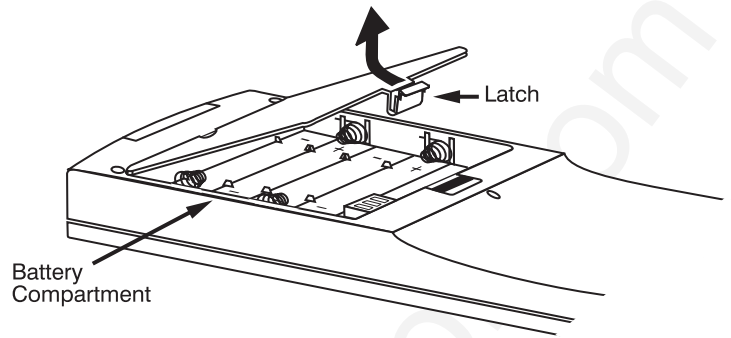
**Lamp** It is important to never touch the glass surface of the lamp, as the oil imprint will seriously degrade lamp performance. Should you accidentally touch the surface of the lamp, clean carefully with a lint-free cloth moistened with isopropyl alcohol.

**Case** Clean the case with a soft dampened cloth. Use a mild commercial cleaner. Do not use liquid or aerosol cleaners.

**4.3 Replacing Keypad Batteries**

The optional IR Remote Keypad uses four AA size, 1.5V batteries (preferably alkaline). To install new batteries, open the battery compartment at the back side of the keypad by pulling on the raised portion of the cover as shown (Figure 4.1).

Remove the old batteries and properly discard. Wait a minute or two and place the new batteries in the compartment, orienting the positive/negative of each battery according to the labels in the



**Figure 4.1. Replacing Keypad Batteries**

compartment. When batteries are in place, replace the cover by inserting its bottom edge first and snapping the top into place. Do not force.

*NOTE: Always wait a minute or two when replacing batteries so that the internal electronics discharge and can recognize the change.*

#### 4.4 Replacing the Lamp and Filter

*NOTE: For this procedure you will need the appropriate “Roadster / Vista / Mirage Lamp and Filter Replacement Kit” manufactured by Christie.*

The high brightness of your projector is provided by a 700W (X3/S3/X4/S4 models) or 1200W (X5/S5/X6/S6 models) or 1700W (X9/S9 models) Xenon lamp permanently mounted inside its own protective housing. In any model, when the bulb approaches 1000 hours of usage, this lamp assembly needs to be replaced.

##### **How Old is The Lamp?**

The number of hours logged on the current lamp appears both in the *Lamp* menu and the *Status* menu. In the *Status* menu, do not confuse “Lamp Hours” with “Lamp Counter”, which indicates the number of hours logged during the current rental period only and is normally used just for Roadster rental projectors.

*NOTE: As the lamp nears its limit (as set in **Lamp Limit**), a message can appear on screen to warn that the lamp needs to be replaced. To make sure that this warning appears, enter a checkmark in the **Lamp Message** checkbox located in the **Lamp** submenu.*

##### **Lamp Replacement Procedure**

You will need a long (10”) Phillips screwdriver for this procedure.

##### **⚠ WARNING ⚠**

**Lamp replacement is to be done by a qualified service technician only.**

##### **⚠ WARNING ⚠**

**Never attempt to remove a hot lamp. A hot lamp is under great pressure and may explode, causing personal injury and/or property damage. Allow to cool completely and handle by the housing only.**

##### **⚠ WARNING ⚠**

**Make sure to use the correct wattage lamp supplied by Christie.**



*NOTE: All illustrations for this procedure assume a non-inverted projector.*

**STEP 1 ' Turn off the projector**

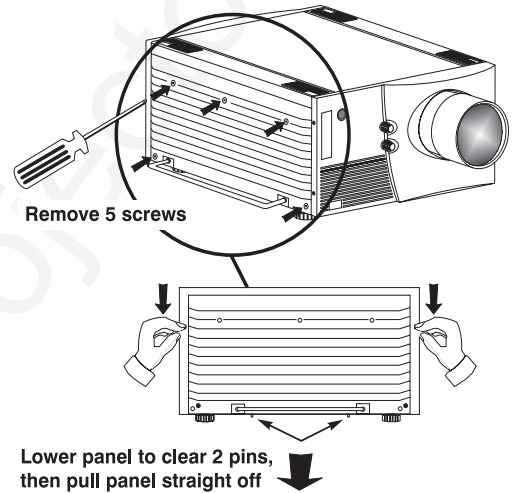
Turn the projector off and allow the cooling fans to stop automatically before proceeding with Step 2.

**STEP 2 ' Unplug the projector**

When the cooling fans have stopped, unplug the projector.

**STEP 3 ' Remove the left side panel**

- See Figure 4.2. Remove the 5 screws securing the projector's left side panel.
- Lower the panel slightly to clear two pins at the bottom edge of the projector.
- Pull the panel off to expose the lamp door near the front corner.



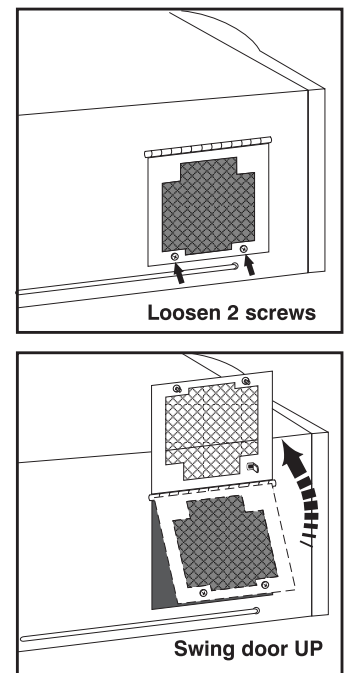
**Figure 4.2. Remove the left side panel**

**STEP 4 ' Open the lamp door**

- See Figure 4.3. Loosen the 2 screws fastening the lamp door shut.

- Lift the door fully open (it will stay up on most models).

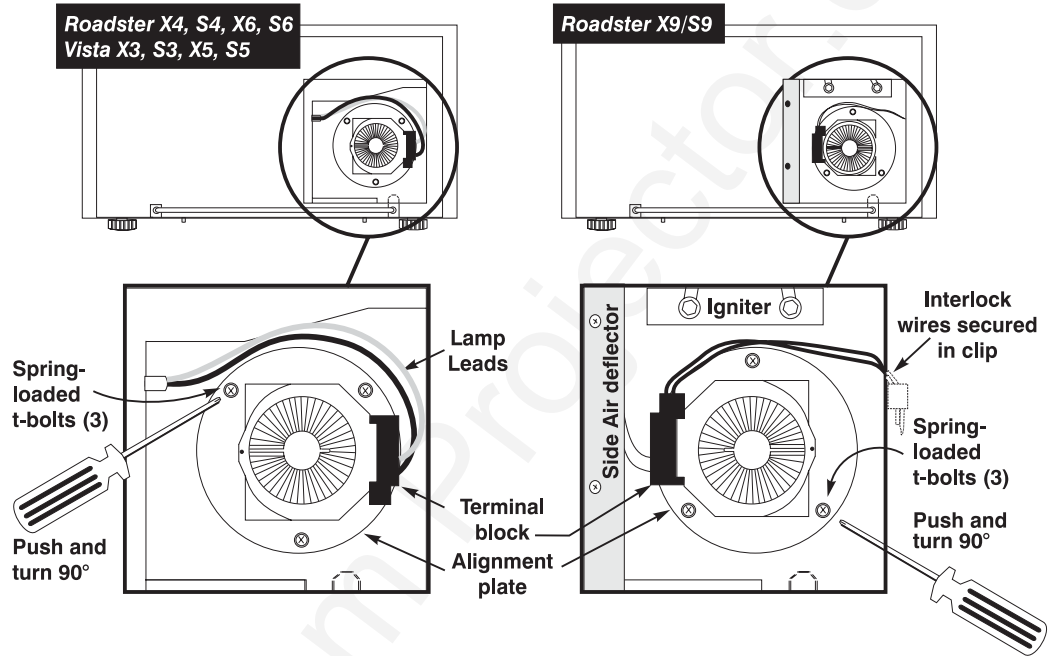
*Not shown: Air deflector on underside of X9/S9 lamp door. Do not remove.*



**Figure 4.3. Open the lamp door**

**STEP 5** Loosen the spring-loaded T-bolts

The lamp module is secured to its alignment plate with 3 large spring-loaded T-bolts that lock in-and-out with a 90° turn (they are the largest heads visible on the alignment plate). To unlock each T-bolt, use a Phillips screwdriver to **push and turn** each bolt 90°. The pin behind each bolt will align with its slot and pop the bolt free. See below.

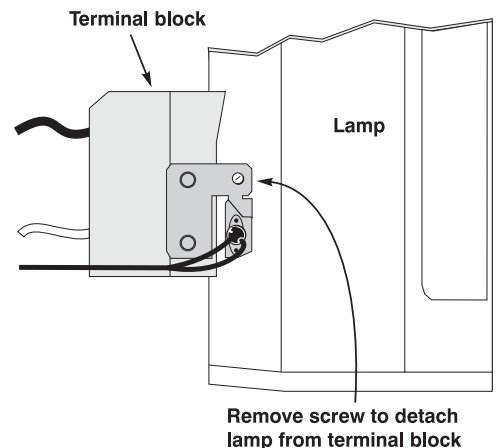


**Figure 4.4. Loosen the spring-loaded T-bolts**

*NOTES: 1) In older models, if access to the bottom screw is blocked, reduce vertical offset of the lens. 2) In X9/S9, you may want to remove the side-mount air deflector.*

**STEP 6** Remove lamp and detach from terminal block

- Pull the lamp module out slightly. Note that it is still attached to a “terminal block” which connects to the lamp power supply via anode and cathode cables—the lamp module cannot be fully removed yet.
- Remove the single screw securing the lamp module to the terminal block. See Figure 4.5 (top view). The lamp should now be fully free—refer to the recycling/disposal instructions provided with the new lamp.



**Figure 4.5. Detach lamp from terminal block (TOP VIEW)**

**▲ IMPORTANT ▲**

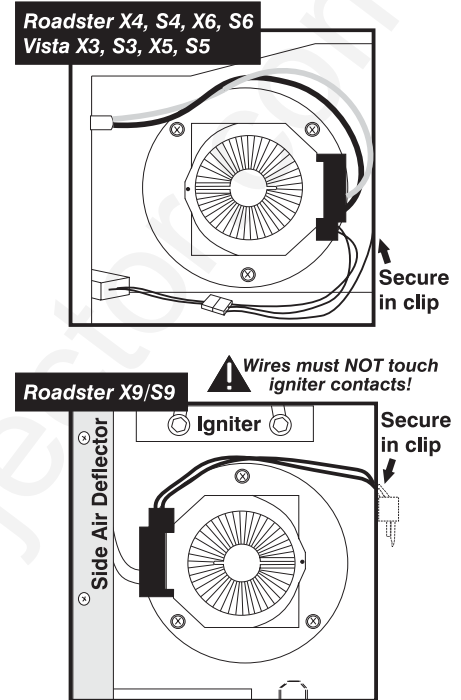
**Detach the lamp from the terminal block only.  
Do not disconnect cables.**

**STEP 7 Reattach terminal block and insert lamp**

- Secure the new lamp module to the terminal block with the single screw.
- Insert the new lamp module into the lamp compartment as shown in Figure 4.6.

*For 700W or 1200W models:* Looking into the lamp compartment, the terminal block should be located at approximately “3 o’clock”, i.e., roughly centered and on the side of the lamp facing the projector front. See right, top example. **Make sure the main lamp cables travel over the lamp, i.e. NOT along the lamp compartment floor.**

*For X9/S9:* Looking into the lamp compartment, the terminal block should be located at approximately “9 o’clock”, i.e., roughly centered and on the side of the lamp facing the projector rear. See right, bottom example. **Make sure the interlock wires travel between the lamp and the igniter and remain secured in clip as shown. Do not allow contact with igniter.**



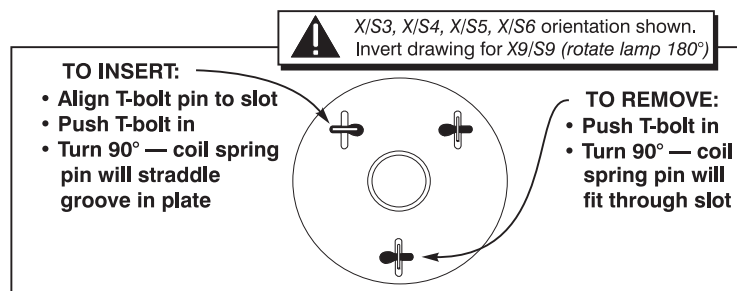
**Figure 4.6. Lamp Orientation for Different Models**

**⚠ WARNING ⚠**

**Check lead dressing in lamp compartment!**

**STEP 8 Secure the new lamp to the alignment plate**

- Roughly align the 3 T-bolts on the lamp to the 3 slots in the alignment plate at the rear of the lamp compartment.
- Push the lamp all the way back and make sure the pin on each T-bolt aligns with its slot on the alignment plate—slowly turn each until the clearance slot is located. Then push and turn each T-bolt **90°** to lock. See Figure 4.7.



**Figure 4.7. Using the T-bolts (INVERT ILLUSTRATION FOR X9/S9)**

- Replace the side-mount air deflector if you had to remove it (X9/S9 only).

**STEP 9** Close the lamp door

- Swing the door down and secure the 2 screws. If necessary, push the X9/S9 air deflector on the lamp door slightly to the left when closing—it must clear door frame and internal components.

**STEP 10** Replace the left side panel

- Align the bottom of the left side panel with two pins at the bottom edge of the projector and swing up into place. Secure with 5 screws.

*NOTE: The lamp module is calibrated for maximum performance and brightness in this projector. Do not attempt to re-align or adjust an installed lamp module.*

**STEP 11** Power up the projector and reset the lamp timer

In the *Main* menu, select the *Lamp* option. In the *Lamp* menu, select the “Change Lamp” option—enter the new serial number in the S/N text box (see *Section 3, Operation* if you need help entering the number). When the new number is recorded, the lamp timer will automatically reset to “0” hours and begin to log time.

**IMPORTANT**

**If you neglect to enter a serial number, the lamp timer will not reset to “0” and will therefore be inaccurate. The lamp life limit may then expire prematurely.**

*NOTES: 1) Once entered, the new lamp serial number is also automatically added to the “Lamp History” submenu (read-only). 2) Lamp life data is required for warranty claims.*

**Filter Replacement Procedure**

It is a good idea to replace the air filter whenever the lamp module is replaced (or more frequently if operating the projector in a dusty environment). The filter is located behind the right side panel.

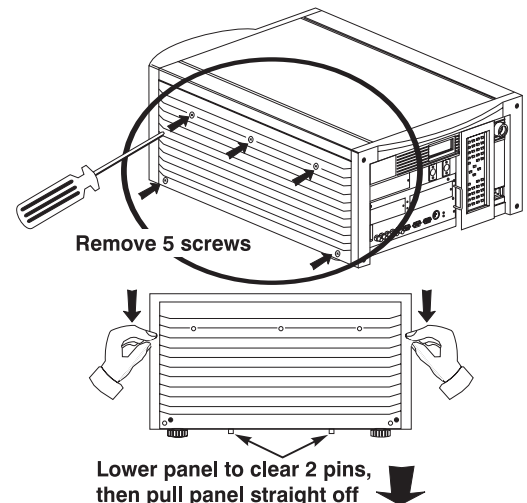
**STEP 1** Turn off the projector, cool, and unplug.

Before removing or installing a filter, turn off the projector and allow to cool for five minutes before unplugging. Make sure that the lens cap is on.

**⚠ WARNING ⚠**  
Unplug the projector.

**STEP 2** Remove the right side panel

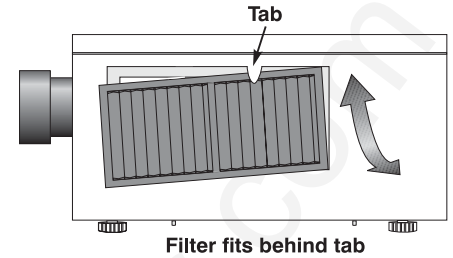
- See Figure 4.8. Remove the 5 screws securing the projector’s right side panel.
- Lower the panel slightly to clear two pins at the bottom edge of the projector.
- Pull the panel off to expose the filter near the front corner.



**Figure 4.8. Remove the right side panel**

**STEP 3** ' **Replace the filter**

Slide the used filter out from under the top tab and replace. Make sure the wire side faces IN. See Figure 4.9.



**Figure 4.9. Install wire side IN**

**STEP 4** ' **Replace the right side panel**

Align the bottom of the panel with 2 pins at the bottom edge of the projector and swing up into place. Secure with 5 screws.

**⚠ WARNING ⚠**

**Use only Christie filters. Never operate the projector without the filter installed.**

**4.5 Replacing the Lens**

A variety of lenses can accommodate different throw distances and specific types of installations. See page 5-1 for details. To change a lens, follow the steps below.

*NOTES: 1) You will need a 9/64" (3mm or 3.5mm) hex socket ball driver (supplied with projector) or allen key for this procedure. For motorized zoom lenses, you may also need a remote keypad and flashlight. 2) "Top" or "bottom" references assume a non-inverted projector, as illustrated. 3) If you are installing a VistaGRAPHX lens, first make sure its "VistaGRAPHX Lens Adapter" is present on the lens. Such an adapter/flange secures to the projector in the same manner as the flange described below, but accommodates a screw-mount lens.*

**Before You Begin** ' **(MOTORIZED ZOOM LENS ONLY)**

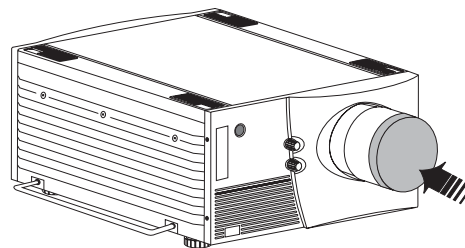
Before removing a motorized zoom lens, you must adjust "zoom" in order to reach lens mount screws accessible through holes in the zoom gear:

1. **POWER UP AND CALIBRATE THE LENS MOUNT** (if not already done).
2. **ADJUST ZOOM GEAR TO 1000 (FOR ACCESSING SCREWS):** Press Lens 2 (zoom adjust). Set to 1000.

**STEP 1** ' **Turn off the projector, cool, and unplug.**

Before removing or installing any lens, turn off the projector and allow fans to stop before unplugging. Make sure that the lens cap is on.

**⚠ WARNING ⚠**  
**Unplug the projector.**



**Figure 4.10. Install lens cap** ⚠

**STEP 2** ' **Loosen the 3 lens mount screws**

*NOTE: If there is no lens installed, skip to Step 4.*

Use the hex socket ball driver provided with the projector to loosen the 3 lens mount screws securing the lens flange to the mount—*loosen* these screws only, do not remove. Accessibility is illustrated in Figure 4.11.

- **IF MANUAL ZOOM LENS:** Access to the 3 lens mount screws is likely blocked by the toothed zoom ring. Manually rotate the zoom ring until its access holes align with the screws beyond, then insert the hex socket ball driver as shown. See Figure 4.11.
- **IF MOTORIZED ZOOM LENS:** As shown in Figure 4.11, the 3 access holes on the zoom gear will be “skewed” away from the lens mount screws (see *Before You Begin* instructions). Insert the hex socket ball driver through the holes at approximately 30° to access each screw. Aim *down* for 4 o’clock screw, aim *up* for 8 o’clock screw.

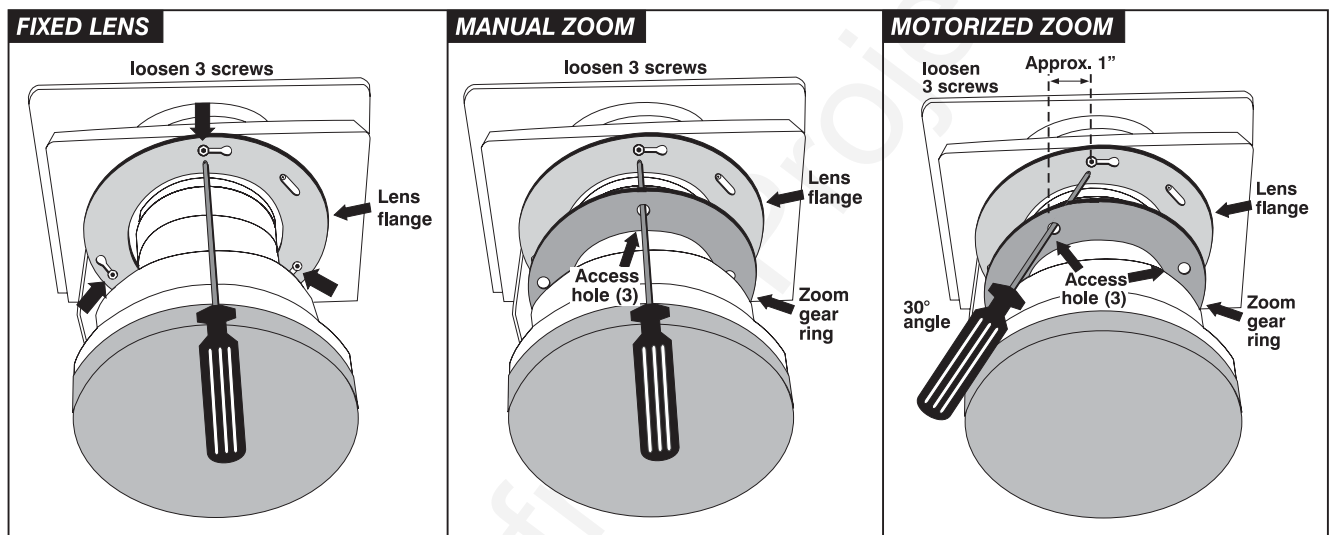


Figure 4.11. Accessing the Lens Mount Screws

**STEP 3** Rotate Lens and Remove (Figure 4.12)

1. **ROTATE THE LENS SLIGHTLY:** See below. Using both hands, rotate the lens barrel counterclockwise until the screw heads align with the larger end of their slots on the lens flange.
2. **PULL LENS OUT:** Carefully pull the lens assembly straight out of the projector and set aside.

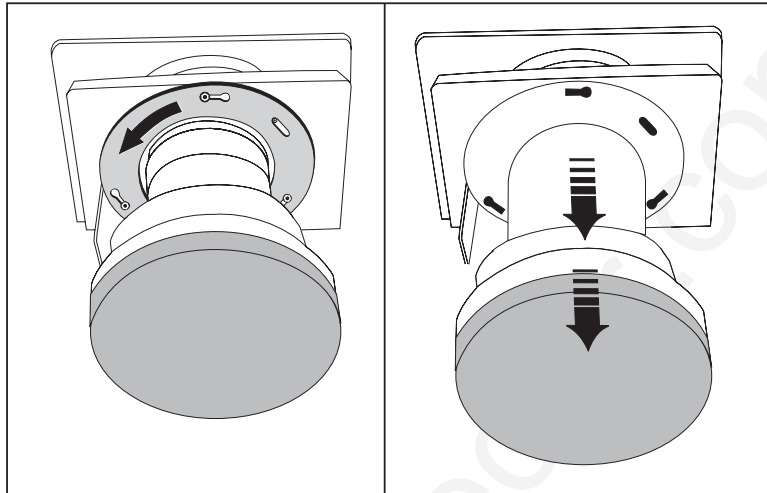


Figure 4.12. Rotate Lens and Remove (FIXED LENS SHOWN)

**STEP 4**  
(MOTORIZED ZOOM ONLY)

**Rotate zoom gear clockwise fully**

Face the front of the new motorized zoom lens (still out of the projector), with cut-out at bottom. Manually rotate the zoom gear fully *clockwise*. See Figure 4.13. The access holes will be aligned with the flange slots.

**IMPORTANT:** Before continuing, make sure focus tabs cannot move—this indicates that the focus gear is properly engaged with its motor. If the tabs **do** move freely, the focus motor (visible just inside the lens opening, at the bottom) has likely popped forward during rough transit and is no longer engaged with the gear. The motor must be as far into the projector as possible—move focus tabs slightly while pushing the motor back fully (maximum movement is approximately 1/4”).

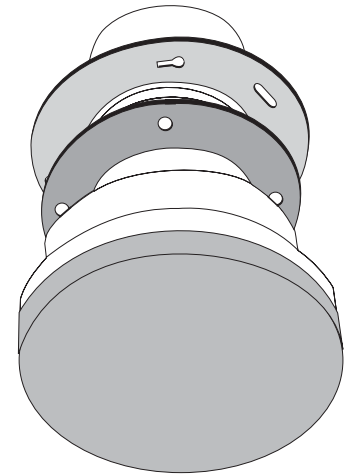
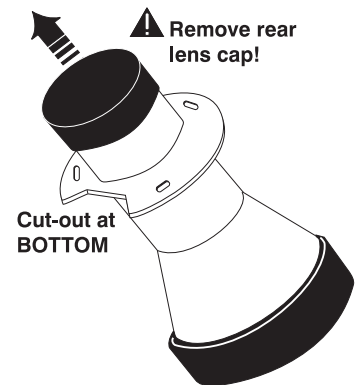


Figure 4.13. Gear rotated fully clockwise

**STEP 5** **Insert New Lens**

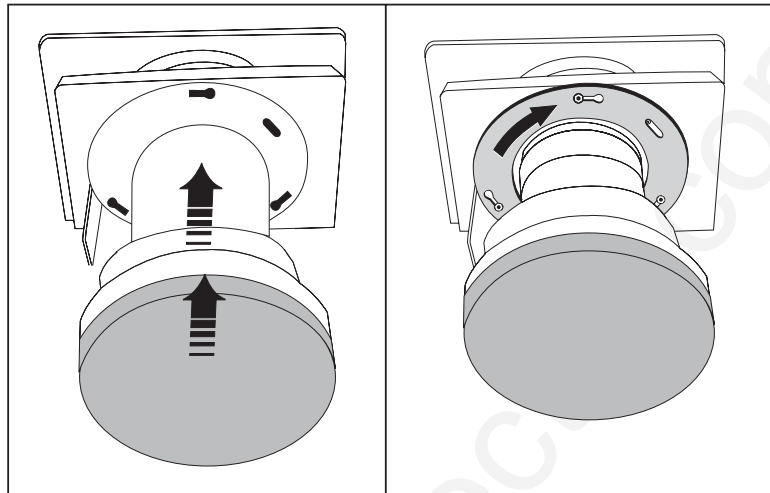
*NOTE:* Remove small rear cap. Keep front cap ON.

- **CUT-OUT AT BOTTOM:** Orient the lens flange cut-out to the **bottom** of the lens opening.
- **INSERT LENS:** The 3 slots on the lens flange align with the 3 lens mount screws—insert the lens so that screw heads slip through the *large* ends of the flange holes. See Figure 4.14.
- **ROTATE LENS:** Rotate the lens barrel clockwise until the screw heads lock into the *small* ends of the lens assembly slots. See Figure 4.14.



*NOTE:* For a motorized zoom lens, the rotation will skew the access holes away from the lens mount screws. Screws will still be accessible, however.





**Figure 4.14. Insert Lens and Rotate (FIXED LENS SHOWN)**

**STEP 6 ' Secure new lens assembly**

Secure the 3 lens mount screws. Refer back to *Figure 4.11. Accessing the Lens Mount Screws*—note 30° angle of hex driver required to secure a motorized zoom lens.

**STEP 7 ' Power Up and Calibrate the Lens**

Remove the lens cap and power up the projector. Press **[Lens]** **[1]** to focus, then select the “Calibrate Lens” option in the *Lens Control* menu.

**STEP 8 ' Reposition the projector for new lens**

Reposition the projector closer or further from the screen as necessary for the screen and the new lens type—refer to lens descriptions in *Section 2* and *Section 5* and *Appendix E, Throw Distance*. In a permanent installation, always use the appropriate throw distance formula.

**▲ IMPORTANT ▲**

**Always calibrate a newly installed lens.**

**4.6 Troubleshooting**

If the projector appears not to be operating properly, note the symptoms present and use the following guide to assist you. If you cannot resolve the problems yourself, contact your dealer for assistance.

*NOTE: Always check the LCD status window at the rear of the projector for initial information about a problem.*

**Symptom ' The projector will not turn on when **[Power]** is pressed...**

**CAUSE / REMEDY:**

1. Make sure to hold **[Power]** for approximately one second. Or press **[Power]** quickly and release, and follow with **[▲ON]**.
2. Do both LEDs come on at the rear of the projector? Check that the power cord is properly connected at the wall outlet and that you are using the original high-current cable provided with your projector.
3. Does the green "Status" LED flash with each key press? If not, the projector is not receiving the keypad's IR signals. Ensure the keypad is directed at either the front or rear of the projector, or at the screen. Also make sure that these paths are not blocked. Try the built-in keypad.



4. The batteries in the IR remote keypad may be weak. Refer to 4.3, *Replacing Keypad Batteries* for instructions.
5. The IR keypad may have been disabled by a change in protocol. See 2.10, *Keypad Protocols and Conversion* and 3.7, *Configuring System Parameters*.
6. Use the **Power\*** key on the built-in keypad to turn the projector on.

**Symptom** ' **The projector is on but I can't see display of source input...**

**CAUSE / REMEDY:**

1. Was the lens cover accidentally left on? Remove lens cover.
2. Is the correct AC power source connected? See *Section 5* for specifications.
3. Is the shutter closed? Is the projector in standby? Press **Exit** to clear.
4. Is an active source connected properly? Check the cable connections. And is the correct source selected? Press **Input1**, **Input2**, **Input3**, or **Input4** to select. See 2.4, *Source Connections* and 3.5, *Working with Inputs and Channels* for details.
5. Are there test patterns or menus present? If so, check your source connections again.
6. The room lighting may be too bright. Lower the intensity of the room lighting. Reduce light reflections as much as possible.
7. Increase contrast and/or brightness of image.
8. The projector may be too far from the screen. Move the projector closer.
9. Is the "Status" LED flashing a pattern of yellow and red lights while the "Power" LED is steady red? This indicates an internal system error that may prevent the projector from operating. If the problem persists contact a qualified Christie service technician.

**Symptom** ' **The projector does not respond to the infrared remote keypad...**

**CAUSE / REMEDY:**

1. Does the built-in keypad work? If so, check that the keypads are enabled.
2. Does the green "Status" LED flash each time a key is pressed? If not, the projector is not receiving the keypad's IR signals. Ensure the keypad is directed to either the front or rear of the projector, or towards the screen.
3. The viewing path between the IR keypad and the projector (or screen) may be blocked. Ensure there is a clear line-of-sight between the keypad and the projector (or screen).
4. The batteries in the IR remote keypad may be weak. Refer to 4.3, *Replacing Keypad Batteries* for instructions on how to replace the batteries.
5. There may be unusual lighting conditions in the room affecting IR keypad operation. Determine if such conditions exist and correct.
6. When broadcasting in a network, enter numbers directly on the keypad rather than holding **◀-** or **+▶** to change sidebar settings. Numeric entry eliminates the time delay to distant projectors, ensuring all projectors receive the command.
7. The IR keypad may have been disabled for use with this projector(s). Press **PROJ** **PROJ** to enable broadcasting to all projectors. See 2.10, *Keypad Protocols and Conversion* and 3.7, *Configuring System Parameters* for additional information.

**Symptom** ' **The power is on but the lamp is not...**

**CAUSE / REMEDY:**

1. Does the LCD status window say "warming up"?
2. The projector probably became overheated (there is likely an error code flashing and a message in the LCD status window). Allow to cool and make sure that nothing blocks projector vents. Do not operate in environments warmer than 35°C (95°F).

3. The lamp may have reached the end of its life. Check the “Lamp Hours” via RS-232 request **lph?**.

**Symptom** ' **Motorized FOCUS does not work...**

**CAUSE / REMEDY:**

1. Remote lens functions are standard with *Roadster* models only.
2. If **[Lens]** focus does nothing and the focus tabs move freely by hand, the focus motor (located just below the lens opening) has likely been bumped forward during rough transit of the projector, disengaging from its gear. Remove the lens and push the motor into the projector as far as possible (1/4”)—if necessary, wiggle the focus tabs slightly so that the motor engages with its gear internally.

**Symptom** ' **Motorized ZOOM does not work, or is limited...**

**CAUSE / REMEDY:**

1. Remote lens functions are standard with *Roadster* models only.
2. Motorized zoom function is not available for *VistaGRAPHX* zoom lenses 2.5-4:1 or 4-7:1, neither of which have a zoom gear, or fixed (non-zoom) lenses.
3. Calibrate the lens immediately after installation, and again if the lens is bumped or moved. This will re-establish correct ranges for all lens functions.

**Symptom** ' **ILS™ performance seems inaccurate...**

**CAUSE / REMEDY:**

1. Refer to *Operating Tips for Lens Settings and ILS™* in *Section 2* for a full understanding of how to optimize *ILS™* performance.
2. A 20 minute warm-up of the projector is always recommended.

**Symptom** ' **The display is jittery or unstable...**

**CAUSE / REMEDY:**

1. If the display is jittery or if it disappears and reappears erratically, check that the source is properly connected and that its signal is of adequate quality for detection. For example, if the projector scans the default input **[input]** for a signal to display, and a poor quality or improperly connected source is connected, the projector will briefly and repeatedly attempt to display an image. If no source is connected, the "No signal present" error message appears over a blank display. Correct the source connection.
2. The horizontal or vertical scan frequency of the input signal may be out of range of the projector. Refer to *Section 5, Specifications* for scan frequency ranges.
3. The sync signal may be inadequate. Correct the source problem.
4. The input signal type may conflict with the input module. Install/use the correct module for the source.
5. Pixel tracking, phase, filter, etc. may need more adjustment.

**Symptom** ' **The display is faint...**

**CAUSE / REMEDY:**

1. Check *Input Levels* option—turn Auto input Level to “off”, then “on” again.
2. Brightness and/or contrast may be set too low. Adjust as necessary.
3. Gamma may be poor. Recommended setting for most signals is “Default”.
4. The projection room may be too bright. Lower the intensity of projection room lighting and reduce light reflections as much as possible.
5. The projector may be too far from the screen. Move the projector closer.
6. The location of the audience with respect to the screen may not be ideal. Make sure the audience is within the viewing angle set by the projector and screen position, and the screen type.
7. The source may be double terminated. Ensure the source is terminated only once.

8. The source (if non-video) may need sync tip clamping. Enter a check in the "Clamp Tip" box found in the *Input Levels* submenu.

- Symptom** ' **The display is reversed and/or upside-down...**  
**CAUSE / REMEDY:**
1. The projector's image orientation is not set correctly for the current installation. Refer to 2.6, *Operating Orientation* to set the projector's image orientation to match your installation.
- Symptom** ' **The upper portion of the display is waving, tearing or jittering...**  
**CAUSE / REMEDY:**
1. This can sometimes occur with video or VCR sources. If you are using a VCR, make sure that the "VCR" option is checked (in *Image Settings / Video Options*).
- Symptom** ' **Portions of the display are cut off or wrap to the opposite edge...**  
**CAUSE / REMEDY:**
1. Reduce top, bottom, left or right blanking from within the *Size and Position* menu. Check size and position adjustments.
  2. Resizing may need adjustment. Adjust until entire image is visible and centered.
- Symptom** ' **The display appears compressed or stretched...**  
**CAUSE / REMEDY:**
1. The frequency of the pixel sampling clock is incorrect for the current source.
  2. The *Size and Position* options may be adjusted poorly for the incoming source signal. See 3.6, *Adjusting the Image*.
- Symptom** ' **Display quality appears to drift from good to bad, bad to good...**  
**CAUSE / REMEDY:**
1. The operating temperature of the projector may be fluctuating. Watch that the projector is not located too close to heating/air conditioning vents.
  2. The source input signal may be of low quality.
  3. The horizontal or vertical frequency of the input may have changed at the source end.
- Symptom** ' **The display has suddenly frozen, or an unknown menu has appeared...**  
**CAUSE / REMEDY:**
1. You may have accidentally entered a special engineering code using the **[Func]** key in combination with certain numbers, or you may have selected the "Freeze Image" option. Press **[Exit]** as necessary to cancel the function and return to presentation level.
  2. If the screen blacks out inexplicably, it is possible that excessive voltage noise on the AC or ground input has interrupted the projector's ability to lock on to a signal. Turn the projector off, wait for the lamp fans to stop, and unplug. Plug in again and power up as usual.
- Symptom** ' **The display is not sharp or "clean"...**  
**CAUSE / REMEDY:**
1. More display adjustment may be required—focus, brightness, contrast, pixel tracking, pixel phase, and detail.
  2. If you are using a BNC T-connector, try using a distribution amplifier to boost signal levels.
  3. Is the video input signal properly terminated? Set in *Video Options* menu.
  4. The screen size may be too large. As screen size increases, magnification increases, reducing brightness and clarity. See lens specifications in *Section 5*.
  5. The source input signal may be of low quality. Try another source.

**Symptom** ' **Colors in the display are inaccurate...**

**CAUSE / REMEDY:**

1. The color, tint, gamma, color space and/or color temperature settings may require adjustment. Review all settings, and refer to 3.6, *Adjusting the Image* and 3.7, *Configuring System Parameters*.

**Symptom** ' **The display is not rectangular...**

**CAUSE / REMEDY:**

1. Check leveling of the projector. If necessary, try relocating the projector or screen so that the lens surface and screen are approximately parallel
2. Is the vertical offset set correctly ? Adjust as necessary using the vertical offset knob on the front of the projector.
3. The “Vertical Stretch” option may need adjustment. Also check pixel tracking.

**Symptom** ' **The display is “noisy”...**

**CAUSE / REMEDY:**

1. Display adjustment may be required. Adjust pixel tracking, phase and filter. Noise is particularly common on YPbPr signals from a DVD player.
2. The video input may not be terminated. Make sure the video input is terminated (75 S). If it is the last connection in a loop-through chain, the video input should be terminated at the *last* projector only.
3. The signal cables carrying the input signal may be of poor quality. Use only good quality signal cables.
4. The distance between the input source device and the projector may be too great. If the distance between the input source device and the projector is greater than 25 feet, signal amplification/conditioning may be required.
5. The input signal may be of poor quality.
6. If the source is a VCR or off-air broadcast, detail may be set too high. Keep near 4 for most sources.

**Symptom** ' **I cannot access the bottom lamp screw in order to remove the lamp**

**CAUSE/REMEDY:**

1. The vertical offset is too substantial, causing the moveable internal component to block access to the screw. Decrease the vertical offset to move the component up and out of the way. *NOTE: If your projector has a motorized lens mount and cannot power-up due to an expired lamp or power supply problem, the motorized functions must be disabled and then vertical offset adjusted manually. Contact your dealer or the manufacturer.*

# Specifications

## 5.1 Specifications

All Roadster  
All Vista

NOTES: 1) Due to continuing research, specifications are subject to change without notice. 2) Specifications apply to all models unless otherwise noted. 3) Roadster X4/ S4 and Vista S5 are no longer manufactured.

### Display

#### Panel Resolution and Refresh Rate

Pixel format (H x V) on 3 DMD panels      1280 x 1024 (SXGA) or 1080 x 768 (XGA)  
Refresh rate (panel)      23.97 – 78 Hz

#### Brightness in maximum output conditions

Vista X3/S3 = 3000 ANSI lumens      Roadster X4/S4 = 4000 ANSI lumens  
Vista X5/S5 = 5000 ANSI lumens      Roadster X6/S6 = 6000 ANSI lumens  
Roadster X9/S9 = 8500 ANSI lumens

#### Contrast Ratio in maximum contrast conditions

Vista X3/X5, Roadster X4/X6	300:1 ANSI	500:1 full on / full off
All 700W or 1200W "S" models	300:1 ANSI	800:1 full on / full off
Roadster X9	400:1 ANSI	500:1 full on / full off
Roadster S9	400:1 ANSI	800:1 full on / full off

#### Color Gamut and Gray Scale

Gamut of displayable colors	> 1 billion
Gray scale resolution (standard)	8 bit
Gray scale resolution (with ADP installed)	10 bit
Gamma processing	13 bit

#### Color Temperature

Default	6500K
Range of Adjustment	3200K to 9300K

### Lenses

Lens Type / Throw Ratio	Diagonal Screen Size (ft.)	Max. % of Image Offset from Lens Center		
0.8:1 (VistaGRAPHX)	5-25	↑ 91%	↓ 100%	Ø 77%
1.2:1	5-30	↑ 104%	↓ 100%	Ø 77%
1.5 - 2.2:1	5-40	↑ 128%	↓ 100%	Ø 77%
2.2 - 4:1	5-40	↑ 128%	↓ 100%	Ø 77%
2.5 - 4:1 (VistaGRAPHX)	5-40	↑ 123%	↓ 100%	Ø 77%
4 - 7:1	8-40	↑ 130%	↓ 100%	Ø 77%
4 - 7:1 (VistaGRAPHX)	10-40	↑ 114%	↓ 100%	Ø 77%

NOTES: 1) VistaGRAPHX lenses (noted above) require a threaded adapter/flange for installation in this projector.  
2) VistaGRAPHX zoom lenses (noted above) do not offer motorized zoom function. Manual only.  
3) VistaGRAPHX 0.8:1 lens is not recommended for use in "S" models.  
4) Maximum offsets are reduced when simultaneously offsetting horizontally and vertically.  
5) Offsets shown are for motorized lens mounts. Manual offset ranges may differ.

<b>Inputs</b>	Number of inputs	2 RGBHV (second input via plug-in module) 2 video, 4 stereo (audio standard on Vista only))
---------------	------------------	--

### **Analog RGB and YPbPr (INTERLACED OR PROGRESSIVE SCAN FORMAT)**

Horizontal frequency range *	15 – 120 kHz *
Vertical frequency range	23.97 – 120 Hz
Pixel clock rate	10 – 160 MHz
Active pixels per scan line (H)	640 – 2048
Active lines per frame/field (V)	200 – 2000
Signal format	Analog RGB or YPbPr
Input levels	
R,B,G,Y — with sync	1.0V <sub>p-p</sub> ±2 dB
R,G,B — without sync	0.7V <sub>p-p</sub> ±2 dB
Pb,Pr	0.7V <sub>p-p</sub> ±2 dB
DC offset	± 5V
Nominal impedance	75 ohms
Maximum return loss (VSWR)	1.2:1 dB @ 200 MHz

\* Input frequencies higher than the maximum panel refresh rate will be displayed at a lower rate.

### **Analog Video**

Signal formats	Composite (CVBS), S-Video (Y/C)
Video standards	NTSC, NTSC 4.43, PAL, PAL-M, PAL-N, PAL-60 & SECAM
Input level, Composite	1.0 V <sub>p-p</sub> ± 3db (including sync tip)
Input level, S-Video, Luma (Y)	1.0 V <sub>p-p</sub> ± 3db (including sync tip)
Input level, S-Video, Chroma (C)	630 mV <sub>p-p</sub> nominal (burst)
DC offset	± 5V
Nominal impedance	75 ohms
Maximum return loss (VSWR)	1.2:1 dB @ 6 MHz

### **SYNC (INTERLACED OR PROGRESSIVE SCAN FORMAT)**

Input level **	0.5V <sub>p-p</sub> – 5.0V <sub>p-p</sub>
DC operating range **	0V – 5V
Impedance (for composite or separate H & V)	75 ohms
Sync type	<ul style="list-style-type: none"> <li>• Separate H and V</li> <li>• Bi-level or tri-level sync-on-green</li> <li>• Bi-level or tri-level composite</li> </ul>
Polarity **	Positive or negative

\*\* Not applicable for sync-on-green

### **Audio (NOTE: STANDARD ON VISTA MODELS ONLY)**

Number & type of inputs	4 pairs of phono plug
Nominal input and output level	1.0 V <sub>p-p</sub>
DC offset	± 2V
Impedance	30k ohms ± 10k ohm
Volume control range	-60 dB to +20 dB
Bandwidth (± 3 dB)	30 Hz to 20 kHz

### **RS-232 Serial Input**

Number of connectors	3 (1 network in, 1 network out, 1 for switcher control)
Connector type	9 pin D

**RS-422 Serial Input**

Number of connectors 2  
 Connector type 6-pin XLR

**Wired Control Input**

Optional wired keypad 3-pin XLR connector  
 Input level High 2.0V min., Low 0.7V max.

**Power Requirements**

**General**

Voltage range (auto switching) for X3/S3 and X4/S4 100 to 240 VAC ±10%  
 Voltage range (auto switching) for X5/S5, X6/S6 and X9/S9 200 to 240 VAC ±10%  
 Line frequency, all 50 – 60 Hz nominal  
 Max. inrush current X3/S3, X4/S4, X5/S5, and X6/S6 60 amps  
 Max. inrush current X9/S9 85 amps  
 Max. current rating for X3/S3 and X4/S4 11.5 amps @ 100V  
 Max. current rating for X5/S5 and X6/S6 8.5 amps @ 200V  
 Max. current rating for X9/S9 12 amps @ 200V  
 Max. power consumption for X3/S3 and X4/S4 1150 watts  
 Max. power consumption for X5/S5 and X6/S6 1700 watts  
 Max. power consumption for X9/S9 2400 watts

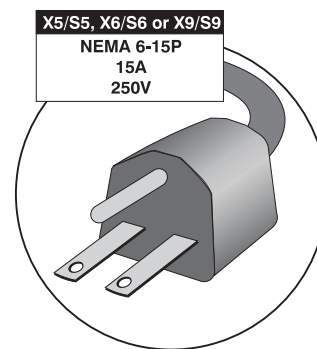
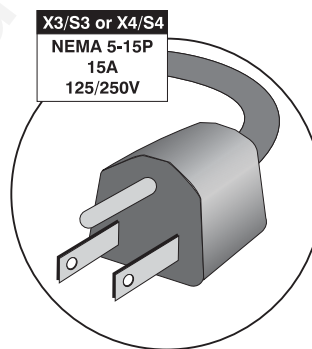
**Line Cords**

X3/S3 and X4/S4 10' heavy-duty, high current  
 X5/S5, X6/S6, and X9/S9 12' heavy-duty, high current

Length	Rating	Gauge
10'	250V	16 AWG
15'	250V	14 AWG
20'	250V	12 AWG

**Plugs**

X3/S3 and X4/S4 NEMA 5-15P, 15A, 125/250V  
 X5/S5, X6/S6, and X9/S9 NEMA 6-15P, 15A, 250V



**Lamp**

Type (X3/S3, X4/S4) 700 watt Xenon short arc, open  
 Type (X5/S5, X6/S6) 1200 watt Xenon short arc, open  
 Type (X9/S9) 1700 watt Xenon short arc, open  
 Adjustment range for X3/S3 and X4/S4 450-700 watts  
 Adjustment range for X5/S5 and X6/S6 800-1200 watts  
 Adjustment range for X9/S9 1200-1700 watts  
 Operating angle any vertical angle, ±15° horizontal  
 Warm up period to full brightness 5 minutes  
 Rated life 1000 hours to half intensity



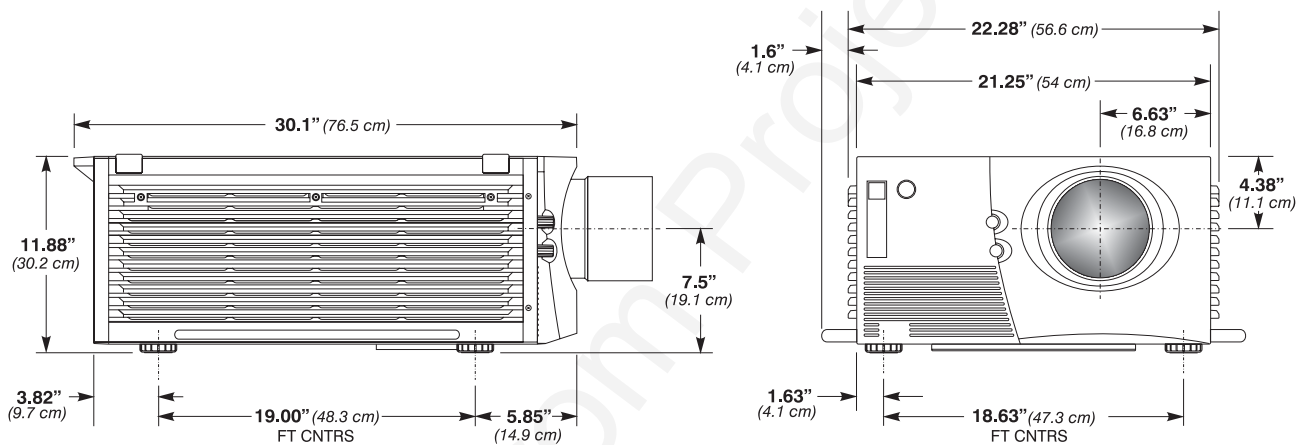
**SPECIFICATIONS**

**IR Control**

Typical range	100°, line-of-sight
IR carrier frequency (subcarrier modulated)	336 kHz
Battery type (4 required)	AA 1.5 V (Alkaline cells)
Battery life	1 yr. Shelf, 1 mo. continuous use

**Size & Weight**

<b>Roadster</b>	
Size (W x L x H of product only, no lens)	27.3 (69.3 cm) x 30.3" (77 cm) x 11.9" (30.2 cm)
Max. weight of product, no lens	114 lb. (51.7 kg)
Max. shipping weight	176 lb. (79.9 kg)
<b>Vista</b>	
Size (W x L x H of product only, no lens)	22.3" (56.6 cm) x 30.3" (77 cm) x 11.9" (30.2 cm)
Weight of product, no lens	88 lb. (39.9 kg)
Shipping weight	147 lb. (66.7 kg)



**Figure 5.1. Projector Dimensions (Roadster shown)**

**Safety**

C.S.A. C22.2. No. 950 (M94), U.L. 1950 and EN60950

**EMC Emissions**

- FCC Part 15 Class A Conducted and Radiated Emissions
- CISPR 22 Class A Conducted and Radiated Emissions

**EMC Immunity**

- EN55024 (all parts)

**Operating Environment**

Temperature	0°C to 35°C (32°F to 95°F)
Humidity (non-condensing)	20% to 80%
Altitude	0 – 3000 meters

**Non-operating Environment**

Temperature	-25°C to 55°C (-22°F to 120°F)
Humidity (non-condensing)	0% to 95%

**Standard Components**

- IR (infrared) Remote Keypad — includes batteries
- High current AC line cord
- User's Manual
- 9/64" hex socket ball driver
- 4 Eyebolts (Roadster only)

**Options****Accessories**

Wired Remote Keypad

2-Way Controller (*NOTE: v1.2 or higher TWC required for CoRE v1.4 or higher*)

IR Remote Sensor

Alternate Throw Lenses (*see page 5-1*)

Roadster Hoisting/Stacking Kit

Universal Ceiling Mount (includes Roadster / *Vista* adapter)

*CoRE Librarian* for downloading new software

Threaded lens adapter/flange for installing *VistaGRAPHX* lenses

Shutter kit (*for Vista*)

**Input Modules (“Interfaces”)**

RGB500 Input Module

RGB400 Active Loop-Through Input Module

RGB400 Buffered Amplifier Input Module

Composite/S-Video Input Module

PC250 Analog Input Module

Serial Digital Input Module

Digital HDTV Input Module

DVI Input Module

**Other**

Advanced Digital Processing (ADP) Module



# Appendix A

## Glossary

---

This appendix defines the specific terms used in this manual as they apply to this projector. Also included are other general terms commonly used in the projection industry.

<b>Active Line Time</b>	'	The time, inside one horizontal scan line, during which video is generated.
<b>Ambient Light Rejection</b>	'	The ability of a screen to reflect ambient light in a direction away from the "line of best viewing". Curved screens usually have good ambient light rejection. Flat screens usually have less ambient light rejection.
<b>Analog Video</b>	'	The video output of most computers and video tape machines. Analog video can generate a large number of colors.
<b>Aspect Ratio</b>	'	The ratio of the width of an image to its height, such as the 4:3 aspect ratio common in video output.
<b>Auto Source</b>	'	The ability of the projector to automatically recognize and synchronize to the horizontal and vertical scan frequencies of an input signal for proper display.
<b>Backlash Zone</b>	'	The extra travel distance required for accurate lens mount positions in a <i>Roadster</i> , <i>Vista</i> or <i>Mirage</i> projector having a motorized lens mount.
<b>Bandwidth</b>	'	The frequency range of the projector's video amplifier.
<b>Baud Rate</b>	'	The speed at which serial communications travel from their origin. In this projector, the RS-232 or RS-422 default baud rate of 19200 can be changed to match a controlling device. The switcher baud rate of 9600 cannot be changed.
<b>Blanking Time</b>	'	The time inside one scan line during which video is not generated. The blanking time of the input signal must be equal to or greater than the retrace time of the projector.
<b>Brightness</b>	'	In projection, brightness usually describes the amount of light emitted from a surface such as a screen. It is measured in foot-lamberts or candelas per square meter.
<b>Candela or Candle</b>	'	Unit of measure for measuring intensity of light.
<b>Channel</b>	'	A collection of measurements stored by the projector for a given input source, including frequencies, pulse width, polarity, syncs, channel number and location, user-adjustable display settings, etc. Use channels to switch between a variety of setups quickly, automatically recalling previously defined display parameters.
<b>Channel List</b>	'	A list/menu of previously-defined channels available in projector memory.

<b>Channel Number</b>	' A number that uniquely identifies a specific channel retained in projector memory. The projector can retain up to 99 channels.
<b>Checkbox</b>	' A menu item that indicates whether an option is currently in effect (checked) or not (unchecked).
<b>Color Shift</b>	' A change in the tint of a white field across an image.
<b>Color Temperature</b>	' The coloration (reddish, white, bluish, greenish, etc.) of white in an image, measured using the Kelvin (degrees K) temperature scale. Higher temperatures output more light.
<b>Component Video</b>	' See <i>YCbCr</i> or <i>YPbPr</i> .
<b>Composite Video</b>	' The output of video tape players and some computers, characterized by synchronization, luminance and color signals combined on one output cable.
<b>Contrast (ratio)</b>	' The degree of difference between the lightest and darkest areas of the image.
<b>Convergence</b>	' The alignment of the red, green, and blue elements of a projected image.
<b>Curved Screen</b>	' A projection screen which is slightly concave for improved screen gain. Curved screens usually have screen gains which are greater than 1 but viewing angles much less than 180°. Curved screens are not recommended for use with this projector.
<b>DDI</b>	' A “direct digital interface” signal can be supplied to the projector via an optional digital input module installed in <b>INPUT 2</b> . For example, you can input an SMPTE-259M signal using a <i>Serial Digital Input Module</i> or input an SMPTE-272M signal from a <i>Digital HDTV Serial Input Module</i> .
<b>DMD™</b>	' Digital Micromirror Devices™ used in this projector for processing red, green, and blue color data.
<b>Decoder</b>	' Located at <b>INPUT 3</b> and <b>INPUT 4</b> , this device converts NTSC 3.58, NTSC 4.4, PAL, PAL-N, PAL-M, or SECAM to RGB video.
<b>Detail</b>	' The sharpness of a display from a video source.
<b>Diffused Screen</b>	' A type of rear-projection screen which spreads the light striking it. Screen gain is less than 1 but audience viewing angles are increased.
<b>Display Setting</b>	' An adjustment that affects the display of an image. Such display settings include contrast, brightness, tint, blanking, size, offsets, and others.
<b>Flicker</b>	' A very rapid variation in image brightness caused by a frame rate that is too slow. (See <i>Interlace</i> .)
<b>Frame Rate</b>	' The frequency at which complete images are generated. For non-interlaced signals, the frame rate is identical to the vertical frequency. For interlaced signals, the frame rate (also known as field rate) is one half of vertical frequency.
<b>Foot-candle</b>	' The intensity of visible light per square foot.
<b>Foot-lambert</b>	' The luminance (brightness) which results from one foot-candle of illumination falling on a perfectly diffuse surface.

- Gain or Screen Gain** ' The ability of a screen to direct incident light to an audience. A flat matte white wall has a gain of approximately 1. Screens with gain less than 1 attenuate incident light; screens with gain more than 1 direct more incident light to the audience but have a narrow viewing angle. For example: An image reflecting off a 10 gain screen appears 10 times brighter than it would if reflected off a matte white wall. Curved screens usually have larger gain than flat screens.
- Help Screen** ' A display of help information regarding the current task or presentation.
- Horizontal Frequency** ' The frequency at which scan lines are generated, which varies amongst sources. Also called horizontal scan rate or line rate.
- Horizontal Offset** ' The difference between the center of the projected image and the center of the projector lens. For this projector, this value is expressed as the maximum percentage of the image that can be projected to one side of the lens center without degrading the image quality. Horizontal offset ranges can be affected by the type of lens in use, and whether or not the image is offset vertically at the same time.
- Hot Spot** ' A circular area of a screen where the image appears brighter than elsewhere on the screen. A hot spot appears along the line of sight and "moves" with the line of sight. High gain screens and rear screens designed for slide or movie projection usually have a hot spot.
- ILS™** ' The *Intelligent Lens System™* describes the ability of projectors having a motorized lens mount to automatically return to lens settings previously defined for a particular channel.
- Input** ' A physical connection route for a source signal, described by a 2-digit number representing 1) its switcher/projector location and 2) its slot in the switcher/projector.
- Input Signal** ' Signal sent from a source device to the projector.
- Interface** ' A device, such as the *Serial Digital Input Module*, that accepts an input signal for display by the projector.
- Interlace** ' A method used by video tape players and some computers to double the vertical resolution without increasing the horizontal line rate. If the resulting frame/field rate is too low, the image may flicker depending on the image content.
- Keypad** ' A small push-button device for controlling most projector settings and operation. For more information, refer to 3.3, *Using the Keypad*.
- Keystone** ' A distortion of the image which occurs when the top and bottom borders of the image are unequal in length. Side borders both slant in or out, producing a "keyhole" shaped image. It is caused when the screen and lens surface are not parallel, or (in "X" models) by poor Keystone adjustment.
- Linearity** ' The reproduction of the horizontal and vertical size of characters and/or shapes over the entire screen.
- Line of Best Viewing** ' When light from a projector is incident on a screen, the light reflects from the screen such that the angle of reflection equals the angle of incidence. The Line of Best Viewing is along the line of reflection.

<b>Loophrough (Loophtru)</b>	The method of feeding a series of high impedance inputs from a single video source with a coaxial transmission line in such a manner that the line is terminated with its characteristic impedance at the last input on the line.
<b>Lumen</b>	The unit of measure for the amount of visible light emitted by a light source.
<b>Lux</b>	The amount of visible light per square meter incident on a surface. <i>1 lux = 1 lumen/square meter = 0.093 foot-candles</i>
<b>Menu</b>	A list of selectable options displayed on the screen.
<b>NTSC Video</b>	A video output format of some video tape and disk players. There are two types of NTSC (National Television Standards Committee) video: NTSC 3.58 and NTSC 4.43. NTSC 3.58 is used primarily in North America and Japan. NTSC 4.43 is less commonly used.
<b>Optical Screen</b>	A type of rear-projection screen which re-directs light through the screen to increase image brightness in front of the screen. Screen gain is usually greater than 1 but audience viewing angles are reduced.
<b>PAL Video</b>	PAL (Phase Alternating Line) video is a 50 Hz standard with 768 x 576 resolution. It is found on some video tape and disk players (used primarily in Europe, China and some South American and African countries).
<b>Pincushion</b>	A distortion of the image shape characterized by concave or convex borders.
<b>Pixel (picture element)</b>	The smallest discernible element of data from a computer-generated image.
<b>Pixel Phase</b>	The phase of the pixel sampling clock relative to incoming data.
<b>Pixel Tracking</b>	The frequency of the pixel sampling clock, indicated by the number of pixels per line.
<b>Presentation Level</b>	The projector is at presentation level when an image from a source is displayed without the presence of a slidebar, menu, pull-down list, or error message.
<b>Projector-to-Screen Distance</b>	The distance between the projector's front feet centers and the screen. Also called "Throw Distance".
<b>Protocol</b>	The type of code format called "A" or "B" utilized by the remote keypad(s). The default protocol set at manufacture is Protocol "A". By using two different keypad protocols, adjacent projectors can be controlled independently with their remote IR keypads.
<b>Pull-down List</b>	A selectable menu item that unfolds into a list of options pertaining to it.
<b>Rear Screen</b>	A translucent panel for screen projection. Incident light travels through the incident surface of a rear screen and forms an image on the other surface.
<b>Resizing</b>	The ability to manipulate through software commands the physical size, placement and/or aspect ratio of an image.
<b>Resolution (lens)</b>	The maximum number of alternate white and black horizontal lines that can be distinguished on a screen when a photographic target is placed between the lens and a light source and illuminated by that source.



<b>Resolution (projector)</b>	The maximum number of pixels that the projector can display horizontally and vertically across an image, such as 1024 x 768 (called XGA).
<b>Retrace Time (Horizontal)</b>	The minimum time required for a CRT projector to move the position of the scanning spot from the right edge to the left edge.
<b>Rise Time</b>	The time required by the video amplifier of the projector to increase its output from 10% to 90% of the maximum value.
<b>RGB Video</b>	The video output (analog or digital) of most computers. Analog RGB video can have 3, 4, or 5 wires — one each for red, green, and blue, and either none, one or two for sync. For three-wire RGB, the green wire usually provides sync. (See TTL Video).
<b>RS-232</b>	A common asynchronous data transmission standard recommended by the Electronics Industries Association (EIA). Also called serial communication.
<b>RS-422</b>	A less common asynchronous data transmission standard in which balanced differential voltage is specified. RS-422 is especially suited to long distances.
<b>S-Video</b>	The output from certain video tape players and video equipment. S-Video separates sync and luminance from color information, typically producing a higher quality display than composite video.
<b>Scan Frequency</b>	The horizontal or vertical frequency at which images are generated.
<b>Scan Line</b>	One horizontal line on the display.
<b>SECAM</b>	A video output format of some video tape and disk players (used primarily in France). SECAM (Sequential Couleur á Mémoire) signals are similar in resolution and frequency to PAL signals. The primary difference between the two standards is in the way color information is encoded.
<b>Slidebar</b>	A slidebar is a graphical display of an adjustable setting. The numerical setting often represents a percentage but can be a specific unit such as degrees Kelvin.
<b>Source</b>	The device, such as a computer or VCR, connected to the projector for display. A source is identified at the projector as <b>Input1</b> , <b>Input2</b> , <b>Input3</b> or <b>Input4</b> , or as other user-defined numbers. A source may have numerous corresponding channels defined and recognized by the projector. See <i>Input</i> .
<b>Source Setup</b>	See <i>Channel</i> .
<b>Spot Size</b>	The diameter of the smallest dot that can be generated by a CRT projector. This projector has a fixed spot (pixel) size.
<b>Switcher</b>	A signal selector, such as the Christie <i>Marquee Signal Switcher</i> , that can be connected to a projector for the purpose of adding more sources.
<b>Sync</b>	This term refers to the part of the video signal that is used to stabilize the picture. Sync can occur in three forms: <ol style="list-style-type: none"> <li>1) "Composite sync": the horizontal and vertical components are together on one cable.</li> <li>2) "Sync-on-green": the sync is part of the green video.</li> </ol>

	3) "Separate sync" or "H.SYNC and V.SYNC": the horizontal and vertical components of the sync are on two separate cables.
<b>Sync Width</b>	The duration of each sync pulse generated by a computer. The sync width is part of the blanking time.
<b>TTL Video</b>	A type of RGB video with digital characteristics.
<b>Terminated</b>	A wire connecting a single video source to a display device, such as a projector, must be terminated by a resistance (usually 75 $\Omega$ for video).
<b>Throw Distance</b>	The distance between the front feet of the projector and the screen. Also called "Projector-to-Screen Distance". Always use the correct Christie throw distance formula to calculate the proper throw distance ( $\pm 5\%$ ) required for your lens.
<b>Tint</b>	Balance of red-to-green necessary for realistic representation of NTSC signals.
<b>Variable Scan</b>	The ability of a projector to synchronize to inputs with frequencies within a specified range.
<b>Vertical Frequency</b>	The frequency at which images are generated. Vertical frequencies vary amongst sources. Also called vertical scan rate.
<b>Vertical Offset</b>	The difference between the center of the projected image and the center of the projector lens. For this projector, this value is expressed as the maximum percentage of the image that can be projected above or below the lens center without degrading the image quality. Vertical offset ranges depend on the type of lens in use, and whether or not the image is offset horizontally at the same time.
<b>Video</b>	The signal that is used by display devices (such as projectors) to generate an image. This term also refers to the output of video tape/disk players and computers.
<b>Video Decoder</b>	An optional device that converts NTSC 3.58, NTSC 4.4, PAL, PAL-N, PAL-M or SECAM to RGB video.
<b>Video Standard</b>	A specific type of video signal, such as NTSC, PAL, SECAM. This projector can automatically recognize and interpret the incoming standard and display accordingly.
<b>Viewing Angle</b>	Screens do not reflect equally in all directions. Most light is reflected in a conical volume centered around the "line of best viewing". Maximum brightness is perceived if you are within the viewing cone defined by the horizontal and vertical viewing angles.
<b>White Balance</b>	The color temperature of white used by the projector.
<b>White Field</b>	The area of an image that is white only. For example, a full white field is an image that is white everywhere. A 10% white field is a white area (usually rectangular) that occupies 10% of the image; the remaining 90% is black.
<b>YCbCr</b>	A high-end <i>digital</i> component video signal.
<b>YPbPr</b>	A high-end <i>analog</i> component video signal. Sometimes called YUV, Component, or Y, R-Y, B-Y, the YPbPr signal by-passes the video decoder in this projector.
<b>YUV</b>	See <i>YPbPr</i> .
<b>Zoom</b>	The adjustment of image size by means of a zoom lens.

# Keypad Reference

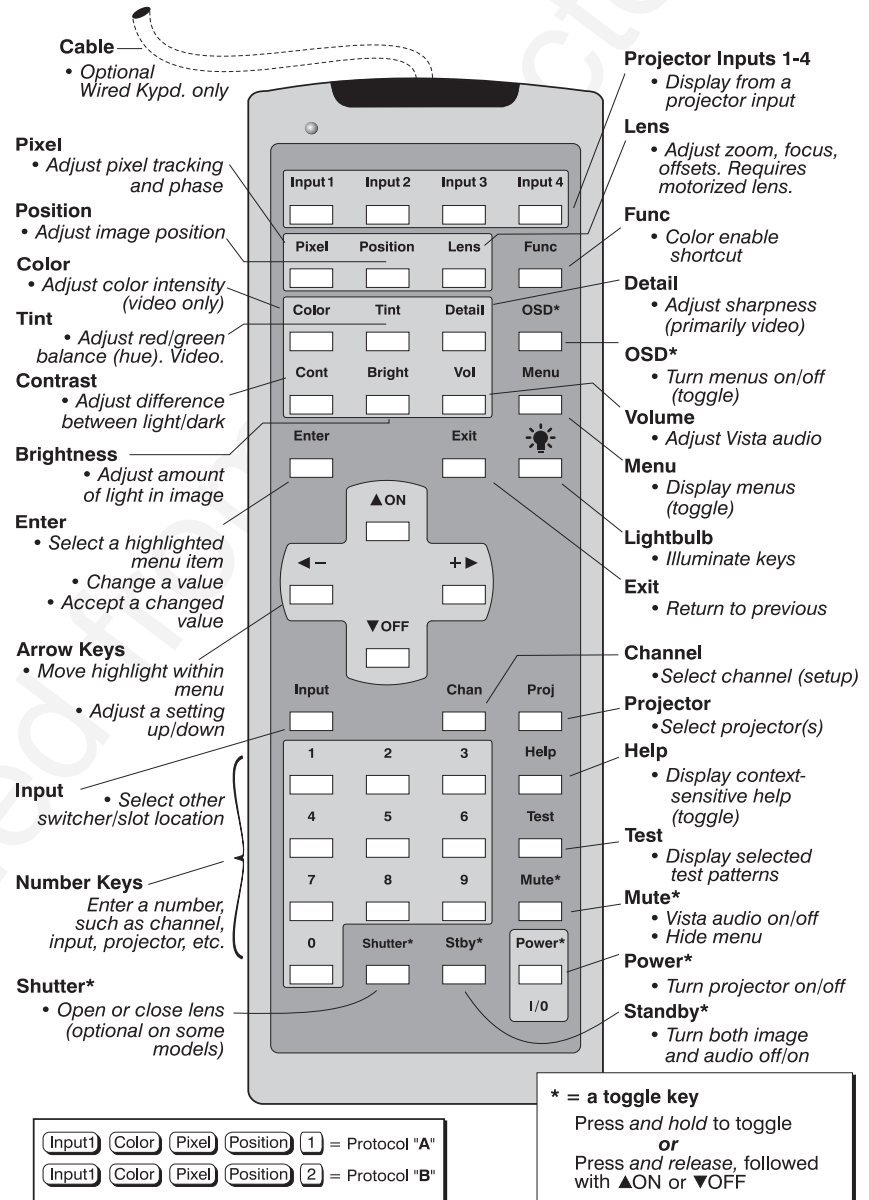
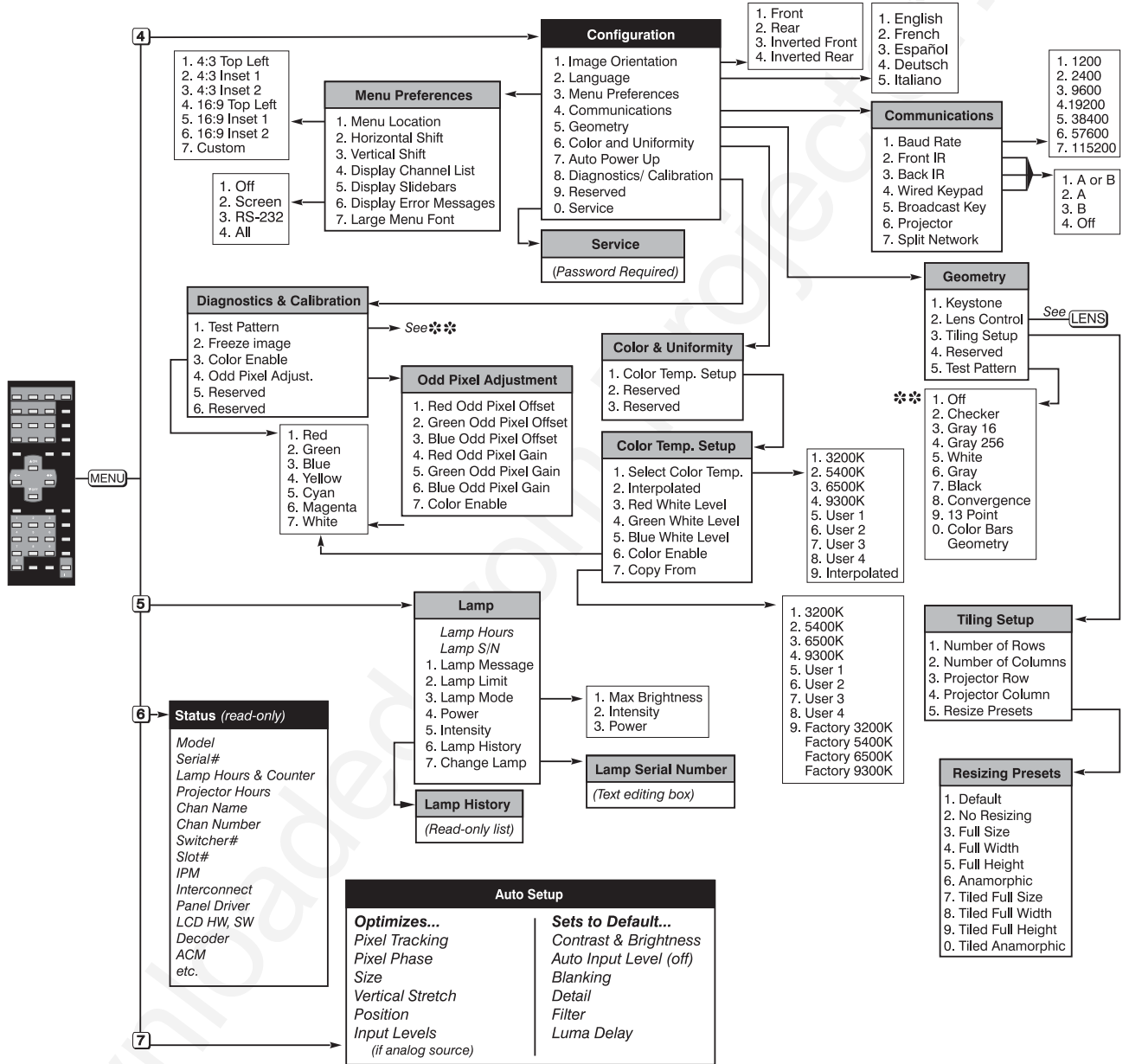


Figure B-1. Keypad





...Continued

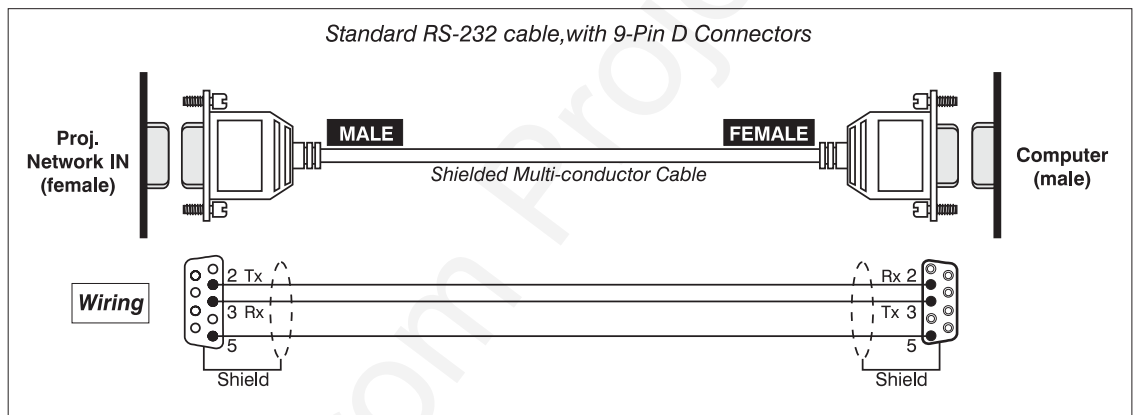


# Serial Communication Cables

When connecting a Roadster and/or Vista projector to a computer, another projector, or a *Marquee Signal Switcher*, use the appropriate serial communication shielded cabling as illustrated.

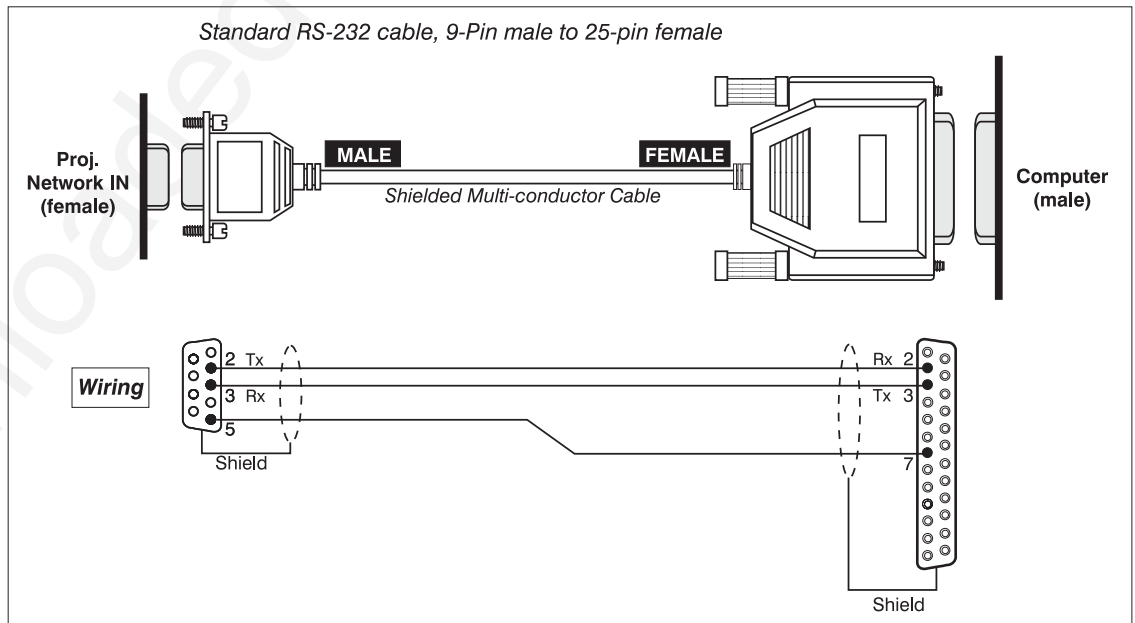
□ **From projector to computer (RS-232)**

*For computers having a 9-pin "AT" type serial port*

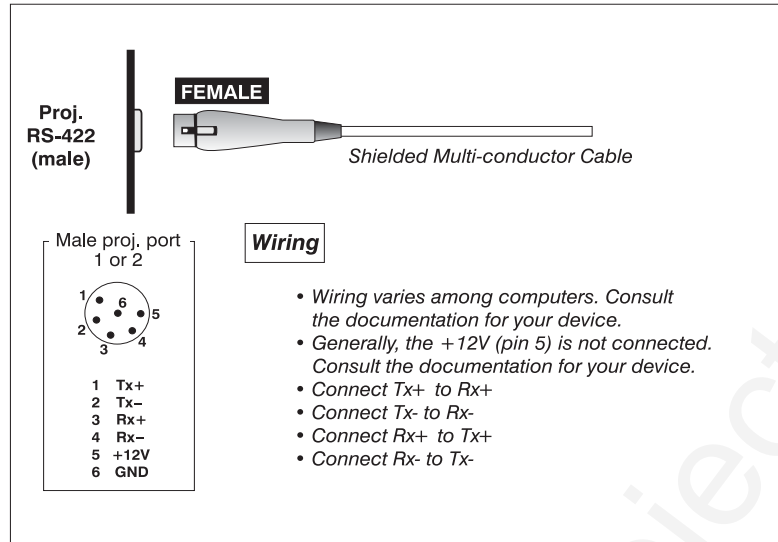


□ **From projector to computer (RS-232)**

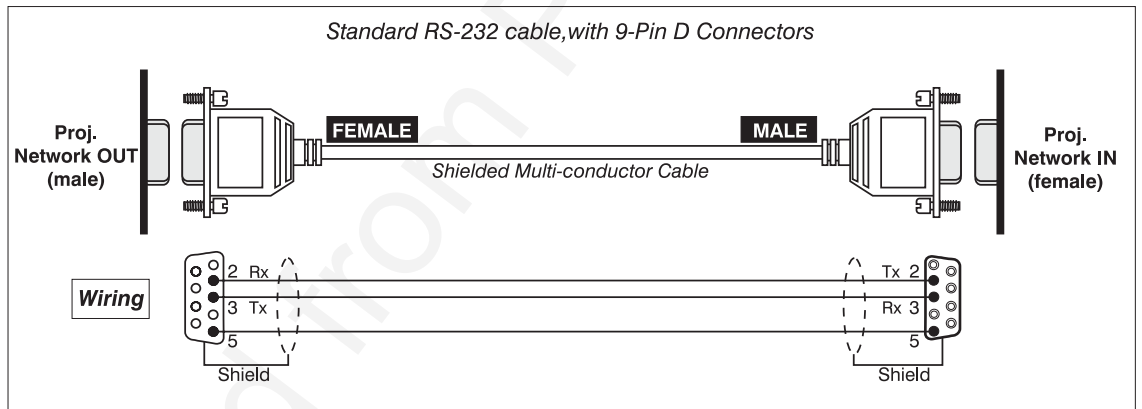
*For computers having a 25-pin serial port*



□ From projector to RS-422 compatible computer

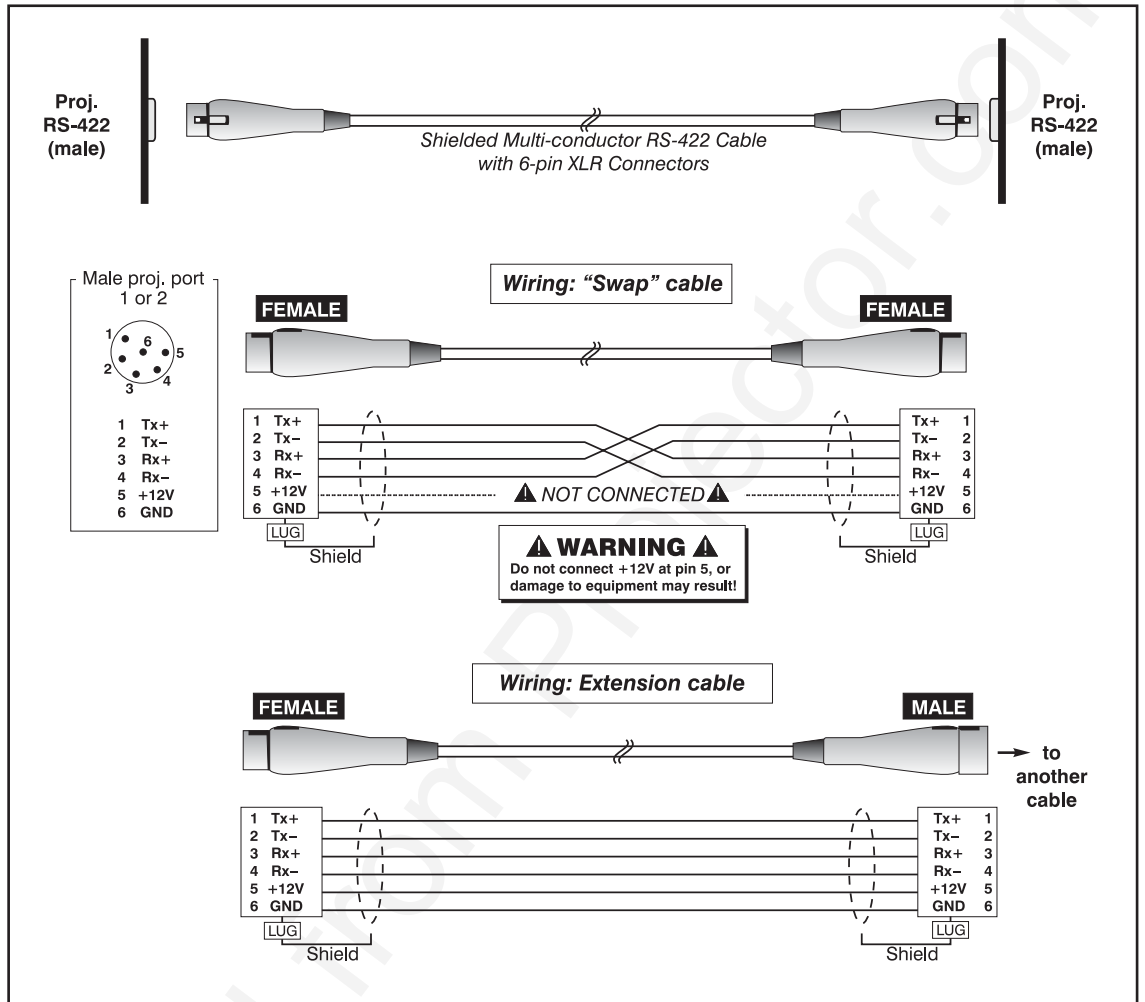


□ From projector to projector (RS-232)

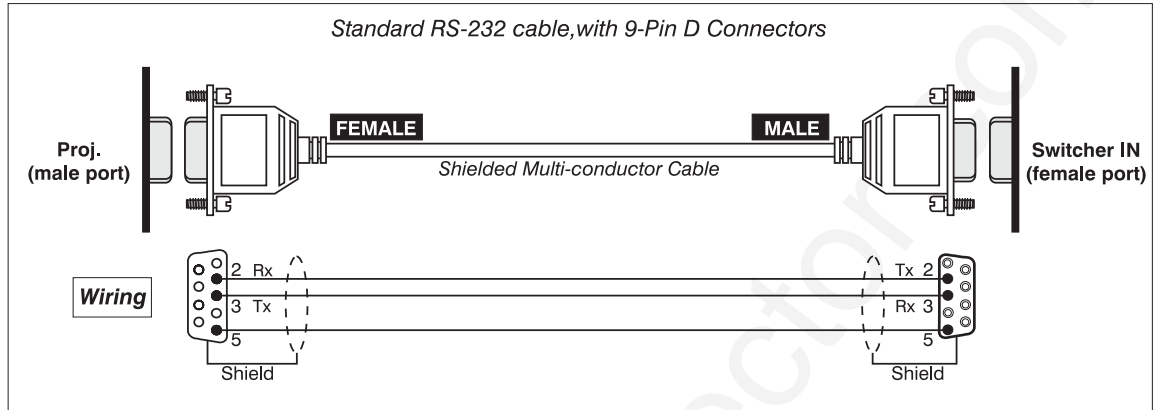




□ From projector to projector (RS-422)

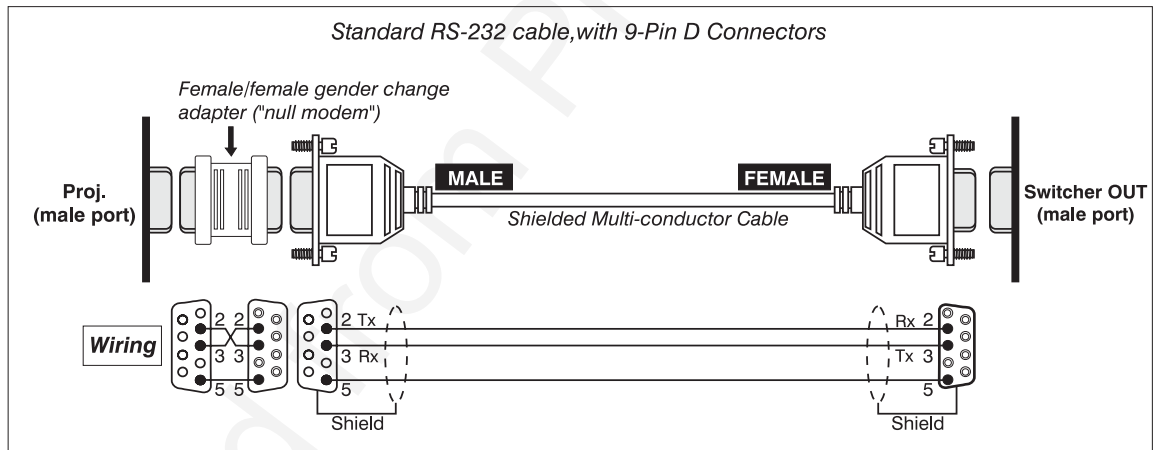


□ From projector to switcher, new installation



□ From projector to switcher, in existing Marquee installation

For adding a projector to an existing installation in which the switcher OUT port is used (such as with Marquee installations), add a gender-changing adapter at the projector port as shown:

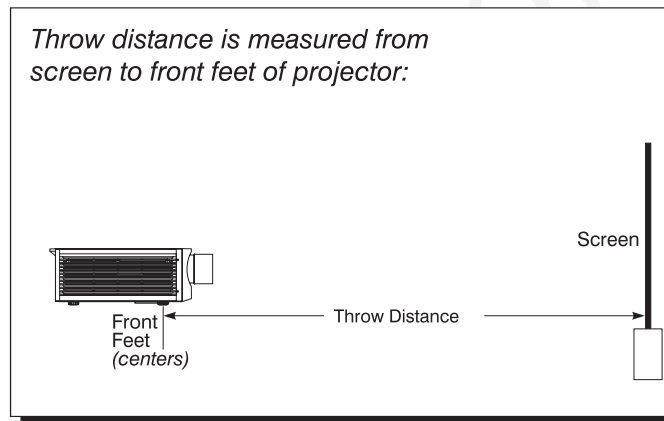


# Throw Distance

Always consult this Appendix when planning a projector installation. See also 2.3, *Projector Position and Mounting*.

### Calculating Throw Distance

Correct throw distance depends on the screen size and lens present—the larger the image needed, the greater the distance you must allow between the lens and screen. Once you know the screen size and lens type present, you can calculate the precise throw distance you



require by using the appropriate formula as found in this appendix.

Throw distance is the distance between the projector front feet and the screen. This measurement is not necessarily parallel to the floor—i.e., the projector and screen may be inclined.

*NOTE: If your projector is tilted up or down in relation to the screen, as*

*is sometimes the case for large venues or elevated installations, throw distance still represents the smallest measurement between the screen and front feet center axes.*

Pre-calculated throw distances for the complete range of lens types and screen sizes appear in the charts and graphs on the following pages. Refer to these examples to quickly determine the proper throw distance ( $\pm 5\%$ ) for your installation and lens.


*NOTE: Variable operating ranges for zoom lenses appear in graphs only.*


**Table E-1. Throw Distance Formulas**

Lens Throw Ratio	Throw Distance Formula (ft.) $\pm 5\%$	Diagonal Screen Size $\swarrow$ (ft.)
0.8:1 (VistaGRAPHX)	.79 x screen width ( $\leftrightarrow$ ft.) + .81	5-25
1.2:1	1.24 x screen width ( $\leftrightarrow$ ft.) + .82	5-30
1.5-2.2:1 zoom	Min: 1.52 x screen width ( $\leftrightarrow$ ft.) + .57 Max: 2.26 x screen width ( $\leftrightarrow$ ft.) + .44	5-40
2.2-4:1 zoom	Min: 2.23 x screen width ( $\leftrightarrow$ ft.) + .61 Max: 4.09 x screen width ( $\leftrightarrow$ ft.) + .36	5-40
2.5-4:1 zoom (VistaGRAPHX)	Min: 2.44 x screen width ( $\leftrightarrow$ ft.) + .90 Max: 3.92 x screen width ( $\leftrightarrow$ ft.) + .72	5-40
4-7:1 zoom	Min: 4.03 x screen width ( $\leftrightarrow$ ft.) + .57 Max: 7.13 x screen width ( $\leftrightarrow$ ft.) + .27	8-40
4-7: zoom (VistaGRAPHX)	Min: 3.93 x screen width ( $\leftrightarrow$ ft.) + .66 Max: 6.85 x screen width ( $\leftrightarrow$ ft.) + .51	10-40

*NOTES: 1) Make sure to use HORIZONTAL screen size in all formulas. 2) The 0.8:1 lens is not recommended for use in "S" models.*

**0.8:1 Fixed Lens and 1.2:1 Fixed Lens**

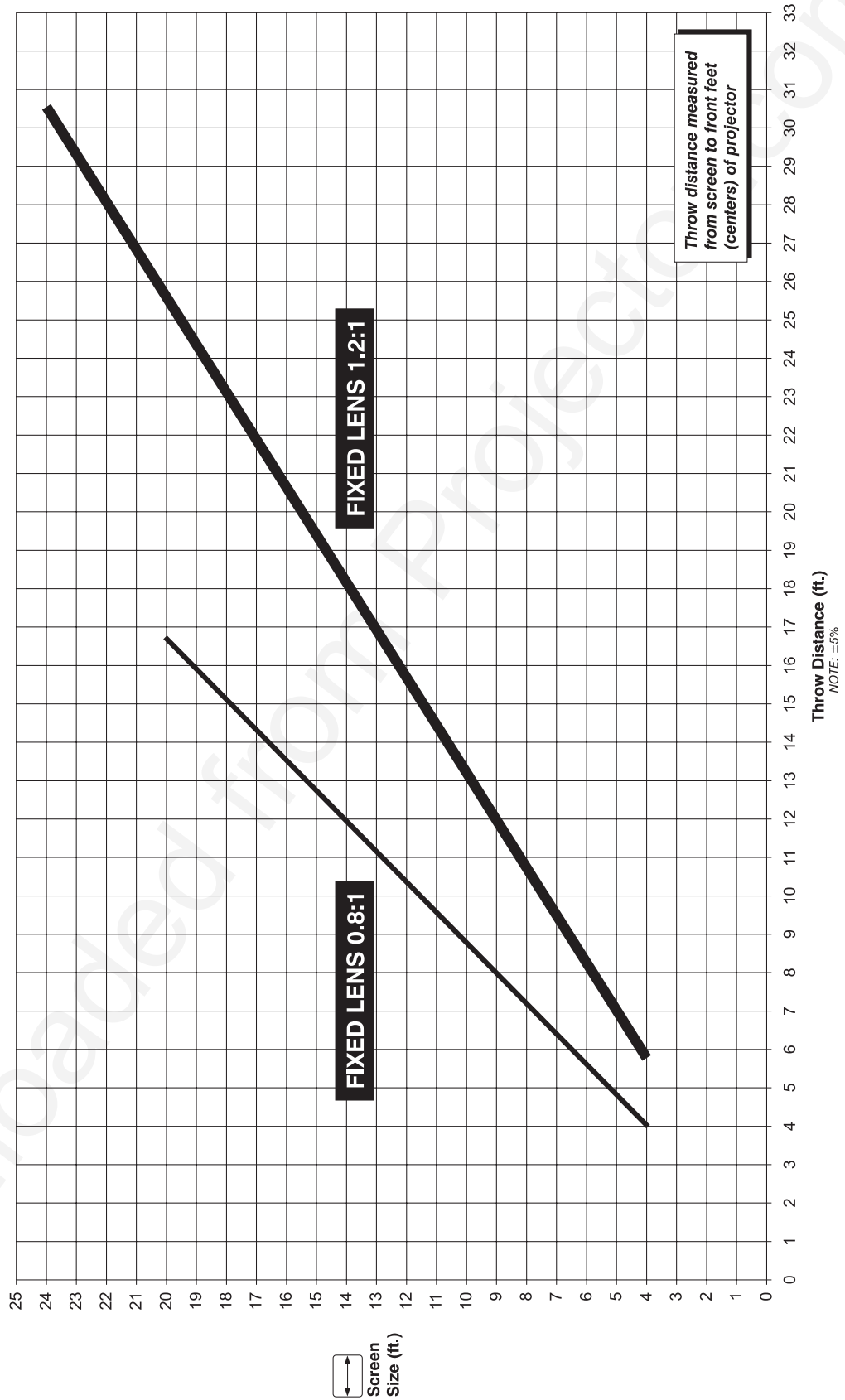
0.8:1 Lens	
 Screen Width (ft)	Throw Distance (ft) *
4	3.98
4.5	4.37
5	4.77
5.5	5.16
6	5.56
6.5	5.96
7	6.35
7.5	6.75
8	7.14
8.5	7.54
9	7.93
9.5	8.33
10	8.73
10.5	9.12
11	9.52
11.5	9.91
12	10.31
12.5	10.71
13	11.10
13.5	11.50
14	11.89
14.5	12.29
15	12.68
15.5	13.08
16	13.48
16.5	13.87
17	14.27
17.5	14.66
18	15.06
18.5	15.45
19	15.85
19.5	16.25
20	16.64

1.2:1 Lens	
 Screen Width (ft)	Throw Distance (ft) *
4	5.78
4.5	6.40
5	7.02
5.5	7.64
6	8.25
6.5	8.87
7	9.49
7.5	10.11
8	10.73
8.5	11.35
9	11.97
9.5	12.59
10	13.21
10.5	13.83
11	14.45
11.5	15.07
12	15.69
12.5	16.30
13	16.92
13.5	17.54
14	18.16
14.5	18.78
15	19.40
15.5	20.02
16	20.64
16.5	21.26
17	21.88
17.5	22.50
18	23.12
18.5	23.73
19	24.35
19.5	24.97
20	25.59
20.5	26.21
21	26.83
21.5	27.45
22	28.07
22.5	28.69
23	29.31
23.5	29.93
24	30.55

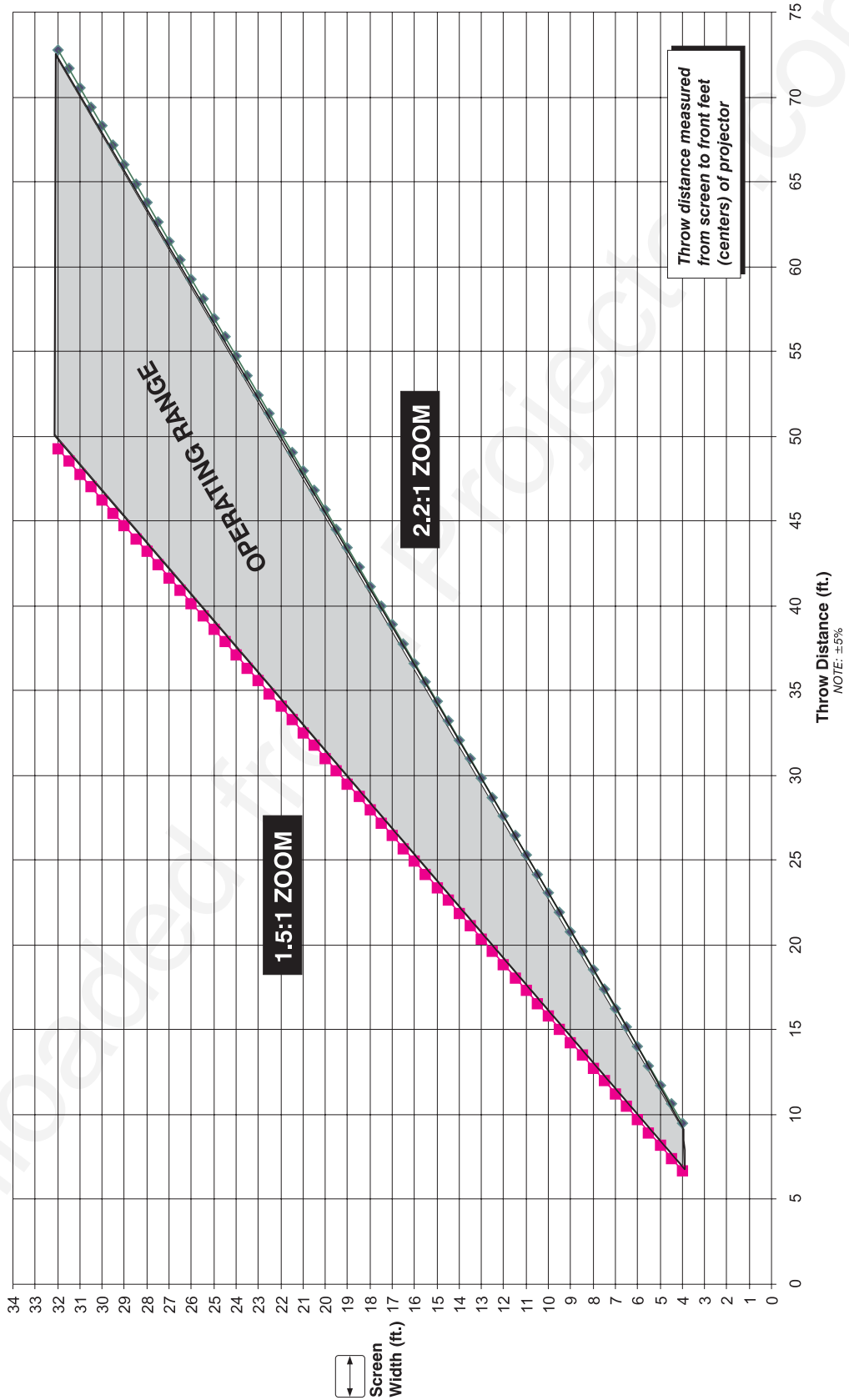
\*NOTE: ±5%

**0.8:1 Vistagraph Fixed Lens\* and 1.2:1 Fixed Lens**

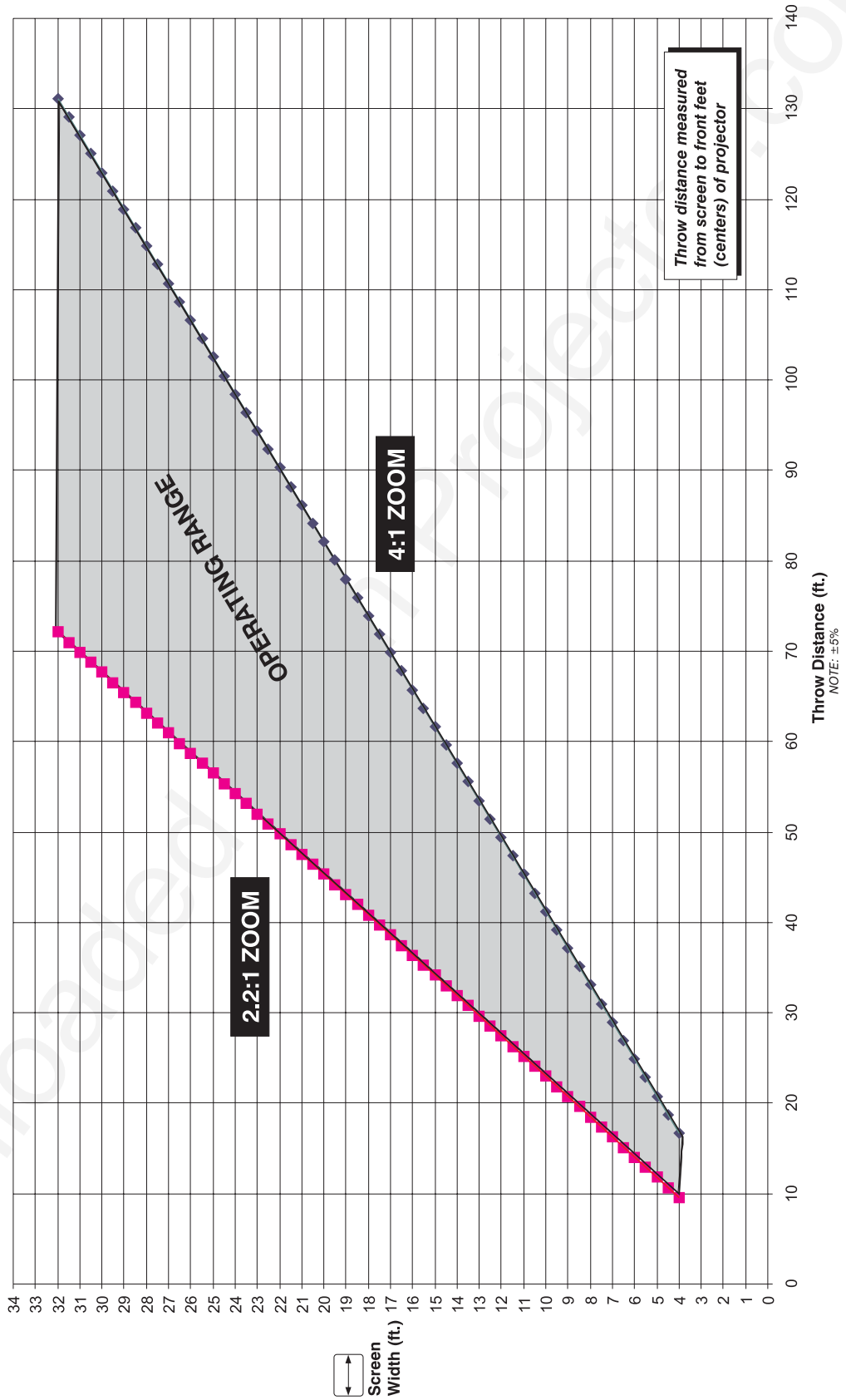
\* NOTE: The 0.8:1 lens requires threaded Vistagraph Lens Adapter



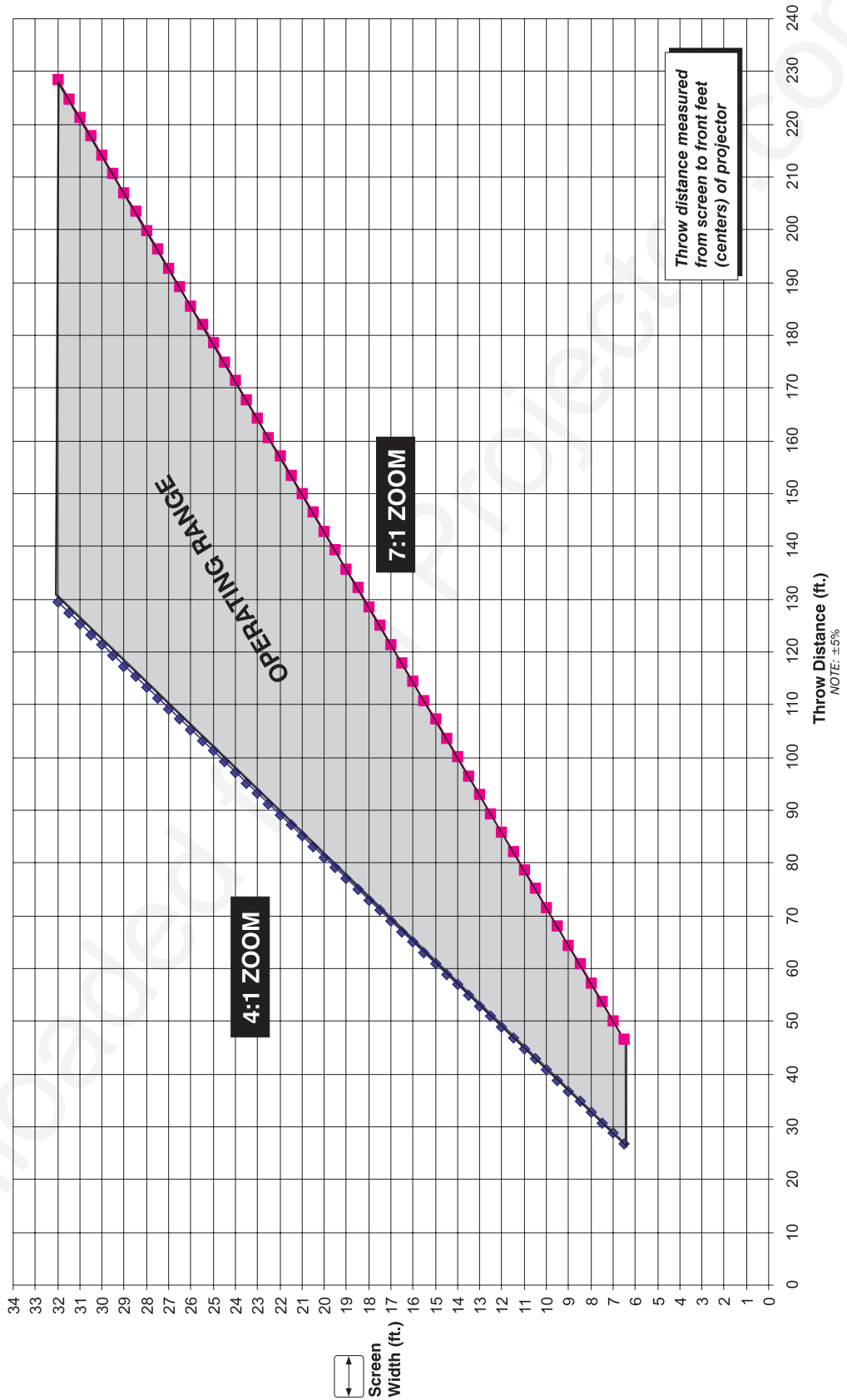
1.5-2.2:1 Zoom Lens



2.2-4:1 Zoom Lens



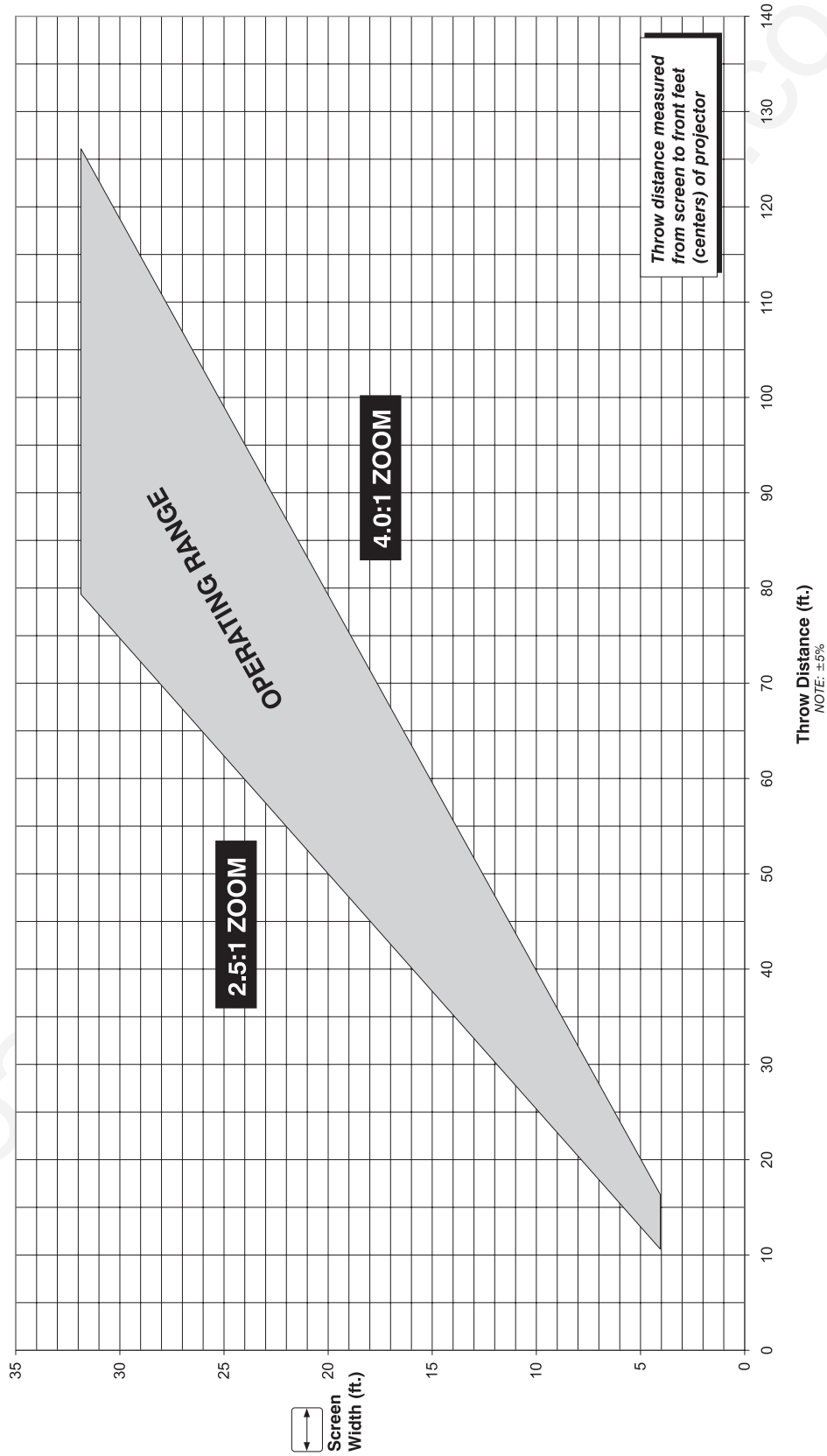
4-7:1 Zoom Lens





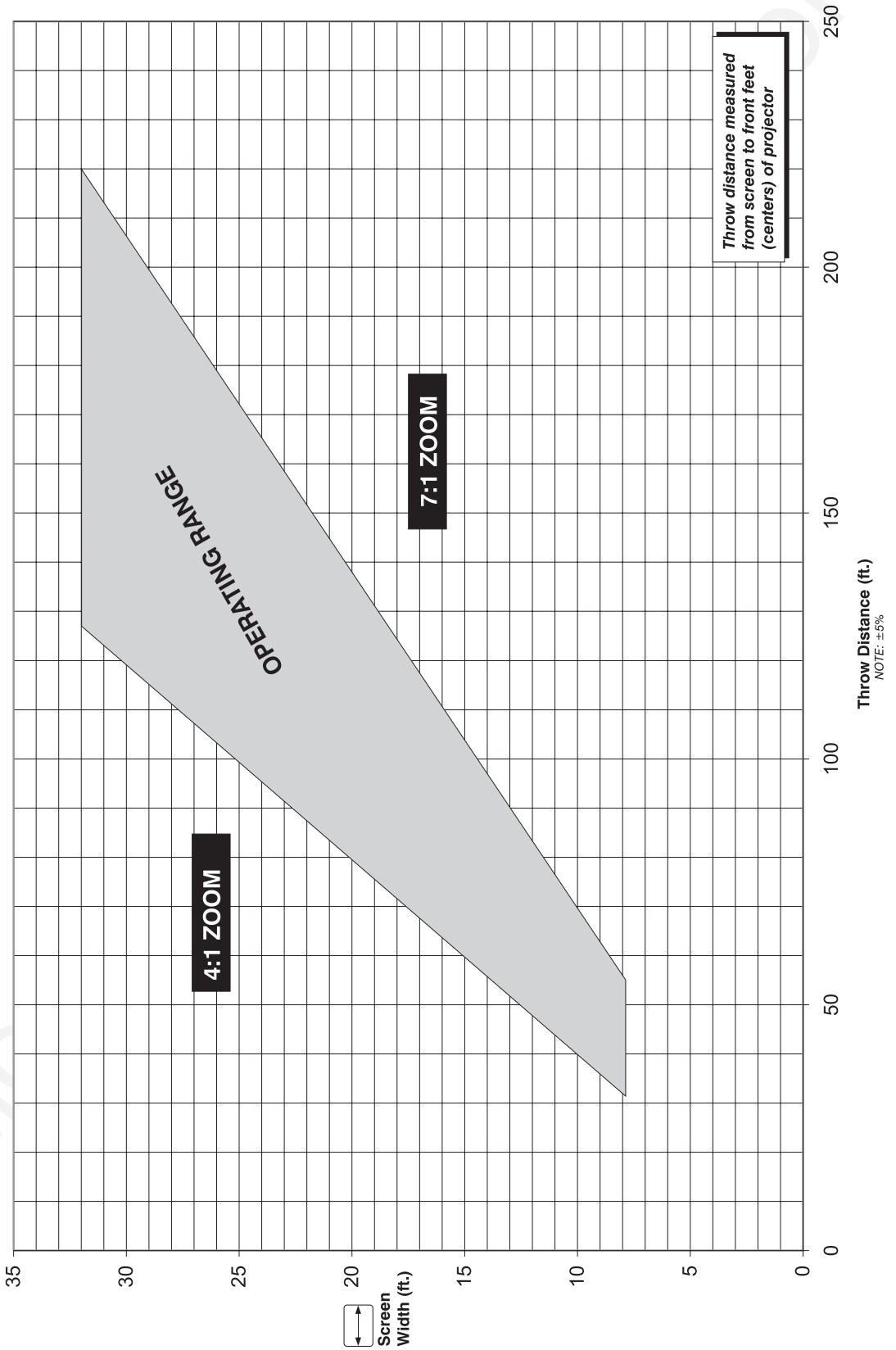
**2.5-4:1 VistaGRAPH<sup>®</sup> Zoom Lens**

NOTE: Requires threaded VistaGRAPH Lens Adapter



**4-7:1 VistaGRAPH<sup>®</sup> Zoom Lens**

NOTE: Requires threaded VistaGRAPHX Lens Adapter

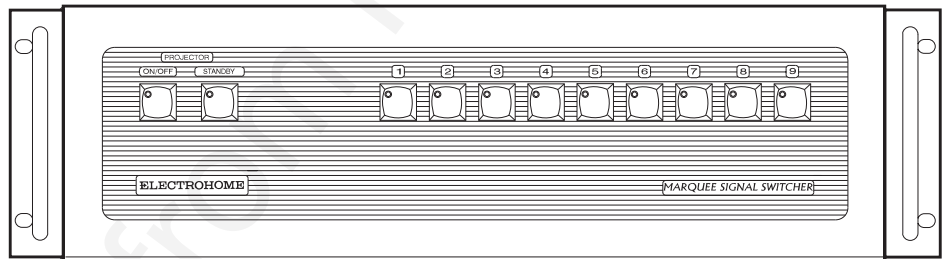


# Optional Input Modules

There are many optional input modules and accessories currently available for this projector. Contact your dealer for a complete and up-to-date listing.

## **Marquee Signal Switcher 38-801050-xx**

The *Marquee Signal Switcher* is a rack-mountable signal selector which can greatly increase the number of analog sources (inputs) available to the projector. Connected to **INPUT 1**, a single switcher provides up to 9 more sources to the projector. Additional *Marquee Signal Switchers* can be connected to the first, with their input locations (switcher#,slot#) selectable through the **[Input]** key on the keypad. Switcher inputs can also be selected at the switcher by pressing the appropriate front panel push-button, or through serial communications. See *Section 2*.

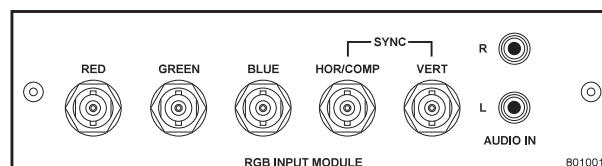


### **Marquee Signal Switcher Features**

- ◇ simple connection and push-button control
- ◇ easy to see, illuminated indicators
- ◇ 9 slots for analog interface modules
- ◇ RS-232 serial interface
- ◇ input for a wired remote keypad
- ◇ universal power input
- ◇ up to 9 switchers can be daisy-chained together with a projector

## **RGB500 Input Module 38-804606-xx**

The *RGB500 Input Module* may be installed in this projector, a *Marquee Signal Switcher*, or a *Marquee Case/Power Supply*. The module receives analog RGB input signals from computers or other RGB source devices.



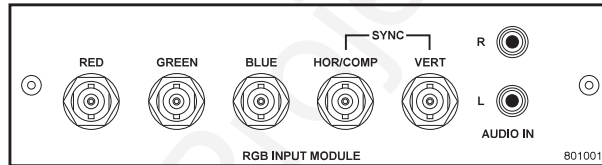
**RGB500 Features**

- ◇ accepts 3, 4, or 5 wire RGB video (sync-on-green, composite sync, or separate horizontal and vertical sync), up to 500 MHz bandwidth
- ◇ BNC connectors for RGB signal inputs

*NOTE: The audio connectors are not functional. Connect audio to the projector's IN 2 audio port, if available (standard on Vista models only).*

**RGB400BA Input Module  
38-804610-xx**

The *RGB400 Buffered Amplifier Input Module* may be installed in this projector, in a *Marquee Signal Switcher* or in a *Marquee Case/Power Supply*. Connect three-, four-, or five-wire RGB video signals of up to 400 MHz bandwidth, signals typically produced by high-resolution computer or workstations. The buffering capability of the module enables the incoming signal to be sent to a remote destination. Inputs are 75S terminated.



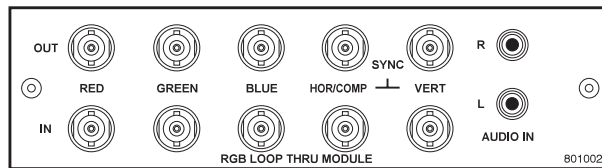
**RGB400BA Features**

- ◇ accepts 3, 4, or 5 wire RGB video (sync-on-green, composite sync, or separate horizontal and vertical sync)
- ◇ BNC connectors for RGB signal inputs
- ◇ Buffered signals to a remote destination

*NOTE: The audio connectors are not functional. Connect audio to the projector's IN 2 audio port, if available (standard on Vista models only).*

**RGB400 Active Loop-Thru  
Input Module  
38-804607-xx**

The *RGB400 ALT Input Module* may be installed in this projector, a *Marquee Signal Switcher*, or a *Marquee Case/Power Supply*. The module receives analog RGB input signals from computers or other RGB source devices. Video inputs are 75S terminated. Video outputs provide buffered loop-through to another display device.



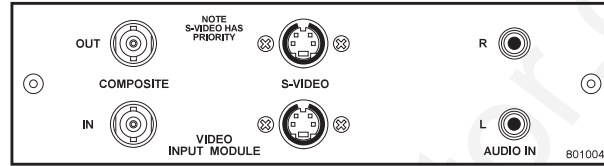
**RGB400ALT Features**

- ◇ accepts 3, 4, or 5 wire RGB video (sync-on-green, composite sync, or separate horizontal and vertical sync)
- ◇ BNC connectors for RGB signal inputs
- ◇ buffered loop-through video outputs

*NOTE: The audio connectors are not functional. Connect audio to the projector's IN 2 audio port, if available (standard on Vista models only).*

**Composite / S-Video  
Input Module  
38-804608-xx**

The Composite/S-Video Input Module may be installed in this projector, a *Marquee Signal Switcher* or a *Marquee Case/Power Supply*. The module receives either composite video or S-video input signals from tape or disk players (do not connect both types of signals simultaneously). Video inputs are 75S terminated. Video outputs are provided for buffered loop-through to another display device.



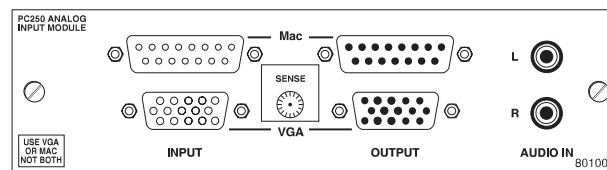
**Composite/S-video Features**

- ◇ BNC connectors for composite RGB signals
- ◇ 4-pin mini-DIN connectors for S-Video signals
- ◇ buffered loop-through video outputs

*NOTES: 1) This interface is not a decoder. NTSC, PAL, or SECAM signals must connect to the video decoder installed at **INPUT 3** / **INPUT 4**. 2) The audio connectors are not functional. Connect audio to the projector's **IN 2** audio port, if available (standard on **Vista** models only). 3) For use with this projector, do not connect **both** composite video and S-video signals to the Composite / S-Video Input Module—connect one or the other, even when plugged into a switcher.*

**PC250 Analog  
Input Module  
38-804609-xx**

The PC250 Analog Input Module may be installed in this projector, a *Marquee Signal Switcher* or a *Marquee Case/Power Supply*. The module receives analog RGB input signals from IBM PC compatibles or Macintosh computers. Video inputs are 75S terminated. Video outputs are provided for buffered loop-through to another display device.



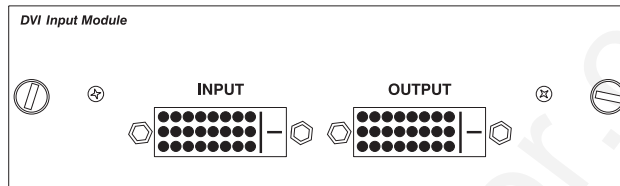
**PC250 Analog Features**

- ◇ accepts VGA or MAC RGB video
- ◇ 15 pin D connectors for video
- ◇ active loop-through video outputs

*NOTES: 1) This interface does not accept VGA and MAC signals simultaneously. 2) The audio connectors are not functional. Connect audio to the projector's **IN 2** audio port, if available (standard on **Vista** models only). 3) Trademarks are the rights of their respective owners.*

**DVI Input Module  
38-804635-xx**

The *DVI Input Module* can be installed in the projector at **INPUT 2** to display digital video input signals conforming to the DVI (Digital Visual Interface) single-channel standard.

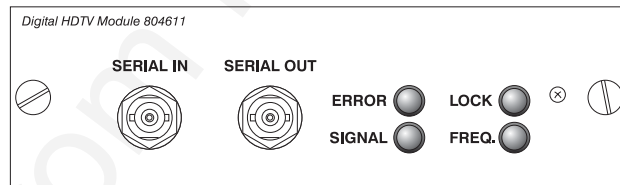


**Features**

- ◇ Supports Digital Visual Interface (DVI) single-channel
- ◇ Supports VESA® Extended Display Identification Data (EDID™)
- ◇ Provides an active-loop-through using a DVI connector (conforming to the DVI Specification)

**Digital HDTV Input Module  
38-804611-xx**

The *Digital HDTV Input Module* can be installed in the projector at **INPUT 2**, where it accepts a digital 4:2:2 component HDTV signal (YCbCr) via a single **SERIAL IN** BNC connector. The signal can loop through the **SERIAL OUT** BNC out to another device (such as another projector). Inputs are 75S terminated.

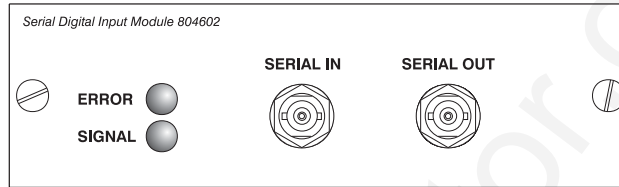


**Features**

- ◇ accepts a variety of digital HDTV 4:2:2 component signals (YCbCr), and de-serializes into a parallel 20-bit 4:2:2 component signal (10 bits each for Y and CbCr)
- ◇ SMPTE 292M compatible
- ◇ Two data rates: 1.485 Gb/sec or 1.485/1.001 Gb/sec.
- ◇ provides both a **SERIAL IN** and a **SERIAL OUT** BNC connector
- ◇ includes 4 status LEDs

**Serial Digital Input Module  
38-804602-xx**

The *Serial Digital Input Module (SDI)* can be installed in the projector at **INPUT 2**, where it accepts a serial digital 4:2:2 component video signal (YCbCr) via a single **SERIAL IN** BNC connector. The signal can loop through the **SERIAL OUT** BNC out to another device (such as another projector). Inputs are 75Ω terminated.



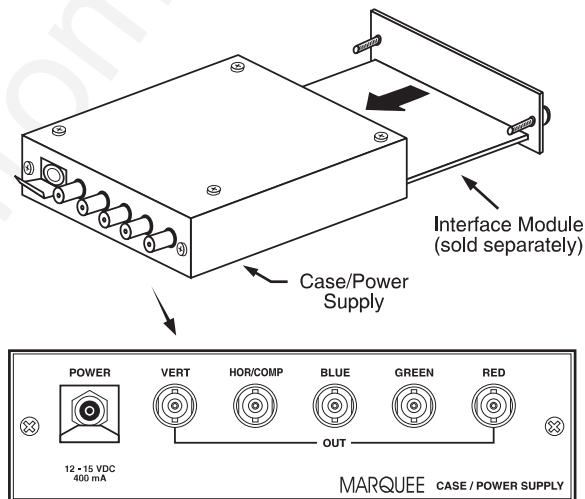
**SDI Features**

- ◇ accepts serial digital 4:2:2 component video (YCbCr)
- ◇ provides both a **SERIAL IN** and a **SERIAL OUT** BNC connector
- ◇ includes status LEDs for signal and error

*NOTE: Connect audio to the projector's IN 2 audio port, if available (standard on Vista models only).*

**Marquee  
Case/Power Supply  
38-801023-xx  
38-801026-xx**

The *Marquee Case/Power Supply* enables you to use an analog input module as a stand-alone interface. Two supplies are available: one for use with 120 volt line voltage (38-801023-XX), and the other for use with 220 volt line voltage (38-801026-XX). Both models include a 15 VDC, 500 mA AC adapter.



**Marquee Case/Power Supply Features**

- ◇ easy installation — no tools required
- ◇ the *Marquee Case/Power Supply* accepts the following input modules for use with this projector: *RBG500, RGB400 Active Loop-Thru, RGB400 Buffered Amplifier, Composite/S-Video, and PC Analog*. Digital inputs cannot be used.
- ◇ retaining clip to secure AC adapter
- ◇ non-slip feet
- ◇ supplied with 110 or 220 volt AC adapter





# Index

## A

AC Requirements, 2-1  
Advanced 10-bit (ADP), 3-39  
  Noise and Filtering, 3-40  
Anamorphic, 3-27  
  And Tiled Image, 3-54  
Arrow Keys, 3-8  
Aspect Ratio, 2-7, 3-25  
Audio, 5-2  
  Input 1, 2-16  
  Input 2, 2-22  
  Input 3, 2-18  
  Input 4, 2-19  
Auto Gain Control. *See* Enable Decoder AGC  
Auto Input Level, 3-37  
Auto Power Up, 3-43  
Auto Setup, 3-24  
AutoSource Checkbox, 3-23

## B

Back IR Keypad, 3-45  
Bad Sync, 3-55  
Baud Rate, 2-31, 3-44  
Blacklevels and Drives, 3-37  
Blanking, 3-29  
Brightness, 3-31, 5-1  
Brightness Key, 3-9, 3-31  
Broadcast Key, 3-46  
Broadcasting, 3-10, 3-52

## C

Calibrate Lens, 3-11  
Ceiling Mounting, 2-14  
Center Lens, 3-12  
Channel  
  Locked, 3-23  
  Name, 3-23  
  Number, 3-20, 3-23  
Channel Copy/Delete, 3-21  
Channel Edit Menu, 3-22  
Channel Key, 3-7, 3-19  
Channel Selection, 3-20  
Channel Setup Menu, 3-20  
  And Enter Key, 3-21

  And Function Key, 3-21

Channels  
  Creating automatically, 3-19  
  Creating in Channel Setup Menu, 3-21, 3-22  
  Definition of, 3-19  
  Deleting in Channel Setup Menu, 3-22  
  Maximum Number, 3-18  
Checkbox Toggles, 3-16  
Clamp Tip, 3-38  
Color (Adj.), 3-32  
Color and Uniformity Menu, 3-42  
Color Enable, 3-34, 3-38  
Color Key, 3-9  
Color Setup Menu, 3-32  
Color Space, 3-31  
Color Temperature, 5-1  
  How to Copy, 3-34  
  Interpolated, 3-34  
  Modifying a Setup, 3-34  
  Presets and Factory Presets, 3-35  
  User, 3-34  
Color Temperature Setup, 3-33  
Communications Menu, 3-42, 3-44  
Component Video, 2-17  
Components, 1-2  
  Location and Use, 3-1  
Composite Video  
  Connecting, 2-18  
  Extra, 2-22  
  Loop-Through, 2-20  
Configuration Menu, 3-41  
Contrast, 3-30  
Contrast Key, 3-9, 3-30  
Contrast Ratio, 5-1  
*Custom Sizing*, 3-26

## D

Dark Interval, 3-40  
Decoder Luma Delay, 3-36  
Detail, 3-31  
Detail Key, 3-9, 3-31  
Diagnostics and Calibration, 3-43  
Display Channel List, 3-41  
Display Error Messages, 3-42  
Display Slidebars, 3-42  
DVI / DFP Input Module, 3-30

**E**

Enable Decoder AGC, 3-36  
 Enter Key, 3-8  
 Error Messages, 3-54  
   Bad Sync, 3-55  
   H-Sync or V-Sync, 3-55  
   Input Signal Errors, 3-55  
   Invalid User Entry, 3-55  
   No Signal, 3-55  
   System Warnings/Errors, 3-55  
 Errors, 3-54  
 Exit Key, 3-8

**F**

Features, 1-1  
 Filter (Air) Replacement, 4-8  
 Filter (Air) Warning, 4-2  
 Filter (Image Adjustment), 3-28  
 Filter (Motion), 3-39  
 Flat Panel Sources, 3-30  
 Flying the Projector, 2-3  
 Focus, 2-2, 2-7, 2-25, 3-2  
   Troubleshooting for Motorized, 4-14  
 Folded Optics, 2-15  
 Formats  
   Video, 5-2  
 Freeze Image, 3-43  
 Front IR Keypad, 3-45  
 Full Height, 3-27  
 Full Screen, 3-26  
 Full Width, 3-26  
 Function Key, 3-12

**G**

Gamma, 3-32  
 Geometry Menu, 3-42  
 Global Icon, 3-15

**H**

Handles, 2-3, 3-2  
 HDTV Connection, 2-22  
 Help  
   Context-sensitive, 3-14  
   Help Key, 3-13  
 Hoisting, 2-3  
   Stacked Projectors, 2-5  
 Horizontal Filter, 3-40  
 Horizontal Position, 3-29

**I**

ILS, 2-25, 3-11  
   Operating Tips, 2-26  
   Troubleshooting, 4-14  
 Image Adjustments, 3-24  
 Image Orientation, 2-24, 3-41  
 Image Settings, 3-30  
 InMenu Checkbox, 3-23  
 Input  
   Connection, 2-1, 2-15

  Definition of, 3-18  
   Selecting/Switching, 3-18  
   Selection, 2-2

Input 1, 2-16  
   Extra Video Sources, 2-22  
 Input 2, 2-22  
 Input 3  
   Connection, 2-18  
 Input 4  
   Connection, 2-18, 2-19  
 Input Key, 3-7, 3-19  
 Input Levels, 3-36  
 Input Video Black, 3-35  
 Installation  
   Front Screen, 2-6  
   General Considerations, 2-3  
   Horizontal Position, 2-13  
   Leveling, 2-14  
   Quick Setup, 2-1  
   Rear Screen, 2-7, 2-15  
   Room Lighting, 2-8  
   Types, 2-6  
   Vertical Position, 2-11  
 Intelligent Lens System  
   Description and Use, 2-25, 3-11  
   Operating Tips, 2-26  
   Troubleshooting, 4-14  
 Intensity (Lamp Mode), 3-49  
 Interfaces, Optional, 2-22  
 Interpolated, 3-34  
 Interpolated Color, 3-32, 3-34  
 Invalid Channel, 3-55  
 Invert Stereo3D, 3-40  
 IR Sensors, 3-4, 3-45

**K**

Keypad  
   Guidelines, 3-6  
   Types, 3-5  
 Keypad Batteries, 4-3  
 Keypad Protocol, 2-34, 3-13, 3-45, 4-13  
   Changing in Keypad, 2-34  
   Conflicts, 2-36  
   Default, 2-34, 3-13  
   Hard-wired, 2-34  
   Software Method, 2-36  
 Keypad, Built-in, 3-5  
 Keypad, IR Remote, 4-3  
   Description and Use, 3-5  
   Specifications, 5-4  
 Keypad, Wired, 3-6, 3-45  
 Keystone, 2-11, 3-29

**L**

Lamp  
   Cleaning, 4-3  
   Mode, 3-48  
   Recording Serial Number, 3-50  
   Specifications, 5-3  
 Lamp Counter, 4-4  
 Lamp History, 3-50  
 Lamp Hours, 3-47

- Lamp Limit, 3-48
- Lamp Menu, 3-47
- Lamp Message, 3-47
- Lamp Modes
  - Intensity, 3-48
  - Max Brightness, 3-48
  - Power, 3-48
- Lamp Replacement
  - Warning, 4-2
- Lamp Replacement Procedure, 4-4
- Lamp Serial Number, 3-47, 4-8
- Language, 3-41
- LCD Status Display, 3-4
- LEDs, Status, 3-4, 3-56
- Lens
  - Calibration, 3-11
  - Centering, 3-12
  - Cleaning, 4-3
  - Motorized Functions, 3-10
  - Offset Adjustment, 2-25
  - Types Available and Specs, 5-1
- Lens Control Menu, 3-11
- Lens Installation/Replacement, 4-9
- Lens Key, 3-11
- Leveling, 2-1, 2-14, 2-24
  - Special Mounting, 2-14
- Lifting, 2-3
- Locked Channel Checkbox, 3-23
- Luma Delay, 3-36

## M

- Main Menu, 3-14
- Menu
  - Channel Edit, 3-22
  - Channel Setup, 3-20
  - Color and Uniformity, 3-42
  - Color Setup, 3-32
  - Color Temperature Setup, 3-33
  - Communications, 3-42, 3-44
  - Configuration, 3-41
  - Diagnostics and Calibration, 3-43
  - Geometry, 3-42
  - Image Settings, 3-30
  - Input Levels, 3-36
  - Lamp, 3-47
  - Lens Control, 3-11
  - Main, 3-14
  - Menu Preferences, 3-41
  - Odd Pixel Adjustment, 3-43
  - Service, 3-44
  - Size and Position, 3-25
  - Status, 3-50
  - Tiling Setup, 3-52
  - Video Options, 3-35
- Menu Font Size, 3-42
- Menu Key, 3-8
- Menu Location on Screen, 3-41
- Menu Navigation, 3-14
- Menu Preferences Menu, 3-41
- Menu System, Navigation, 3-24
- Minimum Delay, 3-39
- Motion Filter, 3-39
- Motorized Lens Functions, 2-25, 3-10

- Disabling, 4-16
- Mounting, 2-14
- Moving the Projector, 2-3
- Multiple Projectors, 2-34, 3-51
  - And Tiling an Image, 3-52
- Mute Key, 3-12

## N

- Network, Split. See Split Network*
- Networks, 2-31
  - Providing a Back-up, 2-32
  - RS-232 and/or RS-422, 2-29
- No Resizing, 3-26
- No Signal, 3-55
- Noise Reduction, 3-40
- Numerical Entry, 3-18

## O

- Odd Pixel Adjustment, 3-43
- Offset Knobs, 2-2
- Offsets, 2-25, 3-2
  - Horizontal, 2-13
  - Removing, 3-12
  - Vertical, 2-11
- Optional Modules, 2-22
- Options, 5-5
- OSD Key (On-Screen Display), 3-13

## P

- Peak Detector, 3-38
- Phase Lock Loop, 3-29
- Pixel Key, 3-10
- Pixel Phase, 3-28, 3-31
- Pixel Tracking, 3-27, 4-16
- PLL Loop Gain, 3-29
- Plug & Display, 3-30
- Position Key, 3-10
- Power
  - Loss, 3-43
  - Requirements, 2-24, 5-3
  - Setting for Lamp, 3-49
  - Warning, 4-2
- Power Key, 3-6
- Presentation Level
  - Definition, 3-6
- Processing Mode, 3-39
- Proj Key, 3-10
- Projector
  - Angles of Operation, 2-14
  - Cleaning/Maintenance, 4-3
  - Components, 1-2, 3-1, 5-4
  - Dimensions, 5-4
  - Hoisting, 3-2
  - Number, 3-18, 3-46, 3-51
  - Position and Mounting, 2-24
  - Resetting, 3-4, 3-56
  - Service, 4-3
  - Ventilation, 2-9, 4-2
- Protocols, 2-34, 3-45
  - Changing, 2-34
  - Changing in Projector, 3-45

Pull-Down Lists, Use of, 3-16

## R

Resizing, 3-25  
 A Tiled Image, 3-53  
 Default, 2-2  
 Resolution, 5-1  
 RGB  
 Connection, 3-3  
 Frequencies, 5-2  
 RS-232, 2-23, 2-27, 2-29, 2-34, 3-44, 3-51, 3-52, 5-2  
 RS-232 and/or RS-422, 2-32  
 RS-422, 2-28, 3-44, 3-51, 5-3

## S

Screen Size, 2-7, 2-10, 2-11, 4-15  
 Select Color Temp, 3-32, 3-34  
 Serial Ports  
 Communication Cables, 3-44  
 Service Menu, 3-44  
 Service Requirements, 4-3  
 Shutter, 3-2  
 Shutter Key, 3-12  
 Signal Types, 3-21  
 Size. *See* Sizing  
 Size and Position, 3-25  
 Sizing, 3-25, 3-27  
 Slidebars  
 Using, 3-15  
 Slidebars, "Direct", 3-24  
 Slot, 3-23  
 Source  
 Connection, 2-1  
 Specifying a Location, 3-7  
 Source Setup. *See* Channel  
 Split Network, 3-46  
 And Downloads, 2-32  
 Options for Setup, 2-32  
**When to Use, 3-46**  
 Stacking, 2-3, 2-4  
 Standby Key, 3-8  
 Status LEDs, 3-3  
 Status Menu, 3-50  
 S-Video  
 Connecting, 2-19  
 Extra, 2-22  
 Loop Through, 2-21  
 Switcher, 3-23, 3-44  
 Switcher Connection, 2-23  
 Sync  
 Def. and types, 5

## T

Test Key, 3-13  
 Test Patterns, 3-42  
 Text  
 Editing, 3-17  
 Throw Distance, 2-1, 4-16  
 Definition, 2-10  
 Sample, 2-11  
 Tiling Setup, 3-52  
 Resizing, 3-53  
 Time-outs, 3-15  
 Tint Key, 3-9, 3-32  
 Toggle Keys, 3-8  
 Troubleshooting, 4-12  
 Two-Way Controller, 3-6

## U

User Color Temperatures, 3-34

## V

VCR Checkbox, 3-36  
 Vertical Offset  
 How to Adjust, 3-2  
 Vertical Position, 3-29  
 Vertical Stretch, 3-27  
 Video, 3-3  
 Formats, 5-2  
 Video Options, 3-35  
 Video Standard, 3-35  
 Video Termination, 2-20, 2-21, 3-36  
 Volume Key, 3-9

## W

White Boost, 3-40  
 White Levels, 3-34  
 Wired Keypad, 3-45

## Y

YPbPr, 3-31  
 Connecting, 2-17

## Z

Zoom, 2-2, 2-25, 3-2  
 Troubleshooting for Motorized, 4-14

## **PLEASE READ**

This manual is provided as a free service by Projector.com.

We are in no way responsible for the contents of the manual. We do not guarantee its accuracy and we do not make any claim of copyright. The copyright remains the property of their respective owners.

## **ABOUT PROJECTOR.COM**

Projector.com (<http://www.projector.com>) is your review and buying guide resource for DLP and LCD video projectors.

Visit the site to read the latest projector news and reviews, read and comment on projector specifications, download user manuals and much more.